

*American Standard*

**TOWNSQUARE  
BATH/SHOWER TRIM KIT**

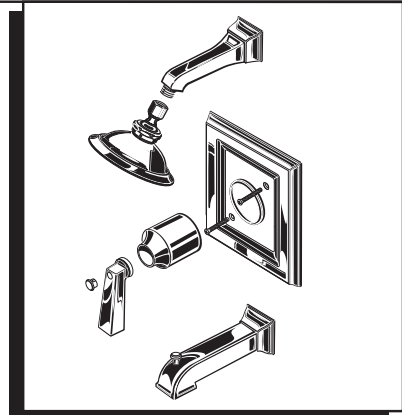
**PRESSURE BALANCING BATH  
AND SHOWER TRIM KIT**

**Installation  
Instructions**

**T555.500**

**T555.501**

**T555.502**



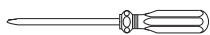
Certified to comply with ANSI A112.18.1

M968235 Rev. 1.3

*Thank you for selecting American-Standard...the benchmark of fine quality for over 100 years.*

*To ensure that your installation proceeds smoothly—please read these instructions carefully before you begin.*

**Required Tools**



Phillips Screwdriver



Flat Blade Screwdriver



Adjustable Wrench



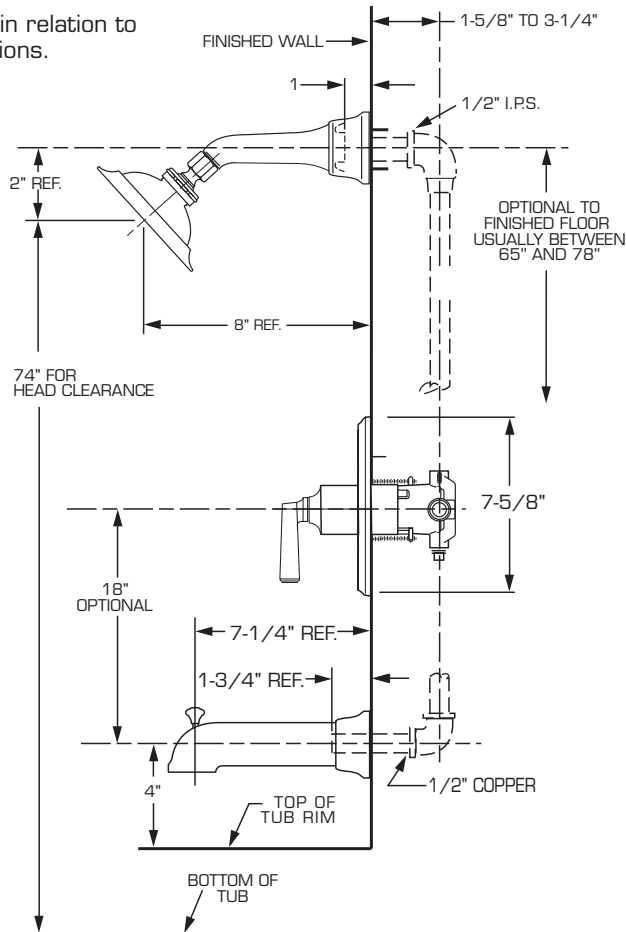
Channel Locks



Plumbers' Putty or Caulking

**ROUGHING-IN DIMENSIONS**

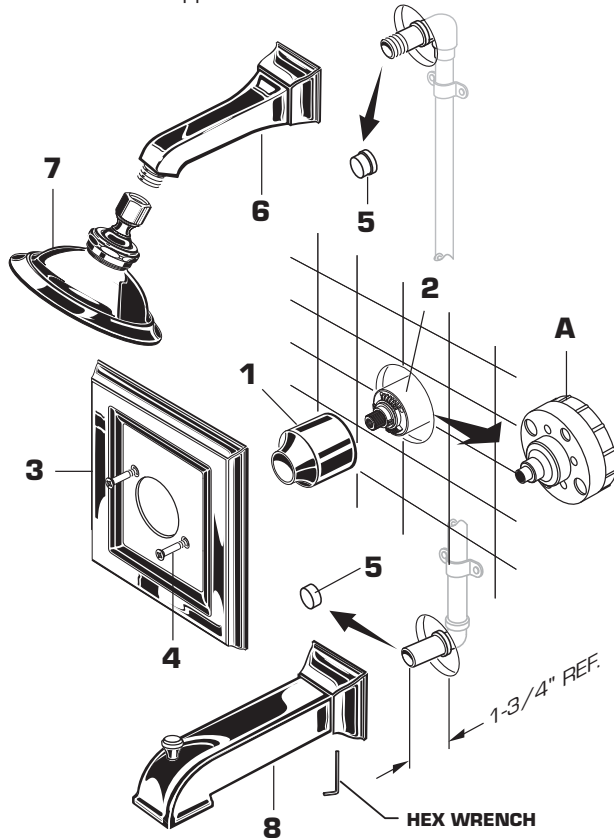
- To assure proper positioning in relation to wall, note roughing-in dimensions.



# 1 INSTALL TRIM

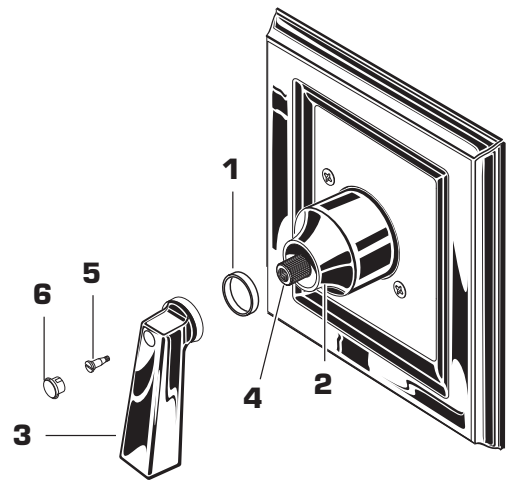
**CAUTION: Protect finish on SHOWER ARM, SHOWER HEAD and TUB SPOUT when installing.**

- When finished tiling the wall, remove PLASTER GUARD (A) and turn off water supply.
- Push CAP (1) over VALVE CARTRIDGE (2).
- Mount ESCUTCHEON (3) to valve body with SCREWS (4).
- Remove PIPE CAPS (5) from shower pipe and tub filler pipe.
- Install SHOWER ARM (6), SHOWER HEAD (7) by threading onto pipe nipples using teflon tape or pipe sealant.
- Install SLIP-ON TUB SPOUT (8). Tighten with HEX WRENCH supplied.



# 2 INSTALL HANDLE

- Install HANDLE BUSHING (1) onto CAP (2).
- Find correct position of HANDLE (3) and push HANDLE (3) onto VALVE STEM (4).
- Install HANDLE SCREW (5) and push in INDEX CAP (6).
- Check proper operation of HANDLE.
- Turn water supply on and test installed fitting. Operate valve and diverter spout.



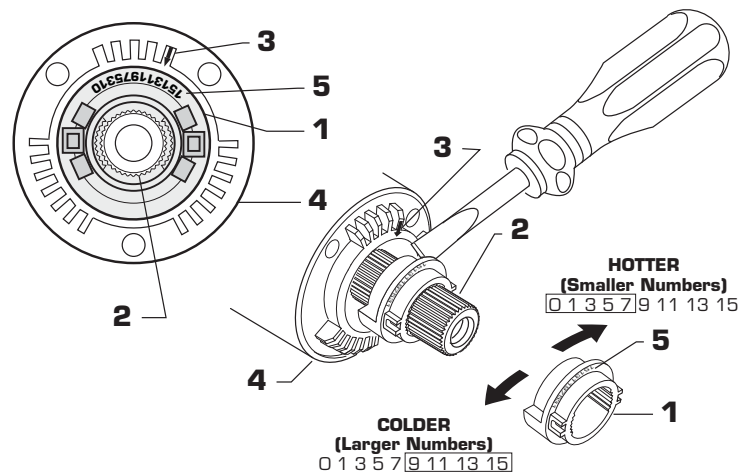
# 3 ADJUST HOT LIMIT STOP

■ By restricting HANDLE rotation and limiting the amount of hot water allowed to mix with the cold, the HOT LIMIT SAFETY STOP (1) reduces risk of accidental scalding. To set the maximum hot water temperature of your faucet, you need to adjust the setting on the HOT LIMIT SAFETY STOP (1).

■ Turn CARTRIDGE STEM (2) to the OFF position (coldest setting) before making adjustment to HOT LIMIT SAFETY STOP (1). Use a flat blade screwdriver to pry free the HOT LIMIT SAFETY STOP (1).

Pull forward and rotate counterclockwise one number to limit hot water temperature.

Use ARROW (3) on CARTRIDGE (4) and NUMBERS (5) on HOT LIMIT STOP (1) for indication.



## 4 TO GAIN ACCESS TO VALVE FOR SERVICING

- Pull INDEX CAP, unscrew HANDLE SCREW and pull HANDLE off valve stem.
- Remove two SCREWS holding ESCUTCHEON and remove ESCUTCHEON.
- Remove COVER by pulling straight out.
- Shut off water supply by either closing off main water supply, or closing off the hot and cold CHECK STOPS on valve.

### VALVE LEAKS WHEN SHUT OFF

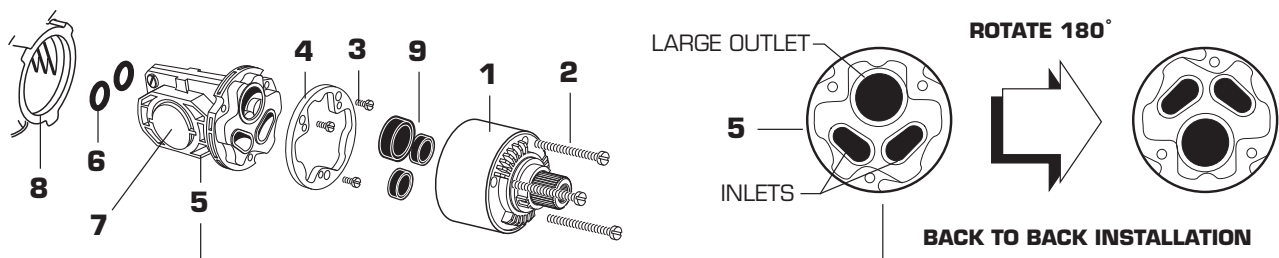
- Remove CARTRIDGE (1) by removing CARTRIDGE SCREWS (2). Remove three SCREWS (3) from FIXATION RING (4) and pull out PRESSURE BALANCING (5) unit.
- Clean SEALS (9) on base of CARTRIDGE (1). Check base of PRESSURE BALANCING UNIT (5) and clean O-RINGS (6). Remove CAPS (7) and check O-RINGS on inside of CAPS (7) for debris. Clean inside sealing surfaces of VALVE BODY (8). Re-assemble PRESSURE BALANCING UNIT (5) and CARTRIDGE (1). Tighten all screws.
- Turn on water supply and see above for installing TRIM and HANDLE. If it still leaks, replace pressure balancing unit (M952100-0070A).

### UNABLE TO MAINTAIN CONSTANT TEMPERATURE

- Remove PRESSURE BALANCE UNIT (5).
- Remove CAPS (7) and clean valve thoroughly.
- Examine balancing unit and check condition of O-ring on end of piston. Piston should move back and forth. Order Repair Part M952100-0070A if balancing unit is defective.
- Replace CAPS (7) and install PRESSURE BALANCE UNIT (5). Make sure inlets line up with two holes in bottom of casting. Top flange should butt-up against top of casting.

### BACK TO BACK INSTALLATION

- Remove PRESSURE BALANCE UNIT (5). Rotate PRESSURE BALANCE UNIT (5) 180° so that the inlets face up and the large outlet port faces down.
- Push PRESSURE BALANCE UNIT (5) in casting make sure inlets line up with holes in bottom of casting. Top flange should butt up against top of casting. Reassemble FIXATION RING (4) and CARTRIDGE (1).



## 5 CARE INSTRUCTIONS:

**DO: SIMPLY RINSE THE PRODUCT CLEAN WITH CLEAR WATER. DRY WITH A SOFT COTTON FLANNEL CLOTH.**  
**DO NOT: DO NOT CLEAN THE PRODUCT WITH SOAPS, ACID, POLISH, ABRASIVES, HARSH CLEANERS, OR A CLOTH WITH A COARSE SURFACE.**