

# Aqua-Pure®

Spec # \_\_\_\_\_

Quantity \_\_\_\_\_

## Models:

**AP817 / AP817-2**

**Whole House Water Filters**

### Applications:

- Sediment/Rust\*
- Chlorine Taste and Odor\*

### At a Glance:

- Polyethylene Outer Shell
- PolyKLEAN™ Center Core
- Granular Activated Carbon



AP817-2



AP817

### Product Benefits:

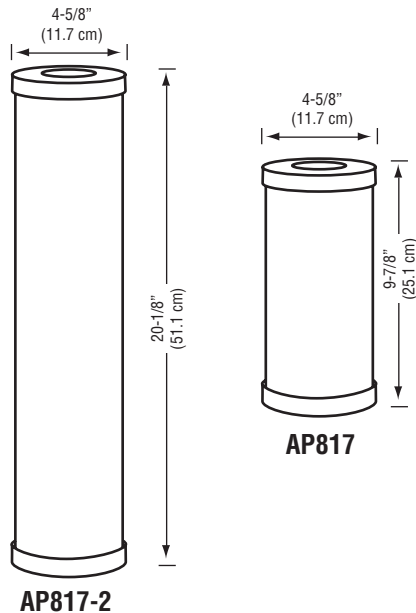
- 25 micron sediment is captured on the rigid polyethylene outer shell
- 40,000 gallon carbon reduction capacity at 10 gpm provides up to 6 months service for all your home's water
- Radial flow design allows for use of finer, more effective activated carbon and yields a very low pressure drop
- Double open ended design fits most large diameter housings. Cartridge will filter water regardless of which way it is installed in housing
- Neoprene gaskets on both top and bottom provide exceptional sealing in any housing, helping to prevent bypass of unfiltered water down-stream

### Product Specifications:

Model No. (Part No.)	Dimensions		Flow Rate	Max. Water Temp.	Degree of Filtration
	Height	Diameter			
AP817 (56027-01)	9-7/8" (25.1 cm)	4-5/8" (11.7 cm)	10 gpm (37.9 lpm)	100°F (37.8°C)	25 micron nominal
AP817-2 (56027-07)	20-1/8" (51.1 cm)	4-5/8" (11.7 cm)	20 gpm (75.7 lpm)	100°F (37.8°C)	25 micron nominal

\* Claims not tested or certified by NSF

# Aqua-Pure®



Spec # \_\_\_\_\_

Quantity \_\_\_\_\_

Model Number \_\_\_\_\_

Part Number \_\_\_\_\_

## Physical Specifications:

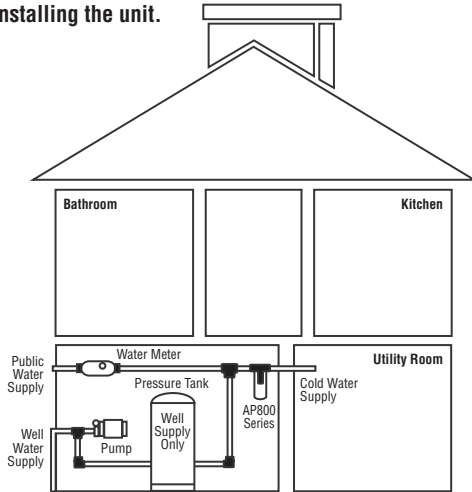
- Cartridge is manufactured from FDA CFR-21 compliant materials
- Cartridge has a maximum operating temperature of 100°F (37.8°C)
- Cartridge to be installed at point of entry

### Fits all CUNO and most competitive filter housings

AP817	AP817-2
AP801	AP802
AP801-C	AP802-1.5-C
AP801T-C	
AP801-1.5-C	

## Easy Installation:

**CAUTION:** Diagram shown is for reference purposes only. Read installation and operation manual prior to installing the unit.



**WARNING:** Do not use with water that is microbiologically unsafe or of unknown quality without adequate disinfection before or after the system.

CUNO Incorporated recommends regularly scheduled maintenance and replacement of the filter cartridge(s) in order for the product to perform as advertised/sold. **Change the filter cartridge at least every 6 months. Improper installation and maintenance may result in property damage due to water leakage.**

## Limited Warranty:

CUNO Incorporated warrants that this product is free from defects in materials and workmanship. This limited warranty, together with any and all warranties implied by law, shall be limited to a period of one (1) year from the date of original purchase. This limited warranty does not apply to failures that result from abuse, misuse, alteration or damage not caused by CUNO or failure to properly comply with these installation or cartridge change-out instructions. This limited warranty is subject to exclusions and limitations. Please refer to the Warranty Card provided with the product for details.

Distributed by:

CUNO, Aqua-Pure and PolyKLEAN are trademarks of 3M Company used under license. NSF is a trademark of NSF International. © 2007 3M Company. All rights reserved. LITAP932 0707



COMPONENT

Visit [www.nsf.org](http://www.nsf.org) for the claims associated with products that are NSF listed.



**CUNO Incorporated**  
 400 Research Parkway  
 Meriden, CT 06450 U.S.A.  
 Toll Free: 1.800.222.7880  
 Worldwide: 203.237.5541  
 Fax: 203.238.8701  
[www.aquapure.com](http://www.aquapure.com) • [www.cuno.com](http://www.cuno.com)