

TE Thermal Expansion Tank

DESCRIPTION

The Cash Acme TE Series Thermal Expansion Tanks are ideal for domestic hot water applications, designed to take up the expanded water within a water heater when a backflow device is installed on the heater inlet.

The Cash Acme TE Tanks feature materials suitable for use with potable water.

SIZES:

- TE-5 @ 2 gal
- TE-12 @ 5 gal
- TE-25 @ 9 gal

FEATURES AND BENEFITS

Welded Construction:

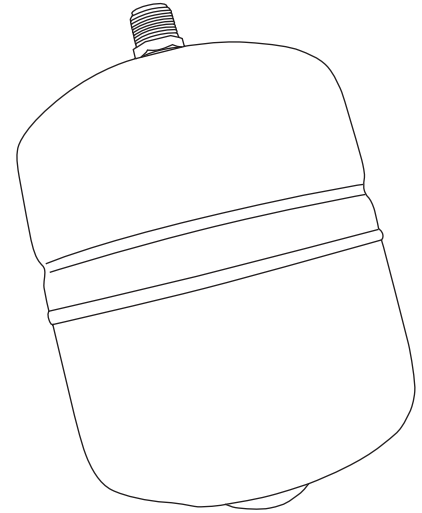
Ensures long and reliable service.

The tank connection has an internal plastic sleeve:

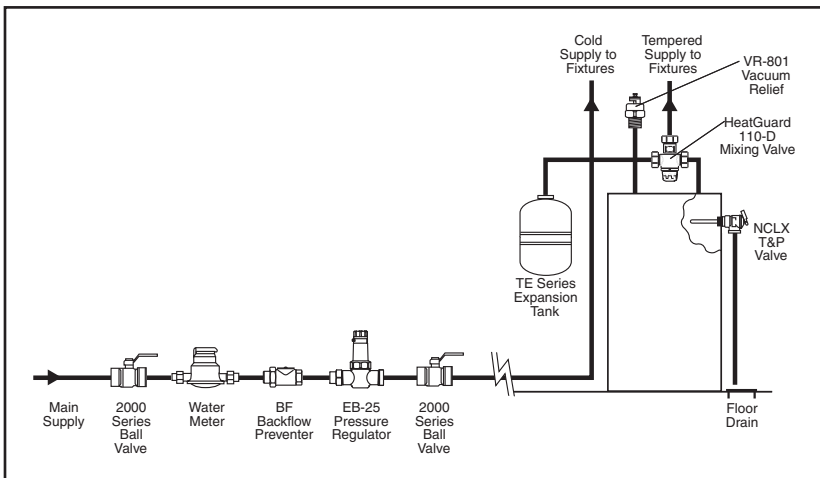
Protects against corrosion.

All models are factory precharged to 40 psi:

Efficient and economical.



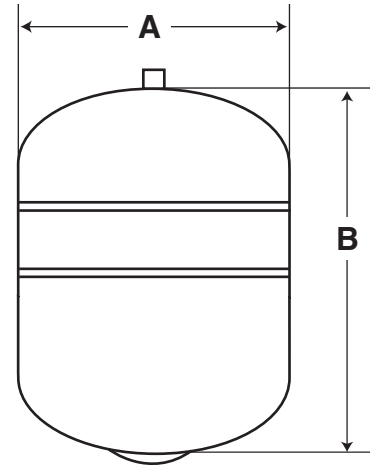
TYPICAL INSTALLATION



TE Thermal Expansion Tank

SPECIFICATION DATA

Model No.	TE-5	TE-12	TE-25
Capacity (Gallons)	2.0	5.0	9.2
Acceptance Volume (Gallons)	1.25	3.0	7.0
Factory Precharge (PSIG)	40	40	40
A - Diameter (Inches)	8-3/8"	11-3/8"	15-3/8"
B - Height (Inches)	12-1/2"	14-3/4"	15-3/4"
Weight (Pounds)	5	8	20



Performance:

Maximum temperature 180°F (82°C)
 Maximum working pressure 150 psi
 Service Domestic water

Materials:

Diaphragm Butyl
 Internal Lining Two Part Epoxy Lining
 Finish Epoxy Paint

CONNECTIONS

Threaded (NPT): 3/4" (TE 5, TE 12, TE 25)

TE Thermal Expansion Tanks - Quick Selection Table

Hot Water Tank Content	Max. Desired Press.(PSIG)	140°F	150°F	160°F	170°F	180°F
30 Gallons	90	TE-5	TE-5	TE-5	TE-5	TE-5
	100	TE-5	TE-5	TE-5	TE-5	TE-5
	120	TE-5	TE-5	TE-5	TE-5	TE-5
40 Gallons	90	TE-5	TE-5	TE-5	TE-5	TE-5
	100	TE-5	TE-5	TE-5	TE-5	TE-5
	120	TE-5	TE-5	TE-5	TE-5	TE-5
52 Gallons	90	TE-5	TE-5	TE-5	TE-5	TE-12
	100	TE-5	TE-5	TE-5	TE-5	TE-12
	120	TE-5	TE-5	TE-5	TE-5	TE-12
66 Gallons	90	TE-5	TE-12	TE-12	TE-12	TE-12
	100	TE-5	TE-12	TE-12	TE-12	TE-12
	120	TE-5	TE-12	TE-12	TE-12	TE-12
82 Gallons	90	TE-12	TE-12	TE-12	TE-12	TE-12
	100	TE-12	TE-12	TE-12	TE-12	TE-12
	120	TE-12	TE-12	TE-12	TE-12	TE-12
100 Gallons	90	TE-12	TE-12	TE-12	TE-12	TE-25
	100	TE-12	TE-12	TE-12	TE-12	TE-25
	120	TE-12	TE-12	TE-12	TE-12	TE-25
120 Gallons	90	TE-12	TE-12	TE-12	TE-25	TE-25
	100	TE-12	TE-12	TE-12	TE-25	TE-25
	120	TE-12	TE-12	TE-12	TE-25	TE-25

CERTIFICATIONS

The **Cash Acme TE-5, TE-12 and TE-25 Thermal Expansion Tanks** are certified to the **NSF-61 Standard** and are listed by **NSF**. The **Cash Acme TE series of Thermal Expansion Tanks** are certified to **IAPMO Property Standard PS88** and listed by **IAPMO**.