



Advanced Heating
& Hot Water Systems

EVERLAST[®] MiniTank POINT OF USE

2½, 4 &
8 Gallon
Size Units



- ▶ Durable Titanium Glass-Lined Tank
- ▶ 2½ Gal. & 4 Gal. Models have a Simple 120 VAC Plug-In Connection
- ▶ Instant Hot Water Upon Demand! No Water is Wasted While Waiting for Hot Water to Arrive from the Tank
- ▶ Wall or Floor Mounted (Wall Brackets & Rubber Feet included)
- ▶ Included Temperature/Pressure Relief Valve (Factory installed on the 2½ Gal. & 4 Gal. Units)
- ▶ Space Saving Compact Unit
- ▶ High Efficiency CFC Free Foam Insulation
- ▶ Eliminates the Need for a Recirculation Line



Installation is a Breeze! All that is required is a cold water line and an electrical connection to install the water heater at the sink. The versatility of this unit allows it to be used for a small amount of water or connected in line with a main water heater for instantaneous hot water.



TITANIUM
PROTECTION



EXTERNAL
TEMPERATURE
REGULATION



6 YEAR LIMITED
WARRANTY
2 YEAR PARTS



SUPER INSULATION
POLYURETHANE FOAM

www.htproducts.com

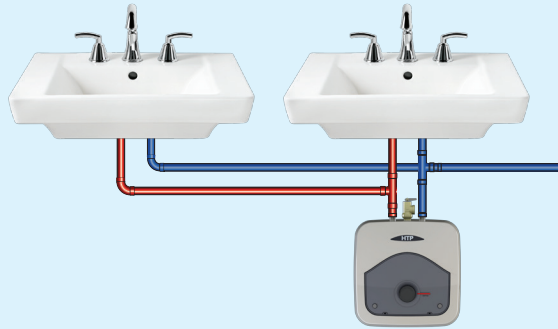
Hot Water Wherever You Need It!



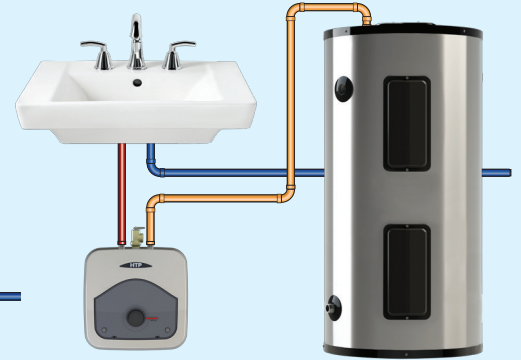
Single Faucet

- ▶ Remote Locations
- ▶ Single Water line
- ▶ Wall or Floor Mounted
- ▶ Eliminates the Need for a Recirculation Line
- ▶ Easy Installation

Multiple Faucets

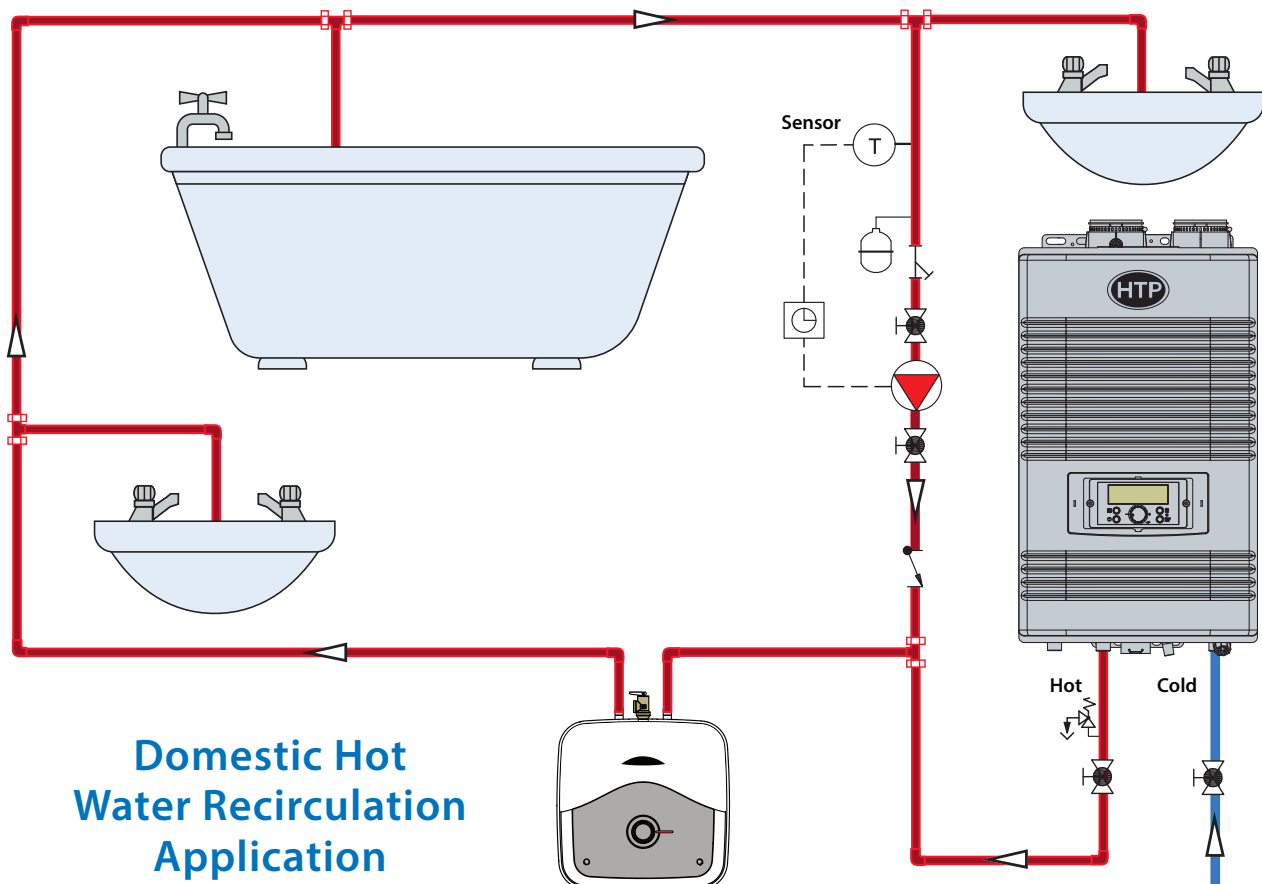


- ▶ Larger Sized Unit Supports Multiple Faucets
- ▶ Wall or Floor Mounted
- ▶ Eliminates the Need for a Recirculation Line
- ▶ Easy Installation



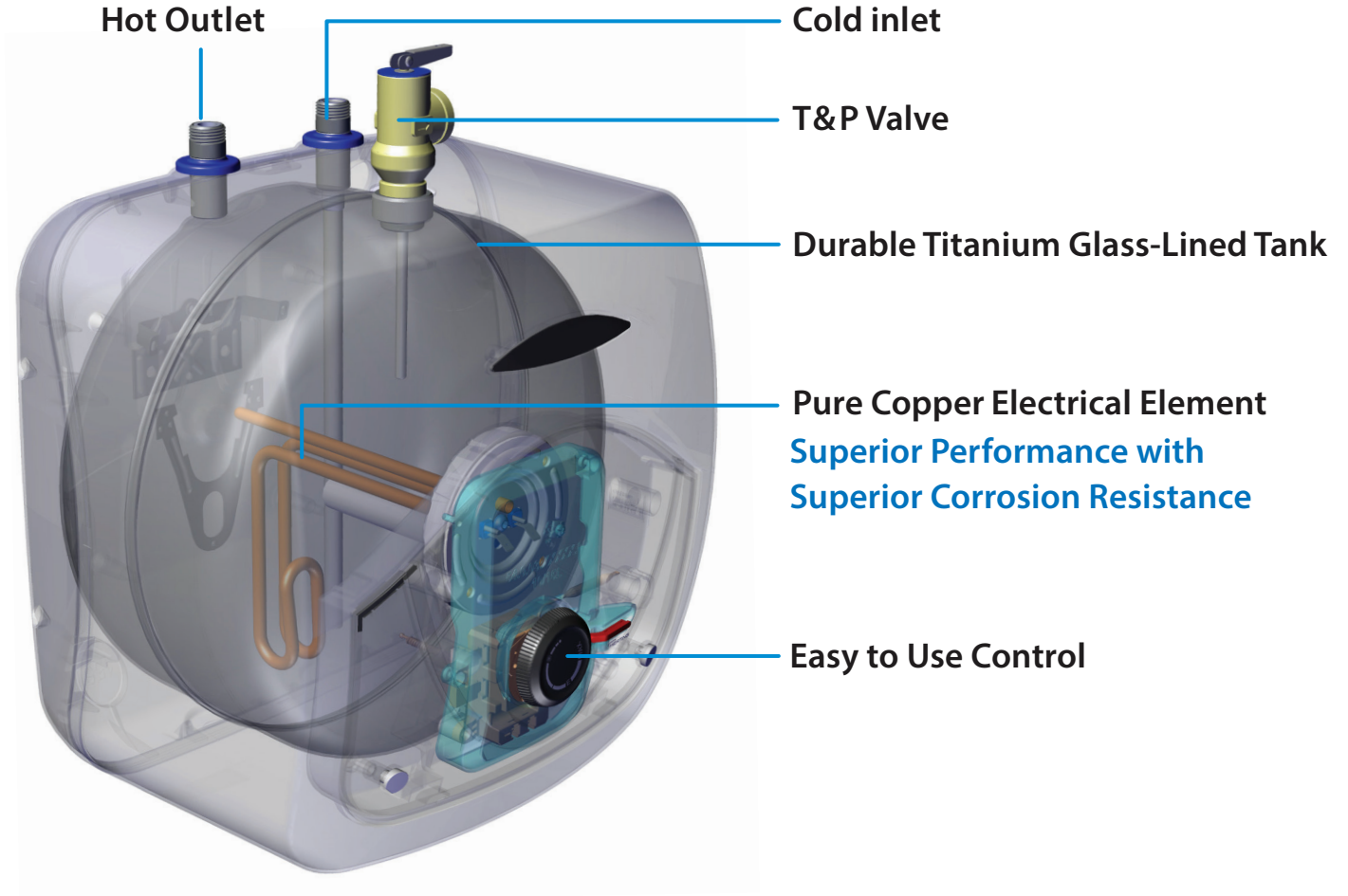
Booster Unit

- ▶ Improve Existing Capacity
- ▶ No Waiting Time
- ▶ Load Reduction
- ▶ Eliminates the Need for a Recirculation Line
- ▶ Built-In Redundancy



Domestic Hot Water Recirculation Application

A Closer Look



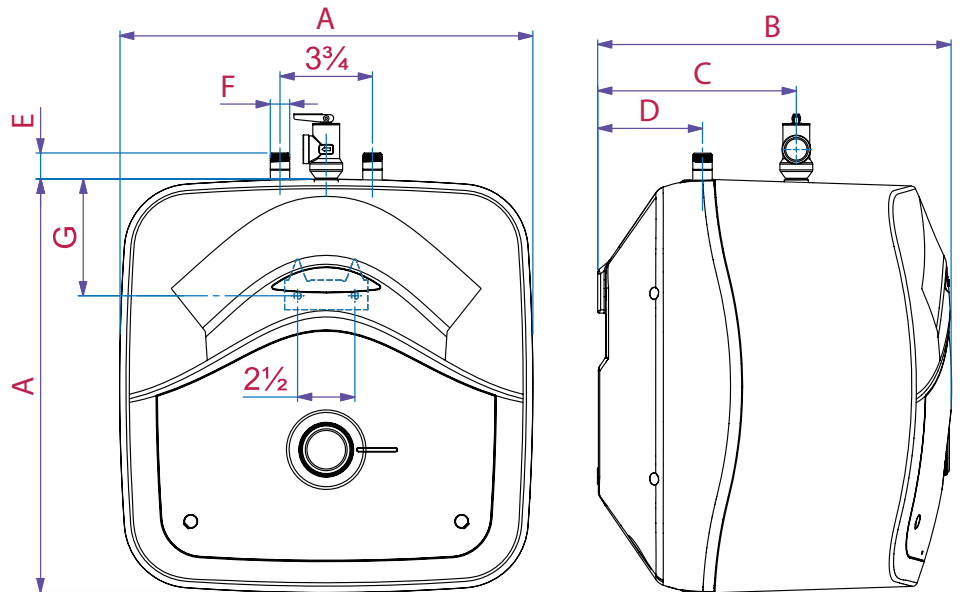
This Compact Yet Powerful Hot Water Heater Supplies Instant Hot Water to Even the Most Remote Locations:

- ▶ Smaller/Second Properties
- ▶ In-law Suites, Kitchenettes
- ▶ Sinks Located Far From Water Heater: Pool Houses/Garages
- ▶ Supplemental Hot Water for High-Flow Fixtures
- ▶ Commercial Bathroom Sinks
- ▶ Hospital Sinks
- ▶ Restaurant Bathrooms



Dimensions & Specifications

Model	2.5 gal.	4.0 gal.	8 gal.
A	14 1/4"	14 1/4"	17 1/2"
B	10 3/4"	12 3/4"	15 1/4"
C	6"	7 1/2"	8 1/2"
D	3 1/2"	3 1/2"	4 1/2"
E	1"	1"	1 3/4"
F	1/2" NPT	1/2" NPT	3/4" NPT
G	5 3/4"	5 3/4"	6 1/2"



Everlast Mini Tank Water Heaters			
Model Numbers	EVR02.5A014C	EVR04.0A014C	EVR08.0A020C
Tank Capacity	2 1/2 gal.	4 gal.	8 gal.
Installation	Undersink Vert	Undersink Vert	Undersink Vert
Tank	Titanium Glass	Titanium Glass	Titanium Glass
Regulation Temp	Knob	Knob	Knob
Dimensions (pipes excluded)	14 1/4" W x 14 1/4" H x 10 3/4" D	14 1/4" W x 14 1/4" H x 12 3/4" D	17 1/2" W x 17 1/2" H x 15 1/4" D
Weight (empty)	15.5 lbs	17.6 lbs	29.5 lbs
Maximum Water Pressure	150 psi	150 psi	150 psi
Recovery Rate at 90°F Rise	6.8	6.8	9.0
Temperature Range	65 – 161°F	65 – 161°F	65 – 161°F
Water Connections	1/2" NPT	1/2" NPT	3/4" NPT 3/4" Nipple Adaptor Included
Relief Valve	Installed	Installed	Included Not Installed
Nominal Voltage (1 phase)	110/120 Vac	110/120 Vac	110/120 Vac
Nominal Current	12 A	12 A	16.7 A
Power at 120 Vac	1,440 W	1,440 W	2,000 W
Recommended Circuit Breaker Size	15 A	15 A	20 A
Electrical Connection	Plug-in	Plug-in	Hard Wired

Installation

Ideal For:

- Industrial Installations, Stores
Office Bathrooms and Hotel
Ancillary Rooms
- Cabins and Mobile Homes

Easy One-Person Installation

Plugs into Standard Wall Outlets

- 2 1/2 and 4 Gal. Units (8 Gal. Hard-Wired)

Mounting Bracket Included

Rubber Feet Attached for Floor Standing Units

Required Tools:

- Pipe Wrench
- Channel Locks
- Teflon Tape or Pipe Dope
- Crescent Wrench



TITANIUM PROTECTION



EXTERNAL TEMPERATURE REGULATION



6 YEAR LIMITED WARRANTY
2 YEAR PARTS



SUPER INSULATION POLYURETHANE FOAM

www.htproducts.com