

Technical and Dimensional Data

Saf-T Vent[®]

Appliance Adapters

AL 29-4C[®] Stainless Steel Special Gas Vent

Heatfab Saf-T Vent Adapters are compatible with all Saf-T Vent Brands

Appliance Listing by Make and Model starts on page 23



130 Industrial Boulevard
Turners Falls, MA 01376

Call (800) 772-0739
Fax (413) 863-4803

www.heat-fab.com

© Copyright 2008 Heatfab Division, Selkirk Corp.
Saf-T Vent is a registered trademark of Selkirk Corp.
AL29-4C is a registered trademark of ATI Properties, Inc.

Pub.#11701-111208

Saf-T Vent[®] Appliance Adapters

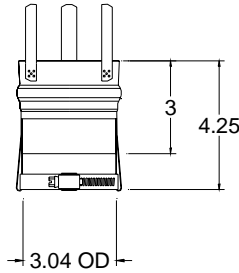
<u>ADAPTER</u>	<u>PAGE</u>
3" ADAPTERS	3
4" ADAPTERS	7
OVER THE COLLAR ADAPTERS	10
INTO THE FLUE COLLAR ADAPTERS	10
UNIVERSAL BOILER ADAPTERS	11
FLANGE TYPE ADAPTERS	12
AERCO ADAPTERS	13
BUDERUS ADAPTERS	15
DeDIETRICH	17
FULTON MUFFLER ADAPTERS	17
HYDROTHERM ADAPTERS	17
LAARS ADAPTERS	16
LOCHINVAR ADAPTERS	16
NORITZ ADAPTERS	18
P-K MACH ADAPTERS	18
RAYPAK ADAPTERS	20
RINNAI ADAPTERS	21
APPLIANCES, LISTED BY MAKE AND MODEL W/APPROPRIATE ADAPTER	23

Heatfab, Selkirk Corp

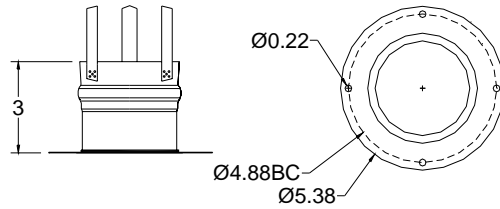
130 Industrial Boulevard • Turners Falls, MA 01376
800 772 0739 • Fax 413 863 4803 • www.heat-fab.com

Saf-T Vent[®] Appliance Adapters

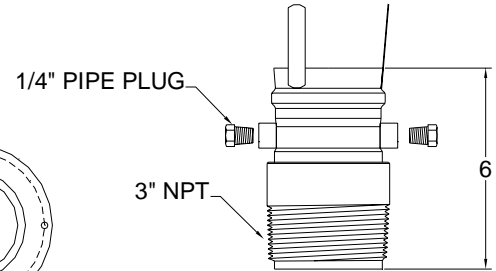
3" Adapters —Adapters for appliances with 3" flue collars.



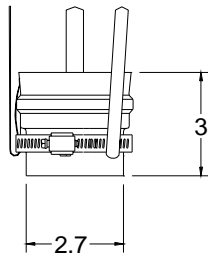
9301AMTK



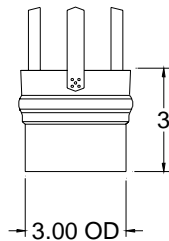
9301CRWN



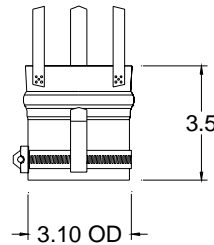
9301FUL



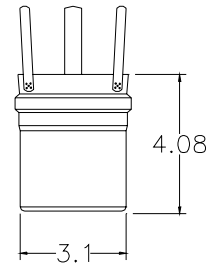
9301ICP



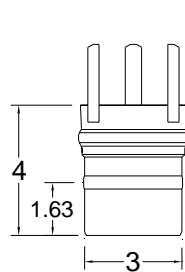
9301THI



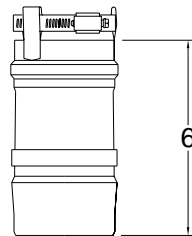
9301UTI



9301VSMN



**Burnham
(Gasketed) to
Saf-T Vent EZ**

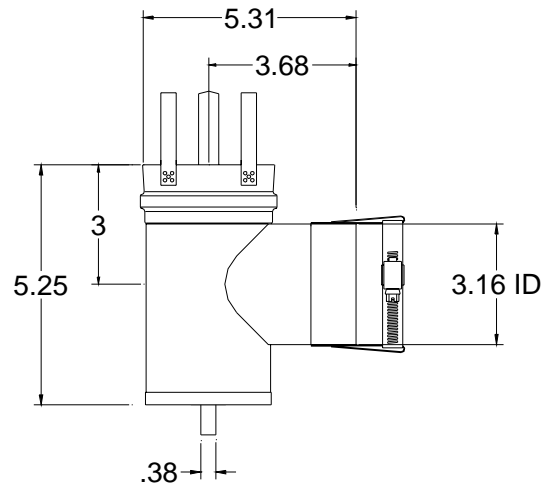
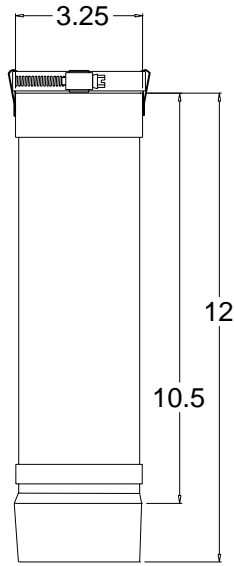
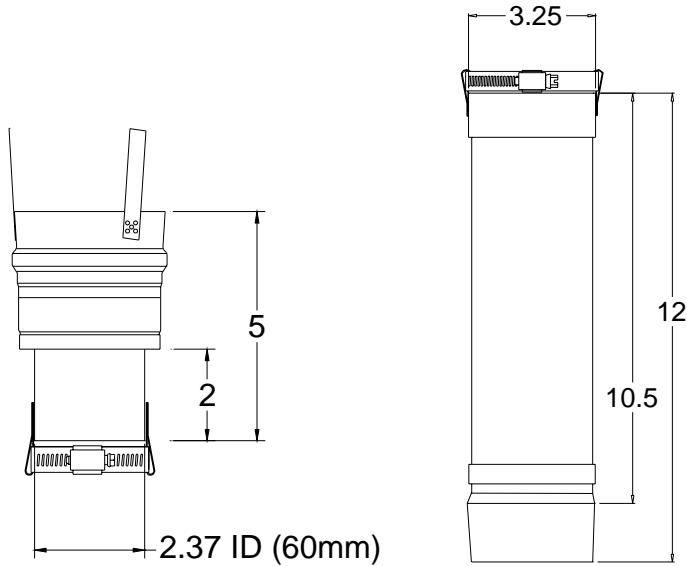
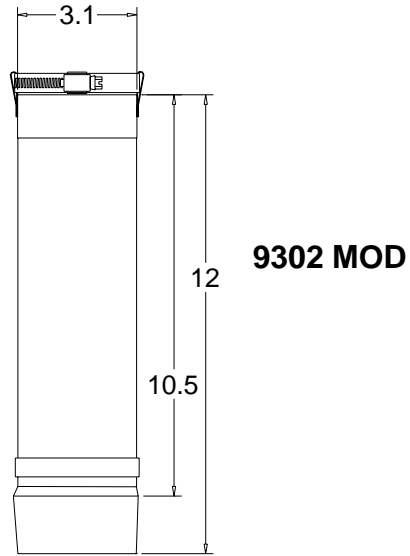
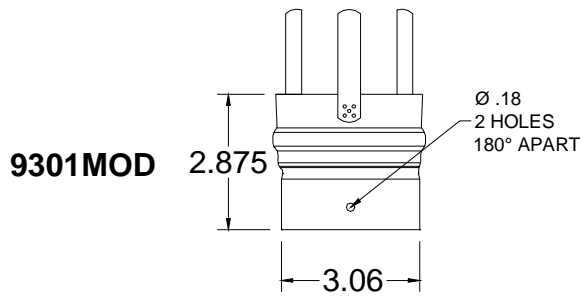


**Saf-T Vent EZ to
Burnham
(Gasketed)**

9353BUREZ

Saf-T Vent[®] Appliance Adapters

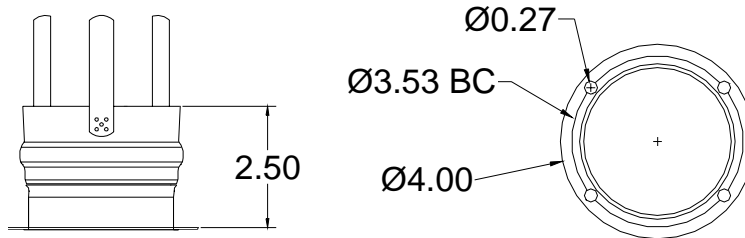
3" Adapters —Adapters for appliances with 3" flue collars.



9301PAL

9302PL

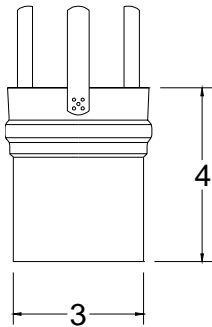
93PLSTEE



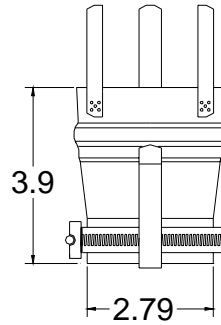
9301VAIL

Saf-T Vent[®] Appliance Adapters

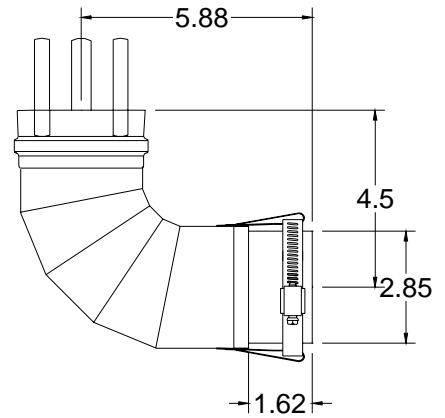
3" Adapters — Adapter for appliances with 3" flue collars.



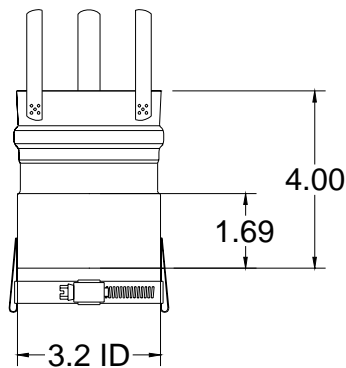
9301BSH



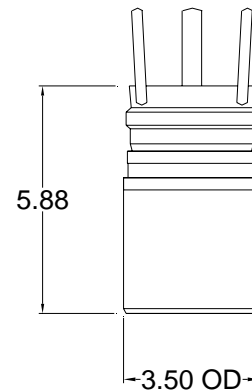
9301CPVC



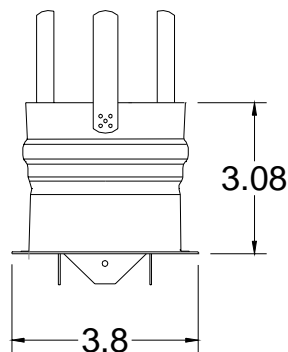
9314SMI



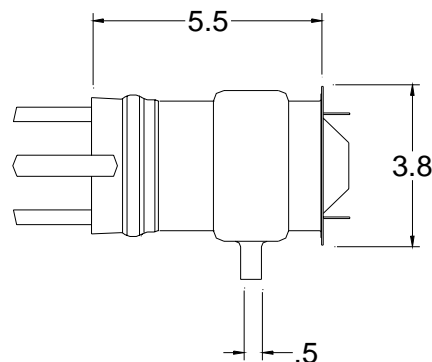
9301DEL



9301PVC



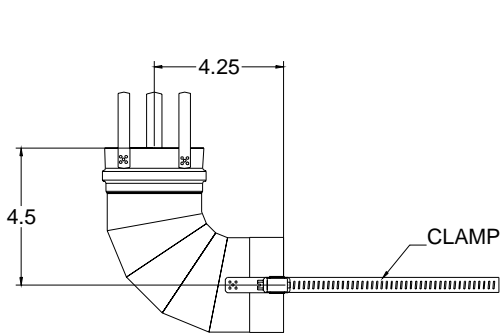
9SF440696



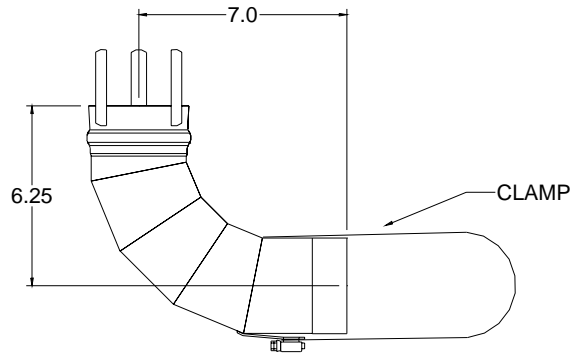
9SF440697

Saf-T Vent[®] Appliance Adapters

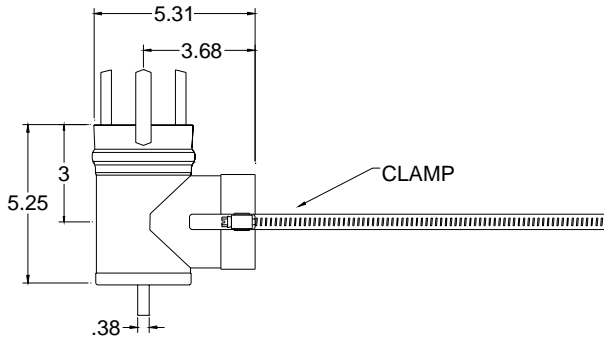
3" Weil-McLain Adapters — Adapters for Weil-McLain appliances.



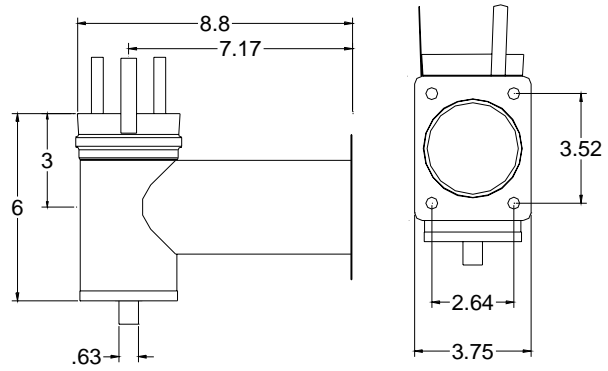
93WMSTLH



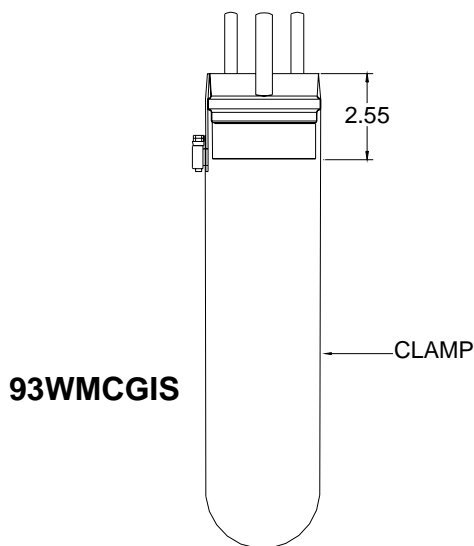
93WMSTLV



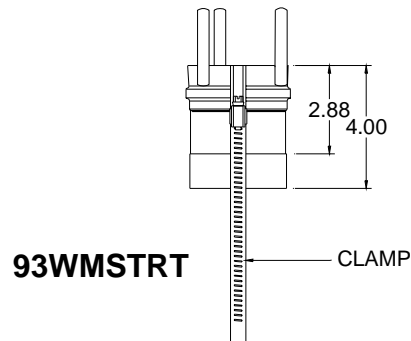
93WMSTEE



93WMSTXL



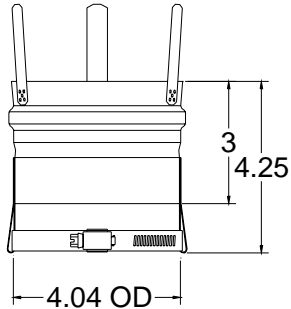
93WMCGIS



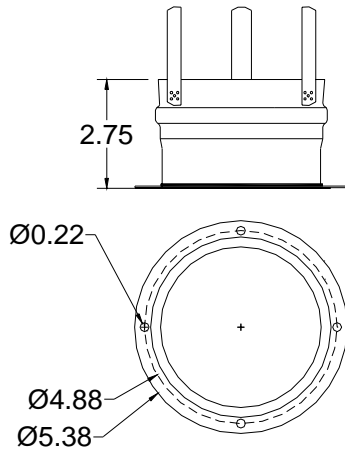
93WMSTRT

Saf-T Vent[®] Appliance Adapters

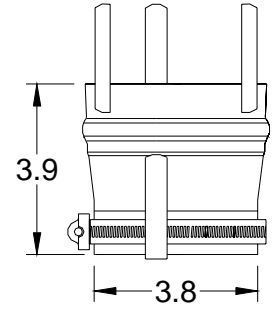
4" Adapters —Adapters for appliances with 4" flue collars.



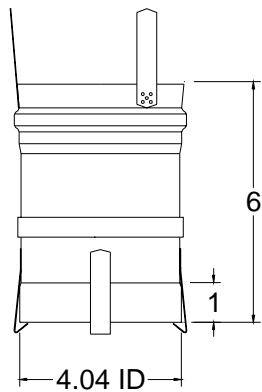
9401AMTK



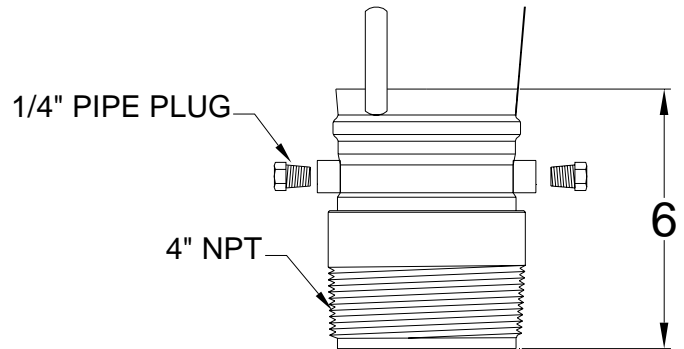
9401CRWN



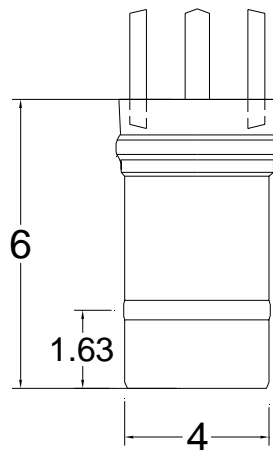
9401CPVC



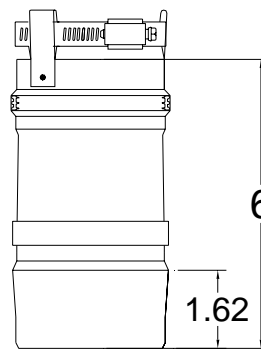
9401DUN



9401FUL



**Burnham
(Gasketed) to
Saf-T Vent EZ**

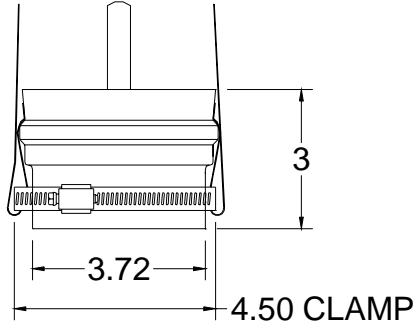


**Saf-T Vent EZ to
Burnham
(Gasketed)**

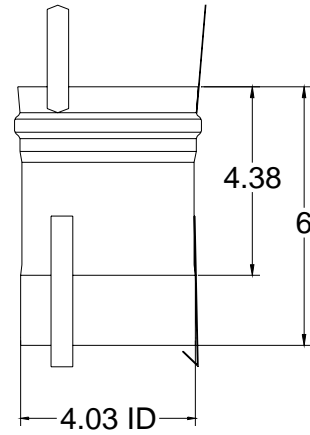
9454BUREZ

Saf-T Vent[®] Appliance Adapters

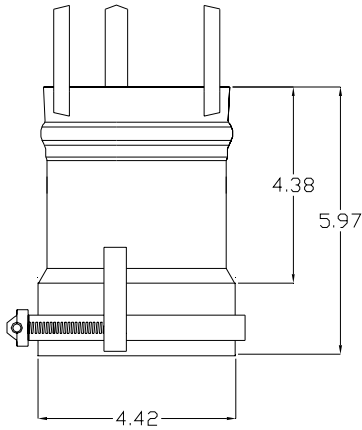
4" Adapters —Adapters for appliances with 4" flue collars.



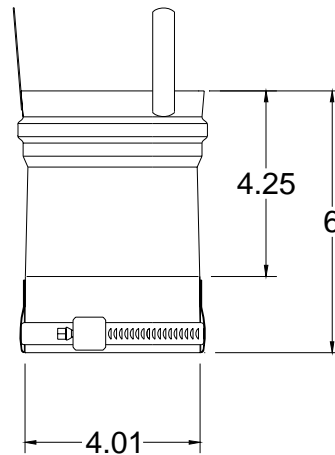
9401ICP



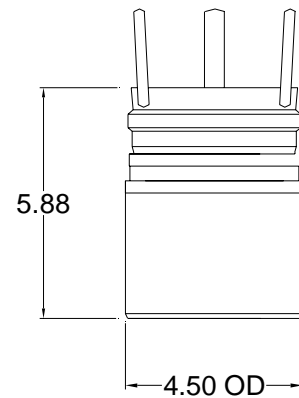
9401MES



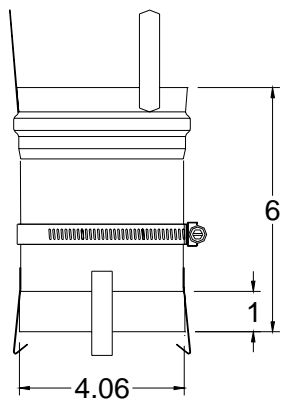
9401MGTV



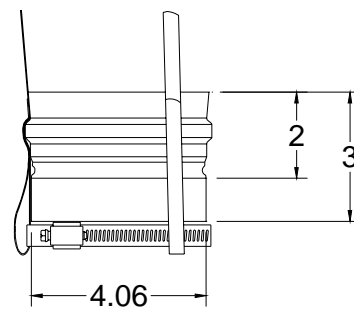
9401JVI



9401PVC



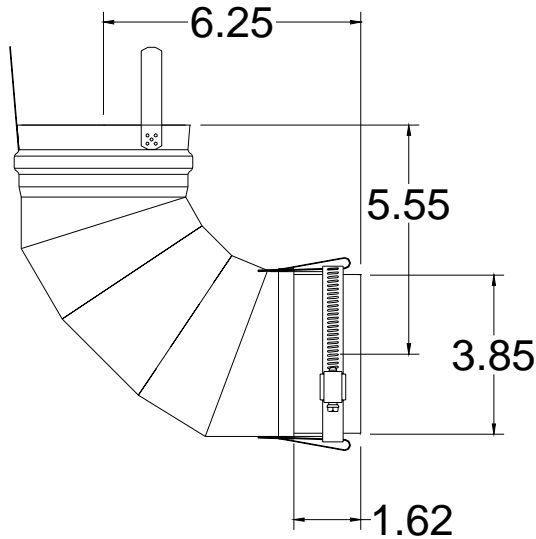
9401PVI



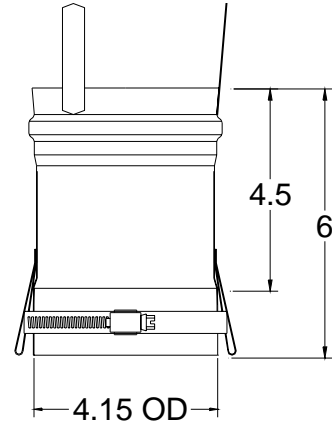
9401RHM

Saf-T Vent® Appliance Adapters

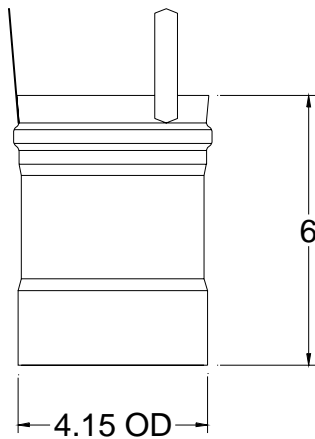
4" Adapters —Adapters for appliances with 4" flue collars.



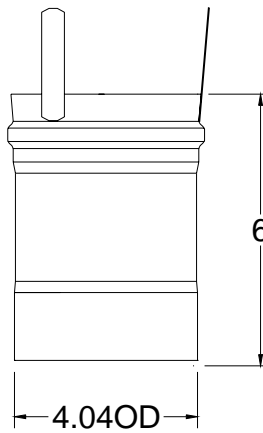
9414SMI



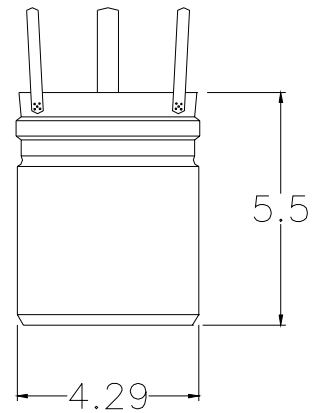
9401UTI



9401SRI



9401VAIL

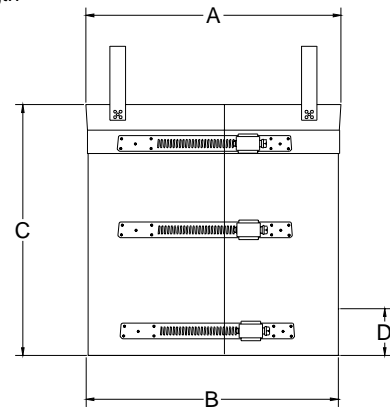


9401VSMN

Saf-T Vent® Appliance Adapters

Over-the-Flue-Collar Appliance Adapter — A generic flue collar adapter used on appliances with vent outlets that are slightly out-of-round or of irregular diameters. The split-seam design allows the adapter to clamp around irregular or inconsistent flue collars while still providing a secure connection to Saf-T Vent systems.

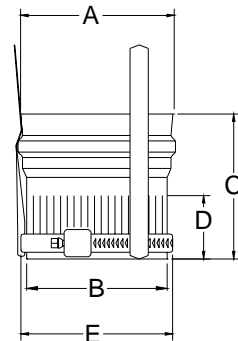
Part Number	DIM - A Nominal Diameter	DIM - B Minimum Flue Collar Diameter	DIM - C Installed Length	DIM - D Minimum Recommended Interface Length
5301BOI	3	2.85	8	1.5
5401BOI	4	3.75	8	1.5
5501BOI	5	4.75	8	1.5
5601BOI	6	5.75	8	1.5
5701BOI	7	6.75	8	1.5
5801BOI	8	7.75	8	1.5
5901BOI	9	8.75	8	1.5
51001BOI	10	9.75	8	1.5
51201BOI	12	11.75	8	1.5
51401BOI	14	13.75	8	1.5
51601BOI	16	15.75	8	1.5



**Over-the-Flue-Collar
Appliance Adapter**

Into-the-Flue-Collar Appliance Adapter — A generic flue collar adapter used on appliances with vent outlets with a nominal inside diameter. The crimped portion of this adapter is inserted into the flue collar while the hose clamp is tightened around the outside to create a mechanical joint.

Part Number	DIM - A Nominal Diameter	DIM - B Male End Crimp O.D.	DIM - C Overall Length	DIM - D Crimp Length	DIM - E Maximum Clamp Diameter
9363	3	2.9	4	0.75	3.5
9464	4	3.9	4	1.75	4.5
9565	5	4.9	4	1.75	5.5
9666	6	5.9	4	1.75	6.5
9767	7	6.9	4	1.75	7.5
9868	8	7.9	4	1.75	8.5
910610	10	9.9	4	1.75	10.5

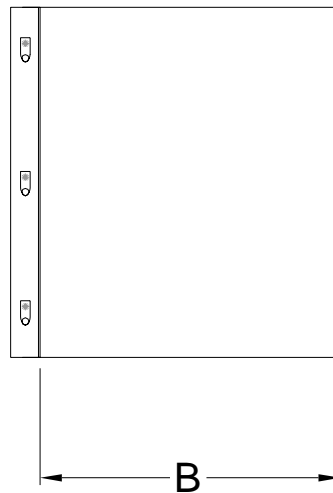
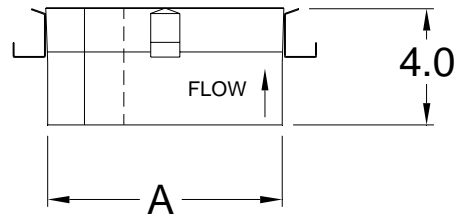


**Into-the-Flue-Collar
Appliance Adapter**

Saf-T Vent[®] Appliance Adapters

Universal Boiler Adapter— Used horizontally or vertically to adapt Saf-T Vent CI Plus to nominal diameter flue collars, it can also adapt to boiler collars that are slightly out of round. The adapter comes with a joint locking strap, boiler collar clamp and a 8" coupler band.

Part Number	DIM - A Nominal Inner Diameter	DIM - B Nominal Diameter Outer Jacket
CCA05ADUV	5	7.3
CCA06ADUV	6	8.3
CCA07ADUV	7	9.3
CCA08ADUV	8	10.3
CCA09ADUV	9	11.3
CCA10ADUV	10	12.3
CCA12ADUV	12	14.3
CCA14ADUV	14	16.3
CCA16ADUV	16	18.3
CCA18ADUV	18	20.3
CCA20ADUV	20	22.3
CCA22ADUV	22	24.3
CCA24ADUV	24	26.3
CCA26ADUV	26	28.3
CCA28ADUV	28	30.3
CCA30ADUV	30	32.3
CCA32ADUV	32	34.3

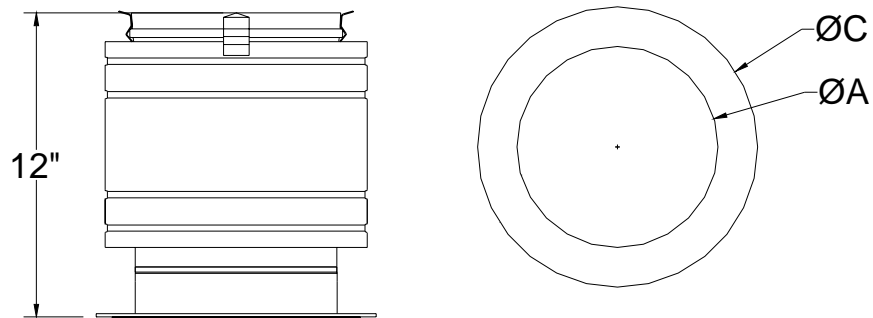


Saf-T Vent[®] Appliance Adapters

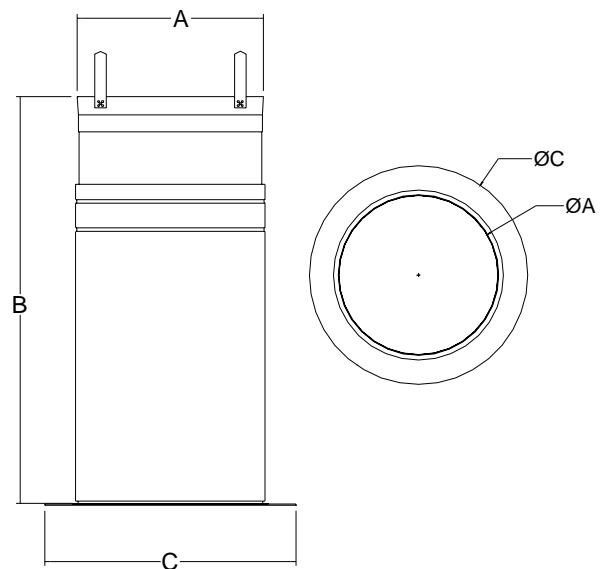
Flange-Type Appliance Adapter — A generic adapter used on appliances with a vent outlet that includes a bolted-on flange connection. Bolt holes and hardware are provided by the installer. Custom bolt hole patterns can be provided for an additional charge. Each Saf-T Vent CI Plus appliance adapter comes standard with a 8" long and a 5" long Saf-T Vent CI Coupler, the Saf-T Vent CI appliance adapter comes standard with a 12" long Saf-T Vent CI Coupler.

Part Number	DIM - A Nominal Diameter	DIM - B Installed Length	DIM - C Flange Diameter
CCA05ADFL	5	12	8
CCA06ADFL	6	12	9
CCA07ADFL	7	12	10
CCA08ADFL	8	12	11
CCA09ADFL	9	12	12
CCA10ADFL	10	12	13
CCA12ADFL	12	12	15
CCA14ADFL	14	12	17
CCA16ADFL	16	12	19

Note: Bolt Holes are to be field installed.



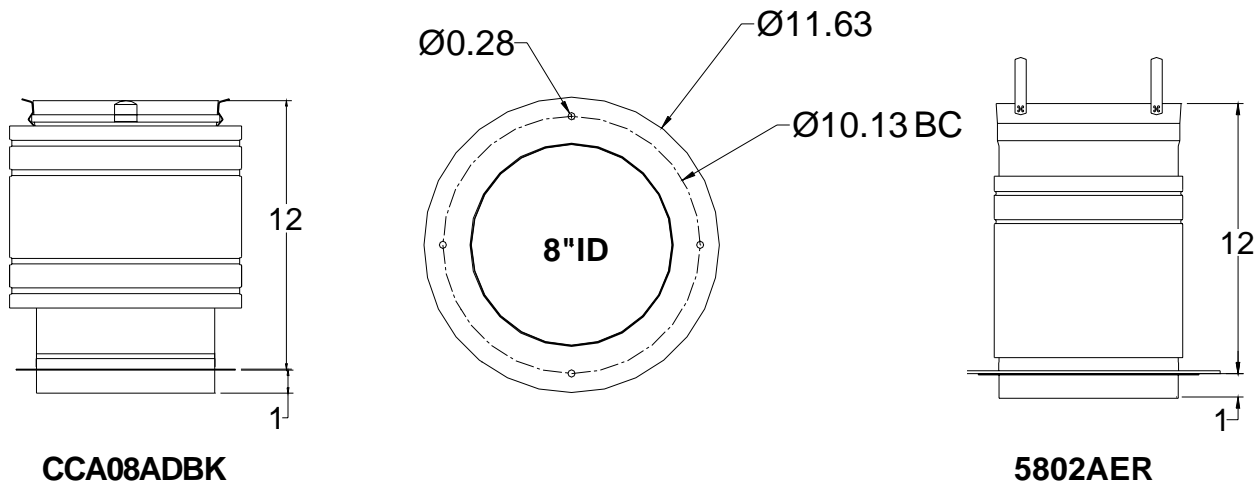
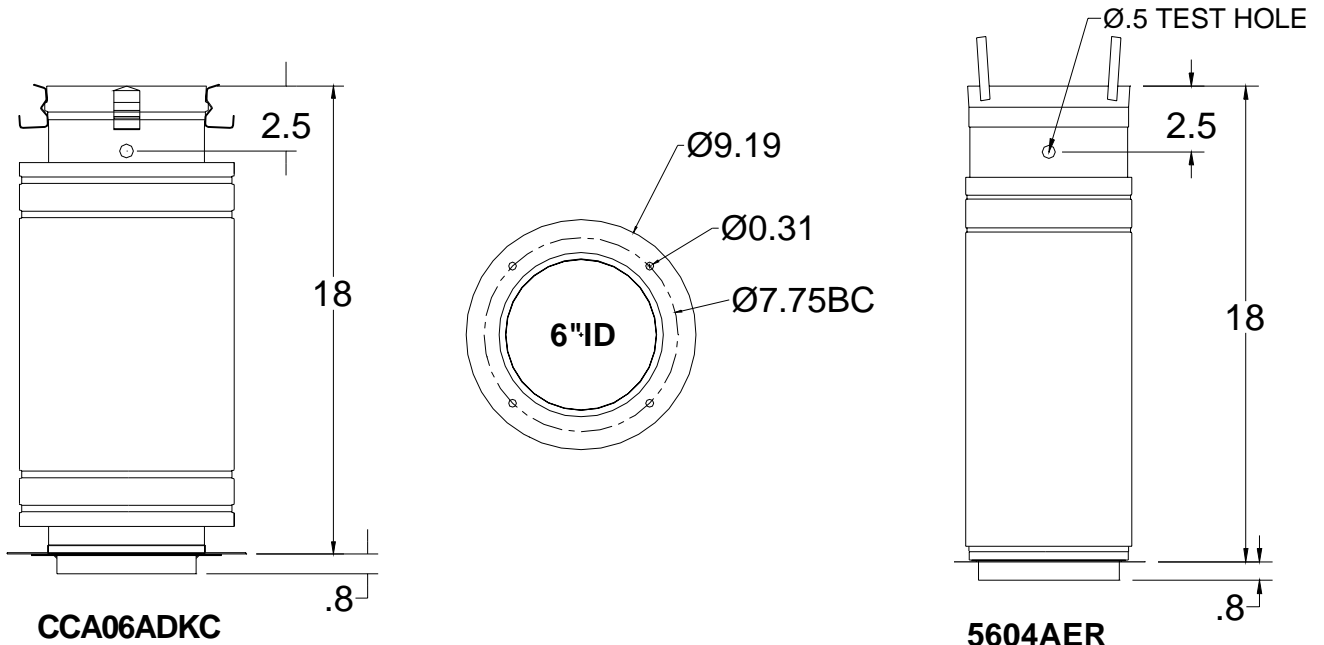
Part Number	DIM - A Nominal Diameter	DIM - B Installed Length	DIM - C Flange Diameter
5804BOI	8	18	11
5904BOI	9	18	12
51004BOI	10	18	13
51204BOI	12	18	15
51404BOI	14	18	17
51604BOI	16	18	19



Saf-T Vent[®] Appliance Adapters

Aerco Adapter — Adapters for Aerco appliances.

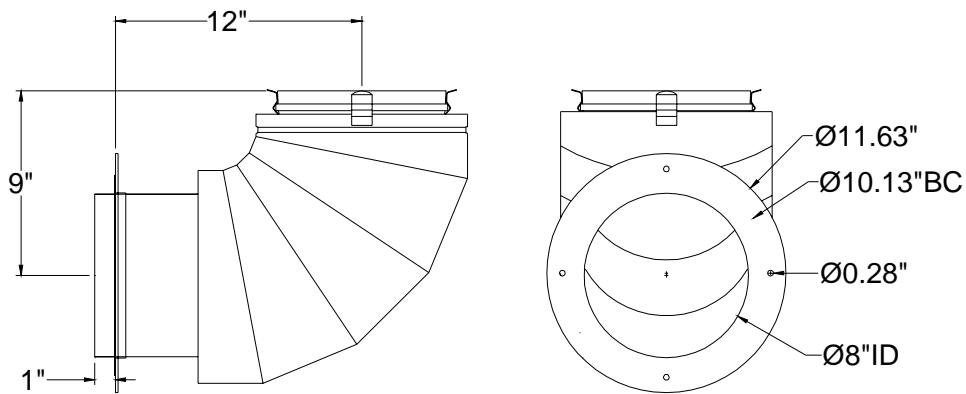
Part Number	Nominal Diameter	Installed Length	Flange Diameter	Bolt Centers
5604AER	6	18	9.19	7.75
5802AER	8	12	11.63	10.13
CCA06ADKC	6	18	9.19	7.75
CCA08ADBK	8	12	11.63	10.13



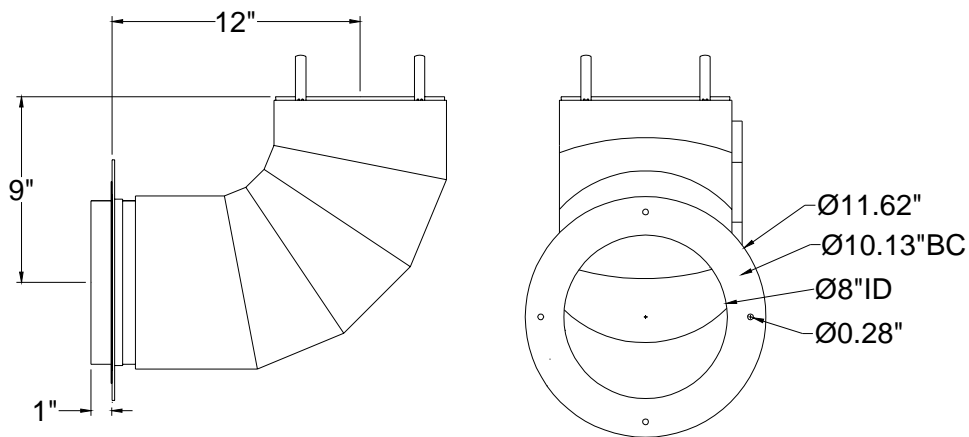
Saf-T Vent[®] Appliance Adapters

Aerco Elbow Adapter —90° elbow adapters for Aerco appliances. Note: To avoid water system supply and return piping, this fitting must be rotated from the vertical position.

Part Number	Nominal Diameter	Installed Length	Flange Diameter	Bolt Centers
5814AER	8	12	11.63	10.13
CCA08ADBK90	8	12	11.63	10.13



CCA08ADBK90

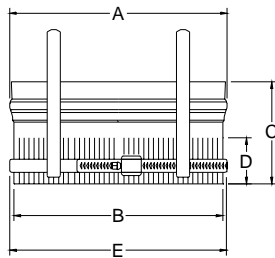


5814AER

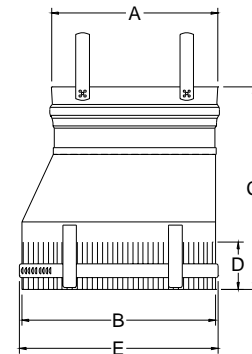
Saf-T Vent[®] Appliance Adapters

Buderus Appliance Adapter — This adapter is specially designed to connect directly into the vent outlet of Buderus SB Series boilers. The hose clamp is tightened around the outside of the flue collar to create a mechanical joint.

Part Number	DIM - A Nominal Diameter	DIM - B Male End Crimp O.D.	DIM - C Overall Length	DIM - D Crimp Length	DIM - E Maximum Clamp Diameter
9601SB*	6	7.18	7.5	1.75	7.5
9801SB	8	7.9	4.0	1.75	8.5
91001SB	10	9.9	4.0	1.75	10.5
91201SB	12	11.9	4.0	1.75	12.5
91401SB	14	13.9	4.0	1.75	14.5

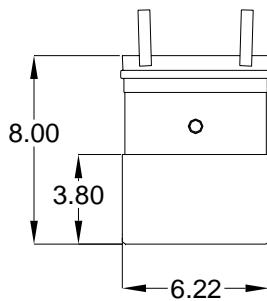


Buderus SB Boiler Adapter

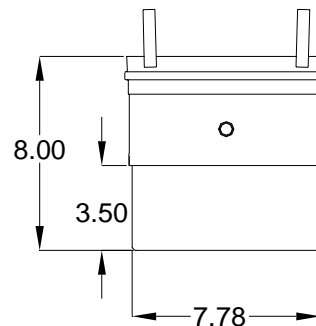


***9601SB**

This adapter is specially designed to connect directly into the vent outlet of Buderus GB Series, 9_01GB has Saf-T Vent EZ seal ends, the 9_GBCPVC is for connecting to CPVC venting. Note: Consult local building code when venting with CPVC.

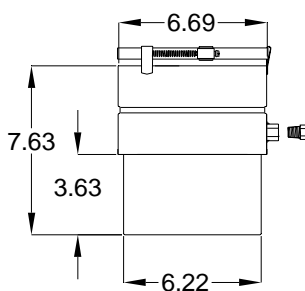


9601GB

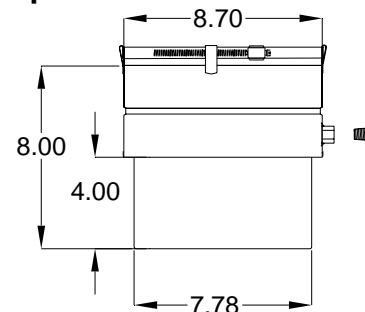


9801GB

Buderus GB Boiler Adapters



96GBCPVC

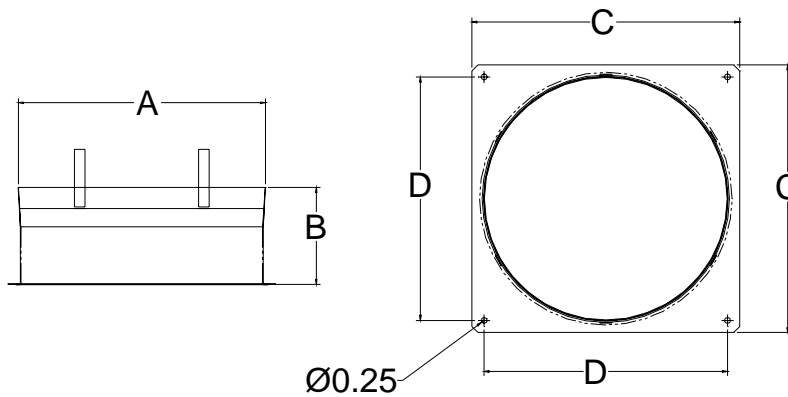


98GBCPVC

Saf-T Vent[®] Appliance Adapters

Laars MightyMax Adapter — This adapter is specially designed to connect directly to the vent outlet of a Laars MightyMax Boiler. This part is supplied by Laars Heating Systems with MightyMax Boilers that require AL 29-4C[®] venting.

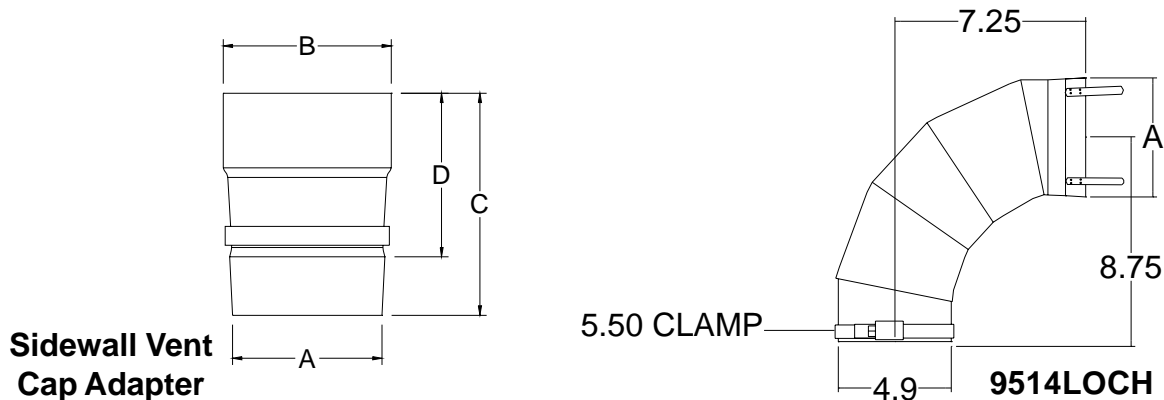
Part Number	DIM - A Nominal Diameter	DIM - B Installed Length	DIM - C Plate Size	DIM - D Bolt Centers
9601LARS	6	4	7	6
9701LARS	7	4	8	7
9801LARS	8	4	9	8
9901LARS	9	4	10	9
91001LARS	10	4	11	10



Laars Adapter

Lochinvar Adapter —Adapters for Lochinvar appliances.

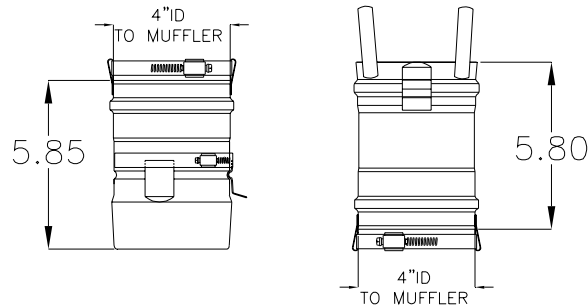
Part Number	DIM - A Nominal Diameter	DIM - B Diameter	DIM - C Overall Length	DIM - D Installed Length	Use
9454LOCH	4	4.5	6	4.38	Sidewall Vent Cap Adapter
9555LOCH	5	5.5	6	4.38	Sidewall Vent Cap Adapter
9514LOCH	5				Appliance Adapter



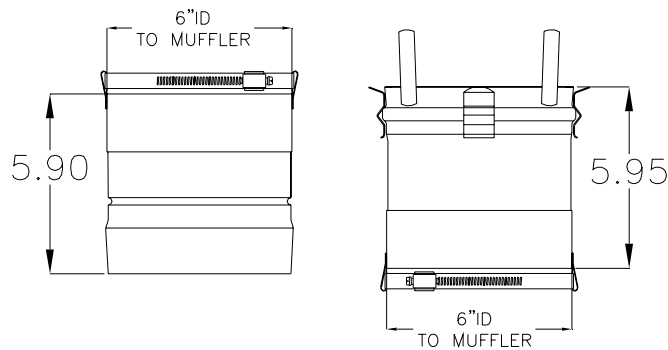
**Sidewall Vent
Cap Adapter**

Saf-T Vent® Appliance Adapters

Fulton Muffler Adapters — These adapters make the connection between Saf-T Vent products and Fulton Exhaust Mufflers. The 9401FMA is to connect to the 4" muffler and the 9601FMA is for the 6" muffler, both are made to connect to either single wall EZ Seal or double wall CI Plus.

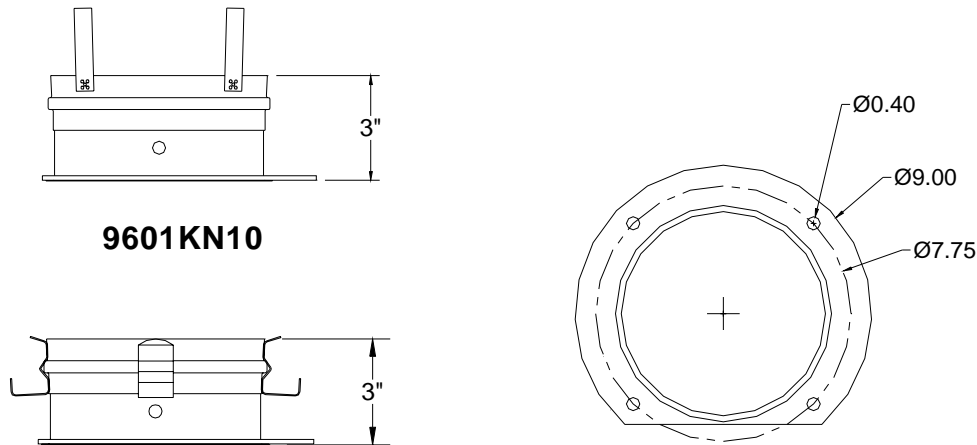


9401FMA



9601FMA

Hydrotherm Adapter — This adapter is specially designed to connect directly to the vent outlet of the Hydrotherm KN-10, the 9601K10 comes installed on the appliance.

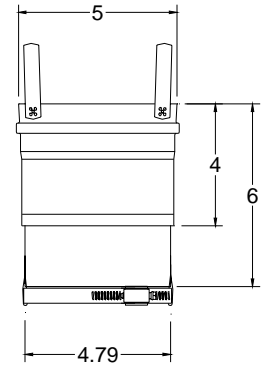


9601KN10

CCA06ADKN

Saf-T Vent® Appliance Adapters

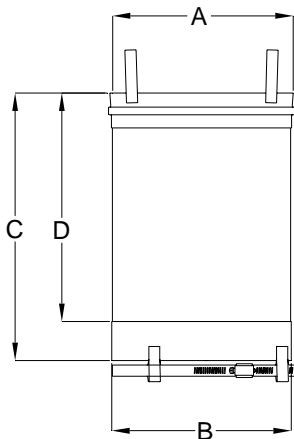
Noritz Adapter — This adapter makes the connection between Saf-T Vent products and Noritz water heaters that require 5" diameter vent.



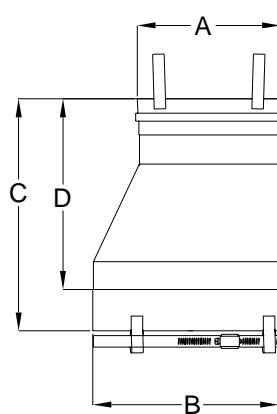
9501NOR

Patterson-Kelley Modu-Fire Adapter — These adapters are specially designed to connect directly to the vent outlet of Patterson Kelley Modu-Fire Boilers, MFD Series (Forced Draft). Consult Patterson-Kelley installation instructions on the use of reducing adapters.

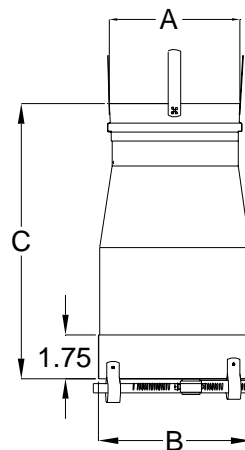
Part Number	DIM - A Nominal Diameter	DIM - B Diameter	DIM - C Overall Length	DIM - D Installed Length
9801PK08	8	8.06	12	10.25
9801PK06	6	8.06	10	8.25
965PKMODU	5	6.1	11	9.25
964PKMODU	4	6.1	11	9.25
9801PK06UV	6.08	8.06	10	8.25



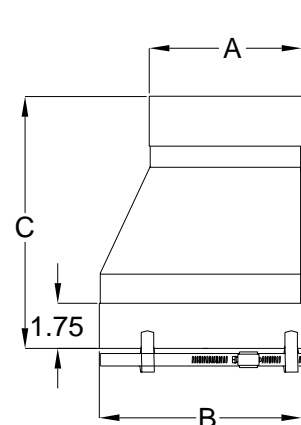
9801PK08



9801PK06



96_PKMODU



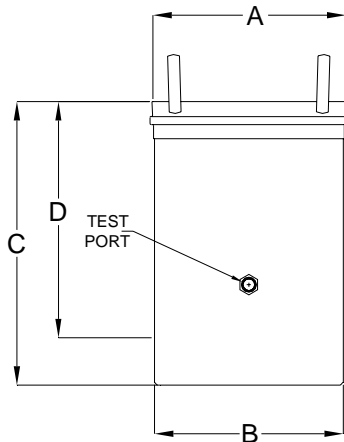
9801PK06UV

Saf-T Vent[®] Appliance Adapters

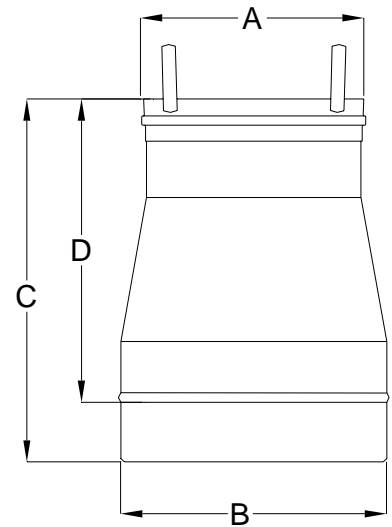
P-K Mach Adapter — These adapters are specially designed to connect directly to the vent outlet of P-K Mach Boilers

Note: Not all adapters are equipped with a test port.

Part Number	DIM - A Nominal Diameter	DIM - B Overall Diameter	DIM - C Overall Installed Length	DIM - D Installed Length
9401MACH	4	3.93	11	9
9501MACH	5	5.14	7	5
9601MACH	6	FACTORY INSTALLED		
9801MACH	8	7.9	12	10
91001MACH	10	9.8	9	7
91002MACH	10	10	9	7
91001PK06	6	9.8	18	16
91002PK06	6	10	18	16
91001PK08	8	9.8	13	11
91002PK08	8	10	13	11



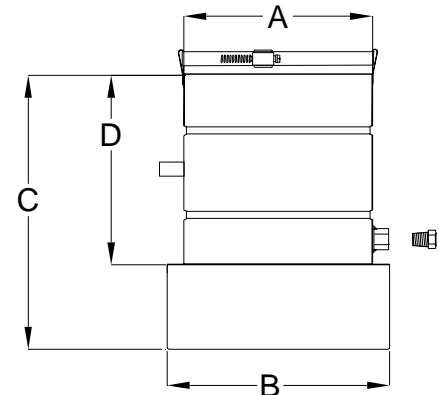
9_01MACH & 91002MACH



9_01PK_ & 9_02PK

P-K Mach Adapter — These adapters are specially designed to connect directly to the vent outlet of P-K Mach Boilers and adapt to CPVC venting. Note: Consult local building code when venting with CPVC

Part Number	DIM - A Nominal Diameter	DIM - B Diameter	DIM - C Overall Length	DIM - D Installed Length
9401PKCPVC	4.6	3.9	7	4
9501PKCPVC	6.7	5.14	7	4
9601PKCPVC	6.7	7.9	10	7
9801PKCPVC	8.7	7.9	10	7



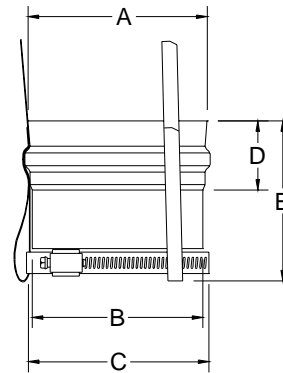
9_01PKCPVC

Saf-T Vent® Appliance Adapters

Raypak Boiler Adapter — This adapter is specially designed to connect directly into the vent outlet of Raypak's ADB or High Delta boilers. The hose clamp is tightened around the outside of the flue collar to create a mechanical joint.

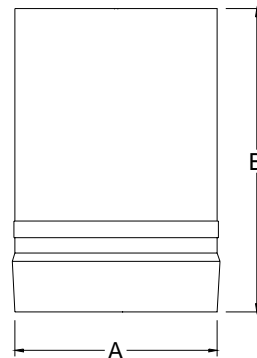
Part Number	DIM - A Nominal Diameter	DIM - B Flue Collar I.D.	DIM - C Hose Clamp Diameter	DIM - D Installed Length	DIM - E Overall Length
9401RYPK	4	4	4.5	1.50	3.75
9501RYPK	5	5	5.5	1.50	3.75
9601RYPK	6	6	6.5	1.50	3.75
9801RYPK	8	8	8.5	1.50	3.75
9901RYPK	9	9	9.5	1.50	3.75
91001RYPK	10	10	10.5	1.50	3.75
91201RYPK	12	12	12.5	1.50	3.75
91401RYPK	14	14	14.5	1.50	3.75
91601RYPK	16	16	16.5	1.50	3.75

Raypak Boiler Adapter



Raypak Vent Cap Adapter — This adapter makes the connection between Saf-T Vent products and Raypak's Flue Exhaust Vent Cap.

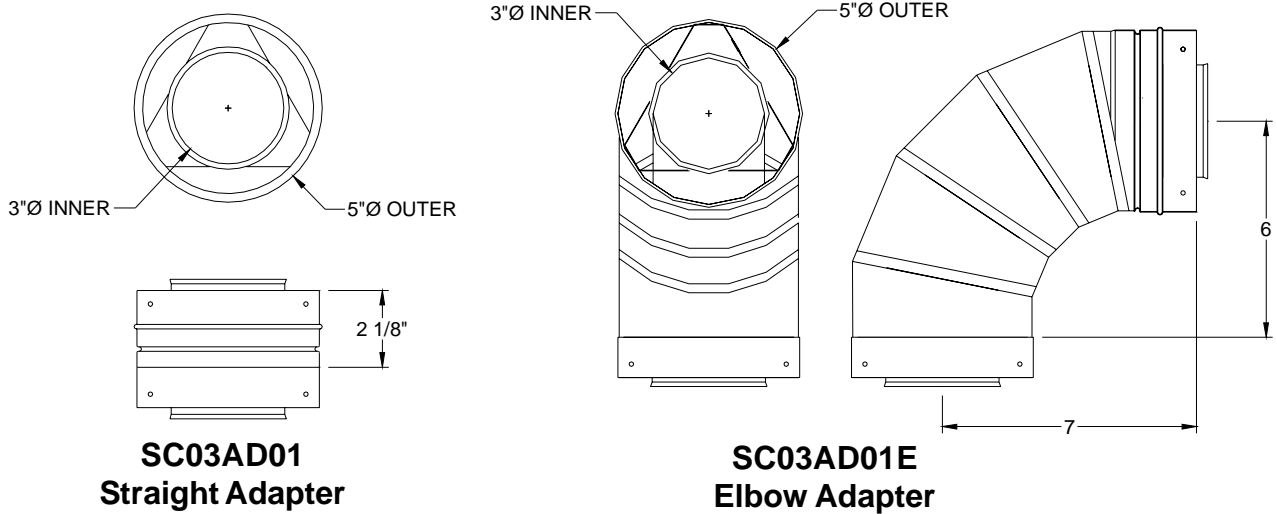
Part Number	DIM - A Nominal Diameter	DIM - B Overall Length
9490RYPK	4	9
9590RYPK	5	9
9690RYPK	6	9
9890RYPK	8	9
9990RYPK	9	9
91090RYPK	10	9
91290RYPK	12	9
91490RYPK	14	9
91690RYPK	16	9



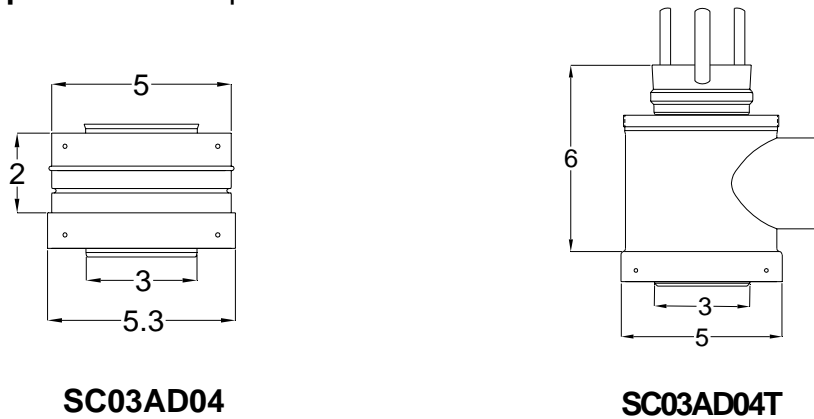
Raypak Vent Cap Adapter

Saf-T Vent[®] Appliance Adapters

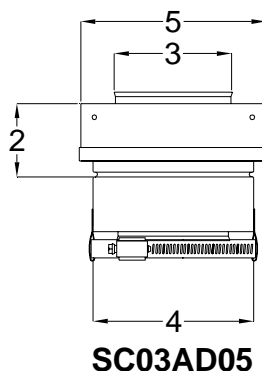
Rinnai Appliance Adapters — The straight adapter, SC03AD01, or elbow adapter, SC3AD01E, is specially designed to connect directly into the vent outlet of the Rinnai Continuum model V2532.



DeDietrich Adapter — SC Adapter for DTG FF



SC Adapter — Paloma PH-25RDVS, Rheem RTG53DV, RTG66DV, Richmond RMTG-53DV, RMTG-66DV, Rudd RUTG-53dv, RUTG-66DV.



Saf-T Vent[®] Appliance Adapters

Appliance Makes and Models:

General Notes:

The following appendix includes adapters from all of Heatfab's Saf-T Vent brands.

Adapters are listed by the appliance manufacturer.

Heatfab Saf-T Vent adapters are compatible with all of Saf-T Vent brands pipes and fittings. EZ Seal to CI Plus and CI Plus to EZ Seal require an adapter, CCA_ADSV, refer to publication PI-CCADSV.

Terms:

Factory Accessory (HF) – This is an accessory supplied by the Appliance Manufacturer for some venting configurations. The vent connection on the accessory is equipped with Heat-fab's standard female end. No separate adapter is required.

Factory Supplied (Gen.) – The appliance is shipped with a generic flue collar that will accept a standard male end of a Heat-fab Saf-T Vent product. No separate adapter is required.

Factory Supplied (HF) – The appliance's flue collar is equipped with Heatfab's standard female end. No separate adapter is required.

Don't See Your Appliance? Call Heat-fab – If an appliance adapter is not listed for your application please call Heatfab at 800-772-0739 for our current recommendation.

Saf-T Vent® Appliance Adapters

Manufacturer	Make & Model	Flue Collar Diameter	Adapter Part #	Page
Aerco International	KC1000	6	5604AER or CCA06ADKC	13
	Benchmark BMK 1.5	6	5604AER or CCA06ADKC	13
	Benchmark BMK 2.0 & BMK 3.0	8	5802AER or CCA08ADBK	13
	Benchmark BMK 2.0	8	5814AER or CCA08ADBK90 (elbow)	14
	Modulex - Series MLX-303 thru MLX-606	4	none required	
	Modulex - Series MLX-757 thru MLX-1061	6	none required	
Ajax	Atlas Goldstar GS-10-A01G	6	Factory Supplied (HF)	
	Atlas Goldstar GS-15-A01G	8	Factory Supplied (HF)	
	Atlas A050 - A075	6	5601BOI or CCA06ADUV	10 & 11
	Atlas A100 - A150	8	5801BOI or CCA08ADUV	10 & 11
	Atlas A200	10	51001BOI or CCA10ADUV	10 & 11
	Atlas A250 - A300	12	51201BOI or CCA12ADUV	10 & 11
	Ace Series	6 thru 16	5_01BOI or CCA__ADUV	10 & 11
	Ajax Series	5 thru 36	5_01BOI or CCA__ADUV	10 & 11
American	GT-305I, GT- 505I	3"/5"	Standard SC components	
	GT-705I	4	9401AMTK	7
A.O. Smith Water Products	Genesis GB & GW-200	4	9464	10
	GB & GW -300	5	9565	10
	GB&GW-400 & -500	6	9666	10
	GB & GW -650 & -750	8	9868	10
	GB & GW 1000	10	5100BOI or CCA10ADUV	10 & 11
	GB & GW-1300 & -1500	12	51201BOI or CCA12ADUV	10 & 11
	GB & GW-1850 & -2100	14	51401BOI or CCA14ADUV	10 & 11
	GB & GW-2500	16	51601BOI or CCA16ADUV	10 & 11
	Legend 2000 LB & LW-500, -750	6	Factory Supplied (HF)	
	LB & LW-1000	7	Factory Supplied (HF)	
	Pro Star XT 19400	4	9401RYPK	20
	Vertex 100	3	9301PVC	5
	ATI 305, ATI 505	3"/5"	Standard SC components	
ATI 705	4	9401AMTK	7	
Bard Mfg.	IH, IC, IL, ISG, & MPG Gas Furnaces	3	9363 for 3" dia. Vent	10
		4	9464 for 4" dia. vent	10

Saf-T Vent® Appliance Adapters

Manufacturer	Make & Model	Flue Collar Diameter	Adapter Part #	Page
Beacon/Morris	BRU, BRU30 - 90, BTU30 - 90	4	9401RHM	8
	BRU / BTU 100-250	5	5501BOI OR CCA05ADUV	10 & 11
	BRU / BTU 300-400	6	5601BOI OR CCA06ADUV	10 & 11
	BST 30-75	4	9401RHM	8
	ALL BM SERIES	4 thru 6	5_01BOI or CCA__ADUV	10 & 11
Bosch	AquaStar 125FX	4	9464	10
	AquaStar 240FX	4	9464	10
	AquaStar 250SX	3	9301BSH	5
	Pro Tankless GWH-635-ES	3	9301BSH	5
	2400E	3	9301BSH	5
	GWH 2400ES	3	9301BSH	5
	GWH 2700ES	3	9301BSH	5
	GWH 345ESR	3	9301BSH	5
	GWH 450ESR	3	9301BSH	5
	GWH 635ES	3	9301BSH	5
	GWH 715ES	3	9301BSH	5
	GWH 425EF	4	9401RHM	8
	Bradford white	EF Series	3	9301PVC
Buderus	GA124 17, 23, 30	3	9301AMTK	3
	GA244 37, 44, 53	3	9301AMTK	3
	GA244 62	4	9401AMTK	7
	G315	7	5701BOI or CCA07ADUV	10 & 11
	G515	10	51001BOI or CCA10ADUV	10 & 11
	G615	14	51401BOI or CCA14ADUV	10 & 11
	SB615 145, 185	6	9601SB	15
	SB615 240, 310	8	9801SB	15
	SB615 400	10	91001SB	15
	SB615 510, 640	12	91201SB	15
	SB735-790/970/1200	14	91401SB	15
	G124X 18 & 25	5	5501BOI or CCA05ADUV	10 & 11
	G124X 32	6	5601BOI or CCA06ADUV	10 & 11
	G234X 38, 45, 55	7	5701BOI or CCA07ADUV	10 & 11
	G234X 64	8	5801BOI or CCA08ADUV	10 & 11
	G334X 73	8	5801BOI or CCA08ADUV	10 & 11
	G334X 92	9	5901BOI or CCA09ADUV	10 & 11
	G334X 116 and G334X 132	10	51001BOI or CCA10ADUV	10 & 11
	GB142	3	9301CPVC	5
GB312 90, 120, 160	6	9601GB	15	
GB312 200, 240, 280	8	9801GB	15	

Heatfab, Selkirk Corp

130 Industrial Boulevard • Turners Falls, MA 01376
800 772 0739 • Fax 413 863 4803 • www.heat-fab.com

Saf-T Vent® Appliance Adapters

Manufacturer	Make & Model	Flue Collar Diameter	Adapter Part #	Page	
Buderus	GB312 90, 120, 160 VENTED WITH CPVC	6	96GBCPVC	15	
	GB312 200, 240, 280 VENTED WITH CPVC	8	98GBCPVC	15	
	GBS	3"/5"	SC03AD07 (DESIGN TBD)		
	GC124 / 3 & 4	5	5501BOI or CCA05ADUV	10 & 11	
	GC124 / 5	6	5601BOI or CCA06ADUV	10 & 11	
Burnham	Revolution Series	3	9353BUREZ	3	
	Series 2PV	3	9353BUREZ	3	
	Spirit Series	3	9353BUREZ	3	
	INDEPENDENCE PV SERIES	3	9353BUREZ	3	
	MINUTEMAN SERIES	3	9353BUREZ	3	
	XG2000A SERIES	3	9353BUREZ	3	
	CHG150, CHG225	3 & 4	none required		
	SCG -3 thru SCG-7	3	9353BUREZ and SC if req.	3	
	SCG-8 & SCG-9	4	9454BUREZ	7	
	Freedom Series - FCM70, FCM90, FCM120	3	none required		
	ALPINE - ALP080, ALP105, ALP150, ALP210	3	9301PVC	5	
	ALPINE - ALP285, ALP399	4	9401PVC	8	
	PVG-3 THRU PVG-7	3	9353BUREZ and SC if req.	3	
	PVG-8 & PVG-9	4	9454BUREZ	7	
	V11 SERIES	8 thru 18	5_01BOI or CCA__ADUV	10 & 11	
	Camus	Dynaflame 500	6	5601BOI or CCA06ADUV	10 & 11
		Dynaflame 750, 1100	8	5801BOI or CCA08ADUV	10 & 11
Dynaflame 1500, 1750		10	51001BOI or CCA10ADUV	10 & 11	
Dynaflame 2000, 2500, 3000		12	51201BOI or CCA12ADUV	10 & 11	
Dynaflame Series 3500, 4000		9	5901BOI or CCA09ADUV	10 & 11	
Dynaflame Series 4500, 5000		10	51001BOI or CCA10ADUV	10 & 11	
Dynaflame Series 6000		12	51201BOI or CCA12ADUV	10 & 11	
Micoflame MFNH060, 100, 150		3	5301BOI	10 & 11	
Micoflame MFNH200, 250		4	5401BOI or CCA04ADUV	10 & 11	
Micoflame MFNH300, 400		5	5501BOI or CCA05ADUV	10 & 11	
Micoflame MFNH500, 600		6	5601BOI or CCA06ADUV	10 & 11	
Micoflame Series 2 MF800, 1000		8	5801BOI or CCA08ADUV	10 & 11	
Micoflame Series 2 MF1200, 1400		10	51001BOI or CCA10ADUV	10 & 11	
Micoflame Series 2 MF1600, 1800, 2000		12	51201BOI or CCA12ADUV	10 & 11	

Saf-T Vent® Appliance Adapters

Manufacturer	Make & Model	Flue Collar Diameter	Adapter Part #	Page	
Camus	Microflame Grande MF2000	12	51201BOI or CCA12ADUV	10 & 11	
	Microflame Grande MF2500, 3000	14	51401BOI or CCA14ADUV	10 & 11	
	Microflame Grande MF3500, 4000	16	51601BOI or CCA16ADUV	10 & 11	
Carel	UG045, 90, 180	3	9301UTI	3	
Cleaver Brooks	Clearfire MCF-750	6	5601BOI or CCA06ADUV	10 & 11	
	Clearfire MCF-1000	8	5801BOI or CCA08ADUV	10 & 11	
	Clearfire MCF-1500	12	51201BOI or CCA12ADUV	10 & 11	
	Clearfire MCF-1800	12	51201BOI or CCA12ADUV	10 & 11	
	FLX	10, 12, 16	CCA_ADFL	12	
	Clearfire CFC-500	6	5601BOI or CCA06ADUV	10 & 11	
	Clearfire CFC-750	6	5601BOI or CCA06ADUV	10 & 11	
	Clearfire CFC-1000	8	5801BOI or CCA08ADUV	10 & 11	
	Clearfire CFC-1500	12	51001BOI or CCA10ADUV	10 & 11	
	Clearfire CFC-1800	12	51201BOI or CCA12ADUV	10 & 11	
	Clearfire CFC-2500	12	51201BOI or CCA12ADUV	10 & 11	
	Columbia Boiler	CDV38 thru CDV125	3	9301UTI	3
		CDV150 thru CDV200	4	9401UTI	9
LVGD90-120		4	9464	10	
Comfortmaker	GUA or GDA Series 40, 60, 80	3	9301ICP	3	
	GUA or GDA Series 100, 120	4	9401ICP	8	
Conematic	SOL 2, AND SOL 3	3"/5"	Standard SC components		
Crown Boiler	Bali BWF 061-162	3	9301CRWN	3	
	Bali BWF 195-229	4	9401CRWN	7	
	Cabo CSC-50 thru CSC-150	3	9301CRWN	3	
	Cabo CSC-175 and CSC-200	4	9401CRWN	7	
	CXE-2 thru CXE-5	3	9301THI	3	
	CXE-6 and CXE-7	4	9464	10	
	XE Series (XE-2 thru XE-5)	4	9401DUN	7	
	BWC 150	3	none required		
	BWC 225	4	none required		
	BWC 300	4	9401VAIL	9	
	BWC 399 & BWC 425	5	9501MACH	19	
	CWD 060-138	3	9301CRWN	3	
	CWD 060-138	3	9301CRWN	3	

Saf-T Vent® Appliance Adapters

Manufacturer	Make & Model	Flue Collar Diameter	Adapter Part #	Page
DeDietrich	GT 120	4	9401MGTV	8
	DTG 120 FF	3"/5"	SC03AD04 or SC03AD04T	21
	GT 210A	6 & 7	5_01BOI or CCA__ADUV	10 & 11
	GT300A	7 & 8	5_01BOI or CCA__ADUV	10 & 11
	GT 400A	10 & 12	5_01BOI or CCA__ADUV	10 & 11
	GTE 500A	16 & 18	5_01BOI or CCA__ADUV	10 & 11
Dunkirk Radiator	XE Series (XE-2 thru XE-5)	4	9401DUN	7
	XEB-2 thru XEB-5	3	9301THI	3
	XEB-6 and XEB-7	4	9464	10
Ecosense (Rheem)	ECO-180DV	3"/5"	SC03AD05	21
Frigidaire	see Nordyne			
Fulton Boiler	PulsePak PHW-300, 500, 750, 950, 1000 (on/off)	4	Factory Supplied	7
	PulsePak PHW-300, 500, 750, 950, 1000, 1400 (modulating)	4	Factory Supplied (Gen.)	
	Pulse PHW-2000	6	Factory Supplied (Gen.)	
	Pulse PHW-2000QT	6	9601FMA	17
	Vantage 2000	10	51001BOI or CCA10ADUV	10 & 11
	Vantage 3000	10	51001BOI or CCA10ADUV	10 & 11
	Vantage 4000	14	51401BOI or CCA14ADUV	10 & 11
	VLP-750, 1150	4	9401FUL	7
	4" Fulton Exhaust Muffler	4	9401FMA	17
	6" Fulton Exhaust Muffler	6	9601FMA	17
	Pulse PDWH 750 and PDWH 1000	4	9401FUL	7
	Pulse PVLP750 and PVLP 1150	4	9401FUL	7
Gasmaster Industries	GMI 200, 300, 400	4	5401BOI	10
	GMI 600	6	5601BOI or CCA06ADUV	10 & 11
	GMI 800, 1M	8	5801BOI or CCA8ADUV	10 & 11
	GMI 1.5M, 2M	12	51201BOI or CCA12ADUV	10 & 11
	GMI 4M	18	51801BOI or CC18ADUV	10 & 11
	GMI 8M	24	52401BOI or CCA24ADUV	10 & 11
Gibson	see Nordyne			
General Electric	GN75DNSRSA, GN94DNSRSA	3"/5"	Standard SC components	
	GN94DPSRSA	4	9401AMTK	7

Saf-T Vent® Appliance Adapters

Manufacturer	Make & Model	Flue Collar Diameter	Adapter Part #	Page
Hatco Corporation	Powermite PMG-100 & -200	4	5401BOI	10
Hayward Pool Prod.	H250IDL, H350IDL, & H400IDL	6	Factory Supplied (HF)	
	H250FDN, H250FDP	6	Factory Supplied (HF)	
	H350FDN, H350FDP, H400FDN, H400FDP	8	Factory Supplied (HF)	
H. B. Smith	PVG-2 thru PVG-5	4	9401DUN	7
	PVGA-2 thru PVGA-5	3	9301THI	3
	PVGA-6 and PVGA-7	4	9464	10
	GT150, 200	3	9301CPVC	5
	GT400	4	9401CPVC	7
Hobart Corporation	IB57 & IB140 Booster Heater	3	9363	10
	IB235 & IB290 Booster Heater	4	9464	10
Hydrotherm	HI-85/50B, HI-125/75B, HI-165/100B)	4	9401MES	8
	ID-85A, ID-125A, ID-165A	4	9401MES	8
	Innova IHS-40 thru IHS-160	4	9401MES	8
	Sabre FX - 70, 105, and 140	3	9314SMI	5
	FX - 175 and 200	4	9414SMI	9
	KN -10	6	9601KN (Factory Supplied) or CCA06ADKN	17
	KN -6	6 to 5	Factory Supplied (HF)	
	KN -20	9	Factory Supplied (HF)	
	GX-150 and GX-200	3	9301CPVC	5
	GX-400	4	9401CPVC	7
International Comfort Products (ICP)	GUA or GDA Series 40, 60, 80	3	9301ICP	3
	GUA or GDA Series 100, 120	4	9401ICP	8
Laars Heating Systems	Endurance EBP, EDN, & EDP (all sizes)	3	SC Vent Kit (Mfg.) or 9301THI	3
	Heatmaker H,HP, & HW (all sizes)	3	9301THI	3
	Mini-Therm JVi JVH/JVP 50 -225	4	9401JVI	8
	Mini-Combo id	4	5401BOI	10
	Summit	3	9301CPVC	5
	Rheos 1200, 1600 or Rheos Plus 1200, 1600	6	5601BOI or CCA06ADUV	10 & 11

Heatfab, Selkirk Corp

130 Industrial Boulevard • Turners Falls, MA 01376
800 772 0739 • Fax 413 863 4803 • www.heat-fab.com

Saf-T Vent® Appliance Adapters

Manufacturer	Make & Model	Flue Collar Diameter	Adapter Part #	Page	
Laars Heating Systems	Rheos 2000 or Rheos Plus 2000	7	5701BOI or CCA07ADUV	10 & 11	
	Rheos 2400 or Rheos Plus 2400	10	51001BOI or CCA10ADUV	10 & 11	
	Pennant 500 (Cat I, III, & Sidewall)	6	5601BOI or CCA06ADUV	10 & 11	
	Pennant 750 (Cat. I)	8	5801BOI or CCA08ADUV	10 & 11	
	Pennant 750 (Cat. II & Sidewall)	6	5601BOI or CCA06ADUV	10 & 11	
	Pennant 1000 (Cat. I)	10	51001BOI or CCA10ADUV	10 & 11	
	Pennant 1000 (Cat. II & Sidewall)	8	5801BOI or CCA08ADUV	10 & 11	
	Pennant 1500 (Cat. I)	12	51201BOI or CCA12ADUV	10 & 11	
	Pennant 1500 (Cat. II & Sidewall)	10	51001BOI or CCA10ADUV	10 & 11	
	Pennant 2000 (Cat. I)	14	51401BOI or CCA14ADUV	10 & 11	
	Pennant 2000 (Cat. II & Sidewall)	12	51201BOI or CCA12ADUV	10 & 11	
	MightyMax Series				
	HH,PH,PW, & VW 0320M	6	9601LARS *	16	
	HH,PH,PW, & VW 0400M	7	9701LARS *	16	
	HH,PH,PW, & VW 0520M	8	9801LARS *	16	
	HH,PH,PW, & VW 0625M	8	9801LARS *	16	
	HH,PH,PW, & VW 0775M	9	9901LARS *	16	
	HH,PH,PW, & VW 1000M	10	91001LARS *	16	
	Mascot	3	9301CPVC	5	
	* Available from Laars Heating Systems for appliances being vented with AL294C.				
Lennox	CMWB-2 thru CMWB-5	3	9301THI	3	
	CMWB-6 and CMWB-7	4	9464	10	
	CXE-2 thru CXE-5	4	9401DUN	7	
	CXEB-2 thru CXEB-5	3	9301THI	3	
	CXEB-6 and CXEB-7	4	9464	10	
Lochinvar	Copper-Fin II CF & CH 300	5	5501BOI or CCA05ADUV	10 & 11	
	CF & CH 401, 501	6	5601BOI or CCA06ADUV	10 & 11	
	CF & CH 651, 751	8	5801BOI or CCA08ADUV	10 & 11	
	CF & CH 990	10	51001BOI or CCA10ADUV	10 & 11	
	CF & CH 1260, 1440	12	51201BOI or CCA12ADUV	10 & 11	
	CF & CH 1800, 2070	14	51401BOI or CCA14ADUV	10 & 11	
	Efficiency+ EB/EW/EP 100	3	9363	10	
	EB/EW/EP 150 and 200	4	9464	10	
	EB/EW/EP 250 and 300	5	9565 or 9514LOCH	10 & 16	
	Efficiency+ Sidewall Vent Cap Adapter	4	9454LOCH	16	
	Efficiency+ Sidewall Vent Cap Adapter	5	9555LOCH	16	

Saf-T Vent® Appliance Adapters

Manufacturer	Make & Model	Flue Collar Diameter	Adapter Part #	Page
Lochinvar	Intelli-Fin IBL & IBN 1500	6	5601BOI or CCA06ADUV	10 & 11
	Intelli-Fin IBL & IBN 1700	7	5701BOI or CCA07ADUV	10 & 11
	Intelli-Fin IBL & IBN 2000	8	5801BOI or CCA08ADUV	10 & 11
	Power-Fin PB & PF Series 0250	5	5501BOI or CCA05ADUV	10 & 11
	PB & PF Series 0500/0501	7	5701BOI or CCA07ADUV	10 & 11
	PB & PF Series 0750/0751	9	5901BOI or CCA09ADUV	10 & 11
	PB & PF Series 1000/1001	10	51001BOI or CCA10ADUV	10 & 11
	PB & PF Series 1300	12	51201BOI or CCA12ADUV	10 & 11
	PB & PF Series 1500	8	5801BOI or CCA08ADUV	10 & 11
	PB & PF Series 1700	8	5801BOI or CCA08ADUV	10 & 11
	PB & PF Series 2000	10	51001BOI or CCA10ADUV	10 & 11
	PBN & PFN Series 0502 (Cat. IV)	4	5401BOI or CCA04ADUV	10 & 11
	PBN & PFN Series 0502 (Cat. II)	7	5701BOI or CCA07ADUV	10 & 11
	PBN & PFN Series 0752 (Cat. IV)	5	5501BOI or CCA05ADUV	10 & 11
	PBN & PFN Series 0752 (Cat. II)	9	5901BOI or CCA09ADUV	10 & 11
	PBN & PFN Series 1002 (Cat. IV)	6	5601BOI or CCA06ADUV	10 & 11
	PBN & PFN Series 1002 (Cat. II)	10	51001BOI or CCA10ADUV	10 & 11
	PBN & PFN Series 1302 (Cat. IV)	8	5801BOI or CCA08ADUV	10 & 11
	PBN & PFN Series 1302 (Cat. II)	12	51201BOI or CCA12ADUV	10 & 11
	PBN & PFN Series 1501 (Cat. IV)	6	5601BOI or CCA06ADUV	10 & 11
	PBN & PFN Series 1501 (Cat. II)	8	5801BOI or CCA08ADUV	10 & 11
	PBN & PFN Series 1701 (Cat. IV)	7	5701BOI or CCA07ADUV	10 & 11
	PBN & PFN Series 1701 (Cat. II)	9	5901BOI or CCA09ADUV	10 & 11
	PBN & PFN Series 2001 (Cat. IV)	8	5801BOI or CCA08ADUV	10 & 11
	PBN & PFN Series 2001 (Cat. II)	10	51001BOI or CCA10ADUV	10 & 11
	ERN151 and ERN201	4	5401BOI or CCA04ADUV	10 & 11
	ERN251, 301, 401	5	5501BOI or CCA05ADUV	10 & 11
Knight KBN 080 - 285	3	9301PVC	5	
Knight KBN 399 & 500	4	9401PVC	7	
Modine	HD30 thru HD75	3	9301MOD	4
	HD 100 AND HD 125	4	5401BOI	10
	HDB 60 AND HDB 75	3	9301MOD	4
	HDB 100 AND HDB 125	4	5401BOI	10
	HDS 30 AND HDS 45	3	9301MOD	4
	HDS 60 THRU HDS 125	4	5401BOI	10
	HDC 60 THRU HDC 125	4	5401BOI	10
	PDP / BDP	5 & 6	9565 & 9666	10
	GT 400A	10 & 12	5_01BOI or CCA__ADUV	10 & 11
	Hot Dawg Vent Cap Adapter	3	9302MOD	4

Saf-T Vent® Appliance Adapters

Manufacturer	Make & Model	Flue Collar Diameter	Adapter Part #	Page
Monitor Products	MZ Series	3"/5"	SC03AD01	21
New Yorker	PVCG Series (30 thru 60)	3	9353BUREZ	3
Nordyne	FG6RA-045	3	9363	10
	FG6RA-060 THRU -120	4	9464	10
	FG6RA-144	5	9565	10
	FG6RAK (all models)	4	9464	10
Noritz	N-042	3	9301PAL	4
	N-063S, N-069M, N-084M, N-084M-DV	4	9401RYPK	20
	N-132	5	9501NOR	18
	N-0531S	3	9301UTI	3
	N-0631S, N-751M, N-841MC, N-931M	4	9401RYPK	20
Nortec	GHB / GHP / GHMC 100	3	9301AMTK	3
	GHB / GHP / GHMC 200 and 400	4	9401AMTK	7
	GS 100	3	9363	10
	GS 200	4	5401BOI or CCA04ADUV	10 & 11
	GS 300 / 400	5	5501BOI or CCA05ADUV	10 & 11
	GS 500 / 600	6	5601BOI or CCA06ADUV	10 & 11
Paloma Industries	PH-16, PH-20, PTG-42, PTG-53	3	9301PAL	4
	PH-28, PTG-74	4	9401RHM	8
	PH-25RDVS	3"/5"	SC03AD05	21
Patterson-Kelley	Modu-Fire N1000	10	51001BOI or CCA10ADUV	10 & 11
	Modu-Fire N1500 & N2000	12	51201BOI or CCA12ADUV	10 & 11
	Modu-Fire N1500MD	8 or 6*	9801PK08 or 9801PK06	18
	Modu-Fire N2000MFD	8 or 6*	9801PK08 or 9801PK06	18
	Thermific 700, 900, 1200	10	51001BOI or CCA10ADUV	10 & 11
	Thermific 1500, 1700, 1900	12	51201BOI or CCA12ADUV	10 & 11
	N1000MFD	6	5601BOI or CCA06ADUV	10 & 11
	N1000MFD WITH 5" VENTING	6	965PKMODU 6" to 5" REDUCER *	18
	N750MFD / N1000MFD WITH 4" VENTING	6	964PKMODU 6" to 4" REDUCER *	18
	N1500MFD / N2000MFD	8	9801PK08	18
	* Refer to Boiler instructions			

Saf-T Vent® Appliance Adapters

Manufacturer	Make & Model	Flue Collar Diameter	Adapter Part #	Page	
Patterson-Kelley	N1500MFD / N2000MFD WITH 6" VENTING	8	9801PK06 8" TO 6" REDUCER *	18	
	N1500MFD / N2000MFD WITH 6" UNIVERSAL VENTING	8	9801PK06UV 8" TO 6" REDUCER UNIV. *	18	
	Mach C - 300	4	9401MACH	19	
	Mach C-300 VENTED WITH CPVC	4	9401PKCPVC	19	
	Mach C - 450	5	9501MACH	19	
	Mach C-450 VENTED WITH CPVC	5	9501PKCPVC	19	
	Mach C - 750	6	Factory Supplied (HF)		
	Mach C-750 VENTED WITH CPVC	6	9601PKCPVC	19	
	Mach C - 900/1050	8	9801MACH	19	
	Mach C-900/1050 VENTED WITH CPVC	8	9801PKCPVC	19	
	Mach C - 1500 / 2000	9.8	91001MACH	18	
	Mach C - 1500 / 2000	10	91002MACH	18	
	Mach C - 1500 / 2000 WITH 8" VENTING	9.8	91001PK08 10" TO 8" REDUCER	18	
	Mach C - 1500 / 2000 WITH 8" VENTING	10	91002PK08 10" TO 8" REDUCER	18	
	Mach C - 1500 / 2000 WITH 6" VENTING	9.8	91001PK06 10" TO 6" (VERTICAL ONLY)	18	
	Mach C - 1500 / 2000 WITH 6" VENTING	10	91002PK06 10" TO 6" (VERTICAL ONLY)	18	
	* Refer to Boiler instructions				
	Peerless Heater	DE Series (all models)	3	9301AMTK	3
PDE Series (all models)		3	93PLSTEE	4	
PDE Vent Cap Adapter		3	9302PL	4	
PSC Series (all models)		3	9301AMTK	3	
Pennco	FS Series (FS-2 thru FS-5)	4	9401DUN	7	
	FSB-2 thru FSB-5	3	9363	10	
	FSB-6 and FSB-7	4	9464	10	
Pentair Pool Products	Master Temp Series 175K - 500K	4	9401SRI	9	
	MAX - E - THERM	4	9401SRI	9	
	Mini Max NT & Low NOX	4 or 5	5401BOI or 5501BOI	10 & 11	
Precision Temp	PT-200 Gas Booster Heater	4	9464	10	

Saf-T Vent® Appliance Adapters

Manufacturer	Make & Model	Flue Collar Diameter	Adapter Part #	Page
Pure Humidifier Co.	GX-3, GX-4	4	5401BOI or CCA04ADUV	10 & 11
	GX-8	6	5601BOI or CCA06ADUV	10 & 11
	GX-12	8	5801BOI or CCA08ADUV	10 & 11
PVI Industries	Power VT (all models)	4	9401PVI	8
Raypak	B-50 & B-130A Gas Booster Heater	3	9363	10
	B-195 Gas Booster Heater	4	9464	10
	Advanced Design Boiler (ADB)			
	ADB-500	6	9601RYPK	20
	ADB-750	8	9801RYPK	20
	ADB-1000 w/out CHX	9	9901RYPK	20
	ADB-1000 with CHX	10	91001RYPK	20
	ADB-1500	12	91201RYPK	20
	Hi Delta			
	122	4	9401RYPK	20
	162, 202, 242, 302	5	9501RYPK	20
	322, 402 and 502	6	9601RYPK	20
	652, 752, and 902	8	9801RYPK	20
	992	10	91001RYPK	20
	1262 and 1532	12	91201RYPK	20
	1802, 2002, and 2072	14	91401RYPK	20
	2342	16	91601RYPK	20
	Vent Cap Adapters (ADB , Hi-delta)	4	9490RYPK	20
		5	9590RYPK	20
		6	9690RYPK	20
	8	9890RYPK	20	
	9	9990RYPK	20	
	10	91090RYPK	20	
	12	91290RYPK	20	
	14	91490RYPK	20	
	16	91690RYPK	20	
	MVB 503, 753, 1003	6	5601BOI or CCA06ADUV	10 & 11
	MVB 1253, 1503, 1753, 2003	8	5801BOI or CCA08ADUV	10 & 11
RBI Water Heaters	Futera 65, 100, & 150	3	5301BOI	10
	Futera 200, 250, & 300	4	5401BOI	10
	Futera 350 & 400	5	5501BOI or CCA05ADUV	10 & 11

Saf-T Vent® Appliance Adapters

Manufacturer	Make & Model	Flue Collar Diameter	Adapter Part #	Page
RBI Water Heaters	Futera II 500 (Cat. IV)	6	5601BOI or CCA06ADUV	10 & 11
	Futera II 500 (Cat. II)	8	5801BOI or CCA08ADUV	10 & 11
	Futera II 750 (Cat. IV)	8	5801BOI or CCA08ADUV	10 & 11
	Futera II 750 & 1000 (Cat. II)	10	51001BOI or CCA10ADUV	10 & 11
	Futera II 1000 (Cat. IV)	9	5901BOI or CCA09ADUV	10 & 11
	Futera II 1250, 1500 (Cat. IV)	10	51001BOI or CCA10ADUV	10 & 11
	Futera II 1250, 1500 (Cat. II)	12	51201BOI or CCA12ADUV	10 & 11
	Futera II 1750, 1950 (Cat. IV)	12	51201BOI or CCA12ADUV	10 & 11
	Futera II 1750, 1950 (Cat. II)	14	51401BOI or CCA14ADUV	10 & 11
	Futera III 500, 750 (Cat. IV)	5	5501BOI or CCA05ADUV	10 & 11
	Futera III 500, 750 (Cat. II)	6	5601BOI or CCA06ADUV	10 & 11
	Futera III 1000 (Cat. IV)	6	5601BOI or CCA06ADUV	10 & 11
	Futera III 1000 (Cat. II)	7	5701BOI or CCA07ADUV	10 & 11
	Futera III 1250 (Cat. IV)	6	5601BOI or CCA06ADUV	10 & 11
	Futera III 1500 (Cat. IV)	8	5801BOI or CCA08ADUV	10 & 11
	Futera III 1250, 1500 (Cat. II)	8	5801BOI or CCA08ADUV	10 & 11
	Futera III 1750, 2000 (Cat. II and Cat. IV)	10	51001BOI or CCA10ADUV	10 & 11
	Futera Fusion CB/CW 500, 750, 1000	7	5701BOI or CCA07ADUV	10 & 11
	Futera Fusion CB/CW 1200, 1500	8	5801BOI or CCA08ADUV	10 & 11
	Futera Fusion CB/CW 1750, 2000	10	51001BOI or CCA10ADUV	10 & 11
RBI Water Heaters	Futera II, III, LCD, & Dominator Exhaust Term Adapters	6	9690RYPK	20
		8	9890RYPK	20
		9	9990RYPK	20
		10	91090RYPK	20
		12	91290RYPK	20
Reznor	FT 30-65	4	9464	10
	BE & FE 25 -100	4	9464	10
	BE & FE 125 -250	5	9565	10
	BE & FE 300-400	6	9666	10
Rheem	RTG-42, RTG-53	3	9301PAL	4
	RTG-74, GT-199PV	4	9401RHM	8
	RTG-53DV, RTG-66DV	3"/5"	SC03AD05	21

Saf-T Vent® Appliance Adapters

Manufacturer	Make & Model	Flue Collar Diameter	Adapter Part #	Page
Richmond	RMTG-42, RMTG-53	3	9301PAL	4
	RMTG-74	4	9401RHM	8
	RMTG-66DV	3"/5"	SC03AD05	21
	RMTG-53DV, RMTG-66DV	3"/5"	SC03AD05	21
Rinnai	Continum	3	SC Vent Kit (HF), SC03AD01, SC03AD01E	21
	R50LSI, R75LSI, R94LSI	3"/5"	Standard SC components	
	R98I, R98LSI	4	9401AMTK	7
Riverside Hydronics	Primera 400	6	5601BOI or CCA06ADUV	10 & 11
	Primera 750, 1000	8	5801BOI or CCA08ADUV	10 & 11
	Primera 1200,	10	51001BOI or CCA10ADUV	10 & 11
	Primera 1600, 2000	12	51201BOI or CCA12ADUV	10 & 11
	EPV Series, Emblem	4	5401BOI or CCA04ADUV	10 & 11
Ruud	RUTG-42, RUTG-53	3	9301PAL	4
	RUTG-74	4	9401RHM	8
	GT-199PV	4	9401RHM	8
	RUTG-53DV, RUTG-66DV	3"/5"	SC03AD05	21
Slant/Fin	Concept 21 Boiler (all models)	3	Factory Supplied (HF)	
	Prodigy 21 Boiler all models)	3	Factory Supplied (HF)	
	Victory Boiler (all models)	3	Factory Supplied (HF)	
	Victory II Boiler (all models)	3	Factory Supplied (HF)	
	Lynx LX-85	3	9301PVC	5
	Bobcat B-120, B-200	3	9301PVC	5
Smith Boiler	GV100W-3 thru GV100W-7	4	9401MES	8
	GS110-3, GS110-4, GS110-5	3	9314SMI	5
	GS110-6, GS110-7	4	9414SMI	9
	Series 19A	7 thru 12	5__01BOI or CCA__ADUV	10 & 11
	Series 28A	10 thru 18	5__01BOI or CCA__ADUV	10 & 11
Snyder General Furnace	GUA or GDA Series 40, 60, 80	3	9301ICP	3
	GUA or GDA Series 100, 120	4	9401ICP	8
Sta - Rite	Max-E-Therm SR Pool and Spa Heater (SR200, SR333, SR400)	4	9401SRI	9
	(Kit 77707-0086 from Sta-Rite)			

Saf-T Vent® Appliance Adapters

Manufacturer	Make & Model	Flue Collar Diameter	Adapter Part #	Page
State Water Heater	Aurora Tankless	4	9401RYPK	20
	GTS-305I, GTS-505I	3"/5"	Standard SC components	
	GTS-705I	4	9401AMTK	7
Sterling	TF 100 - 250	5	9565	10
	TF 300 - 400	6	9666	10
	RF Series	4	9464	10
Stero Company	SIB140 Booster Heater	3	9363	10
	SIB235 & SIB290 Booster Heater	4	9464	10
Takagi	FlashT-K1	4	9464	10
	Flash T-K2	4	9464	10
	Flash T-K3	4	9464	10
	Flash T-H1	4	9464	10
	Flash T-KD20*	4	9464	10
	Mobius T-M1*	4	9464	10
	Mobius T-M199	4	9464	10
	T-K1S, T-K2, & T-K Jr.*	4	9464	10
	* When using, TK-TV03, Back Flow Preventer on these models	4	9401AMTK	7
	T-M50	5	9501RYPK	20
Flash T-K3-SP	4	9464	10	
Tappan	see Nordyne			
Teledyne Laars	see Laars Heating Systems			
Thermal Solutions	Evolution EVH-250	3	Factory Supplied (HF)	
	Evolution EVH-500 & -750	4	Factory Supplied (HF)	
	Evolution EVH-1000,-1500,-2000	6	Factory Supplied (HF)	
	Evolution (Conventional Vent)			
	EVH-250	5	Factory Supplied (HF)	
	EVH-500	6	Factory Supplied (HF)	
	EVH-750	7	Factory Supplied (HF)	
	EVH-1000	9	Factory Supplied (HF)	
	EVH-1500	10	Factory Supplied (HF)	
	EVH-2000	12	Factory Supplied (HF)	
	Evolution EV-2000S	6	Factory Supplied (HF)	
Evolution EV-2500, 3000	8	Factory Supplied (HF)		
Solaris	4, 6, 8, 10	5_01BOI or CCA_ADUV	10 & 11	

Saf-T Vent® Appliance Adapters

Manufacturer	Make & Model	Flue Collar Diameter	Adapter Part #	Page
Thermo-Dynamics	LMGD (all models)	4	9464	10
	CWL-GS 120, 140, 160 Series	5	5501BOI or CCA05ADUV	10 & 11
	LMD 75, 100, 110	5	5501BOI or CCA05ADUV	10 & 11
Trianco-Heatmaker	Heatmaker H, HP, & HW (all sizes)	3	9301THI	3
Triangle Tube	HM Series G Model 25 & 30	3	9301DEL	5
	Delta Performance (all models)	3	SC Vent Kit (Mfg.), EZ Vent Kit (Mfg.), or 9301DEL	5
Utica Boilers	DV & DVA -38 thru -125	3	9301UTI	3
	DV & DVA -150 thru -200	4	9401UTI	9
	DVB -50 thru -125	3	9301UTI	3
	DVB -150 thru -200	4	9401UTI	9
	USC Series Boiler (all sizes)	3	9301UTI	3
Vaillant	GA100PV & SC (all models)	3	9301VAIL	4
	GA92160PV	4	9401VAIL	9
VAPAC	GF Series	3	9301UTI or Standard SC	3
Viessmann	Vitogas 050 ECV (all models)	3	9363	10
	Vitogas 100 GS10-72	8	5801BOI or CCA08ADUV	10 & 11
	Vitogas 100 GS10-84	9	5901BOI or CCA09ADUV	10 & 11
	Vitogas 100 GS10-96	10	51001BOI or CCA10ADUV	10 & 11
	Vitoden 100	3	9301VSMN	3
	Vitoden 200 WB2 6-24 & 8-32	3	9301VSMN	3
	Vitoden WB2 11-44 & 15 -60	4	9401VSMN	9
	Vertomat VSB-17, -22, -28	8	5801BOI or CCA08ADUV	10 & 11
	Vertomat VSB-37, -46, -57	10	51001BOI or CCA10ADUV	10 & 11
	Vertomat VSB-72, -89	12	51201BOI or CCA12ADUV	10 & 11
	Vitocrossal 300 Series, CT3-17, 22, 28	8	5801BOI or CCA08ADUV	10 & 11
	Vitocrossal 300 Series, CT3-37, 46, 57	10	51001BOI or CCA10ADUV	10 & 11
Vitocrossal 300 Series, CT3-72, 89	12	51201BOI or CCA12ADUV	10 & 11	
WaiWela	PH-16IFSN/P PH-20-RIFS/N	3	9301PAL	4
	PH28RIFS & PH28CIFS	4	9401RHM	8

Saf-T Vent® Appliance Adapters

Manufacturer	Make & Model	Flue Collar Diameter	Adapter Part #	Page
Weben Jarco	Vision 3000 750	6	Factory Supplied (HF)	
	Vision 3000 1000	8	Factory Supplied (HF)	
	Vision 3000 1500 & 2000	10	Factory Supplied (HF)	
	E-Finiti E_020	3	5301BOI	10
	E-Finiti E_040, E_060	4	5401BOI	10
	E-Finiti E_075, E_100	6	5601BOI or CCA06ADUV	10 & 11
	E-Finiti E_125, E_150	8	5801BOI or CCA08ADUV	10 & 11
	E-Finiti E_175, E_200	10	51001BOI or CCA10ADUV	10 & 11
Weil-McLain	Gold Series 3 & 4 (all models)	3	93WMSTXL	6
	Gold Series 2 (all models)	3	93WMSTRT (straight) 93WMSTLH (horz. elbow) 93WMSTLV (vert. elbow)	6
	CGi / CGs / CGt (all models)	3	93WMCGIS	6
	VHE Series (all models)	3	93WMSTEE	6
	Ultra Series UG-80, 105, 155	3	9301CPVC	5
	Ultra Series UG-230, 310	4	9401CPVC	7
Westinghouse	see Nordyne			
Williamson-Thermoflo	Gwi / GWs (all models)	3	93WMCGIS	6