

Date: \_\_\_\_\_

For:  File  Resubmit  
 Approval  Other \_\_\_\_\_

PO No.: \_\_\_\_\_

Architect: \_\_\_\_\_

GC: \_\_\_\_\_

Engr: \_\_\_\_\_

Mech: \_\_\_\_\_

Rep: \_\_\_\_\_

(Company) \_\_\_\_\_

(Project Manager) \_\_\_\_\_

**LS090HYV**  
**ArtCool™ Premier Ultra Efficiency Single Zone Inverter**  
**Outdoor Unit (ODU) - LSU090HYV Indoor Unit (IDU) - LSN090HYV**



**Performance:**

**Cooling:**

Capacity (Btu/h)	9,000
SEER	28
EER	16.4

SEER - Seasonal Energy Efficiency Ratio EER - Energy Efficiency Ratio

**Heating:**

Capacity (Btu/h)	11,000
HSPF	12.0

HSPF - Heating Seasonal Performance Factor

Cooling Nominal Test Conditions: Indoor: 80°F DB/67°F WB Outdoor: 95°F DB/75°F WB  
 Heating Nominal Test Conditions: Indoor: 70°F DB/60°F WB Outdoor: 47°F DB/43°F WB

**Electrical:**

**Outdoor Unit:**

Power Supply (V/Hz/∅)	208-230/60/1
MOP (A)	15.0
MCA (A)	10.0
Cooling Rated Amps (A)	8.24
Heating Rated Amps (A)	8.64
Compressor (A)	7.6
Fan Motor (A)	1.04

MOP - Maximum Overcurrent Protection MCA - Minimum Circuit Ampacity

**Indoor Unit:**

Power Supply (V/Hz/∅)	208-230/60/1
Cooling Power Input (kW)	0.55
Heating Power Input (kW)	0.74

**Piping:**

Liquid Line (in, OD)	1/4
Vapor Line (in, OD)	3/8
Additional Refrigerant (oz/ft)	0.22
Max Pipe Length (ft) <sup>1</sup>	49
Piping Length (no add'l refrigerant, ft)	25
Max Elevation (ft)	33

**Controls Features:**

- 24-Hour on/off timer
- 4-Way auto swing
- Auto changeover
- Auto restart
- Built-in low ambient operation to 14°F
- Chaos wind
- Condensate sensor connection
- Defrost control
- Dehumidifying mode
- Hot start
- Jet cool/Jet heat
- Self cleaning indoor coil
- Self diagnosis
- Sleep mode
- Soft dry operation
- Ultra quiet operation

**Optional Accessories (sold separately)**

- 7-Day Programmable Controller (Black) - PQRCVSL0
- 7-Day Programmable Controller (White) - PQRCVSL0QW
- PI485 - PMNFP14A0

**Operating Range:**

**Outdoor Unit:**

Cooling (°F DB)	14-118
Heating (°F WB)	14-75

**Indoor Unit:**

Cooling (°F DB)	64-86
Heating (°F DB)	60-86

**Unit Data:**

Refrigerant Type	R410A
Refrigerant Control	EEV
Refrigerant Charge (lbs)	2.76
ODU Sound Pressure (Max) ±3 dB(A) <sup>2</sup>	51
IDU Sound Pressure (H/M/L/Sleep) ±3 dB(A) <sup>2</sup>	39/34/26/17
ODU Net Unit Weight (lbs)	95
ODU Shipping Weight (lbs)	100
IDU Net Unit Weight	26
IDU Shipping Weight (lbs)	29
Heat Exchanger Coating	GoldFin™
Communication Cable (No x AWG) <sup>3</sup>	4 x 18

**Fan:**

ODU Type	Propeller
IDU Type	Cross Flow
Fan Speeds (Fan/Cooling/Heating)	5/6/6
Quantity (ODU + IDU)	1 + 1
Motor/Drive	Brushless Digitally Controlled/Direct
ODU Max Air Flow Rate (CFM)	1,165
IDU Air Flow H/M/L (CFM)	512/406/300
Dehumidification (pts/hr)	3.3

**Notes:**

- 1.Piping lengths are equivalent.
- 2.Sound Pressure levels are tested in an anechoic chamber under ISO Standard 1996.
- 3.All communication cable to be minimum 18 American wire gage (AWG), 2-conductor, stranded, shielded and must comply with applicable local and national code.
- 4.See Engineering Manual for sensible and latent capacities.
- 5.Power wiring cable size must comply with the applicable local and national code.
- 6.The indoor unit comes with a dry helium charge.
- 7.This data is rated 0 ft above sea level, with 24.6 ft of refrigerant line and a 0 ft level difference between outdoor and indoor units.
- 8.Must follow installation instructions in the applicable LG installation manual.

**Standard Features:**

- Limited Five Year Compressor Warranty
- Limited Three Year Functional Parts Warranty



Job Name/Location:

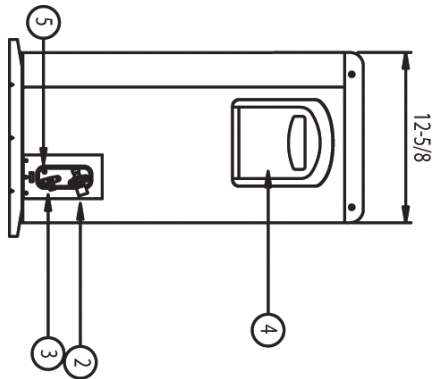
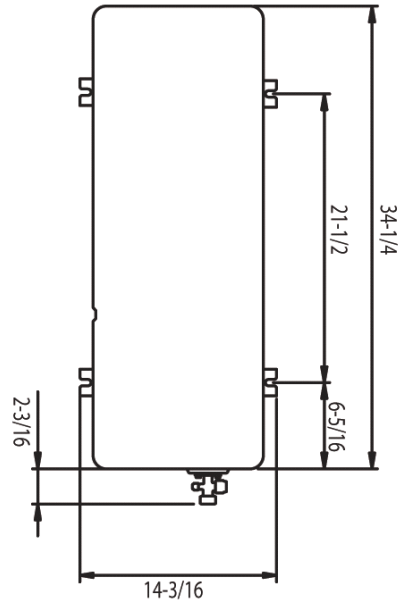
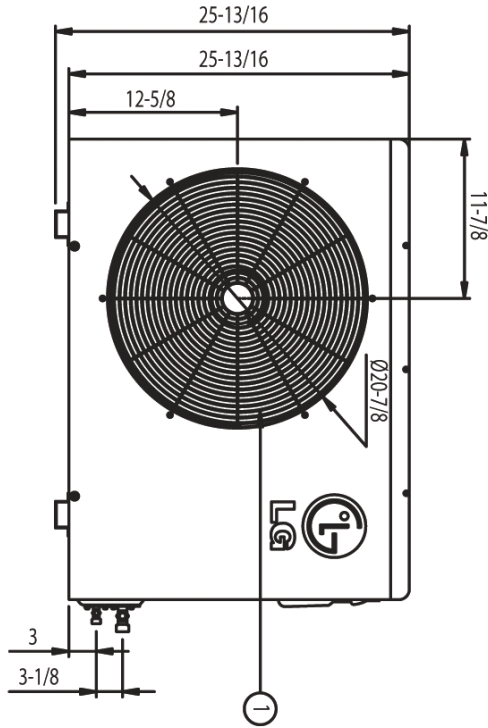
**Outdoor Unit (ODU) - LSU090HYV**  
 ArtCool™ Premier Ultra Efficiency Single Zone Inverter



Tag #: \_\_\_\_\_

Date: \_\_\_\_\_

PO No.: \_\_\_\_\_



Unit: inch

Item No.	Part Name	Remarks
1	Air Discharge Grille	
2	Gas Pipe Connection Port	
3	Liquid Pipe Connection Port	
4	Control Box	
5	Earth Screw	

# Indoor Unit (IDU) - LSN090HYV

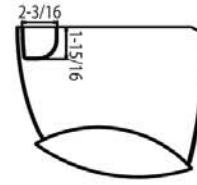
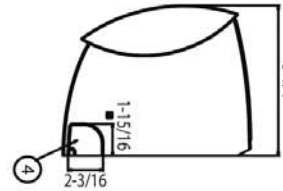
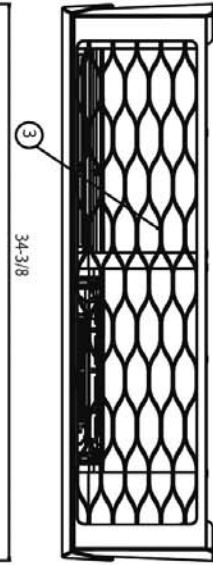
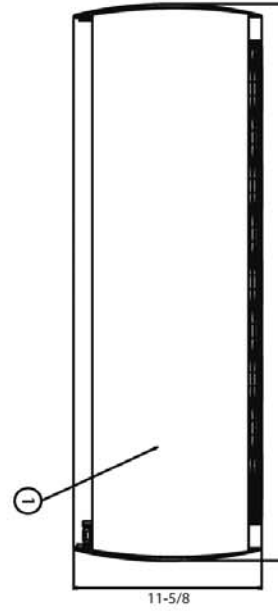
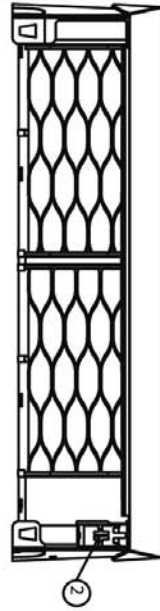
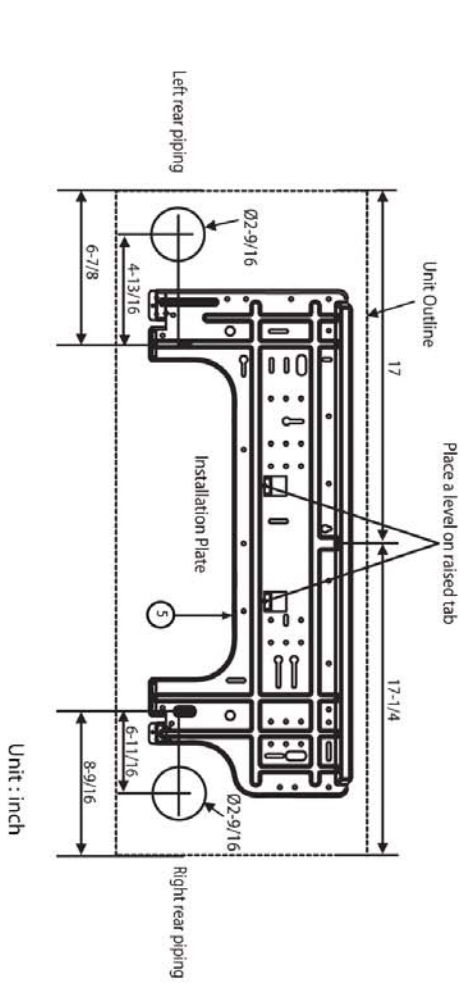
ArtCool™ Premier Ultra Efficiency Single Zone Inverter



Tag #:

Date:

PO No.:



Item No	Part Name	Remarks
1	Front Panel	
2	Display & Signal Receiver	
3	Air Suction Grille	
4	Knockout hole	For pipe and cable
5	Installation Plate	