

Date: \_\_\_\_\_

For:  File  Resubmit

PO No.: \_\_\_\_\_

Approval  Other \_\_\_\_\_

Architect: \_\_\_\_\_

GC: \_\_\_\_\_

Engr: \_\_\_\_\_

Mech: \_\_\_\_\_

Rep: \_\_\_\_\_

(Company)

(Project Manager)

**LS120HYV**  
 Art Cool™ Premier Ultra Efficiency Single Zone Inverter  
 Outdoor Unit (ODU) - LSU120HYV Indoor Unit (IDU) - LSN120HYV



**Performance:**

**Cooling:**

|                  |        |
|------------------|--------|
| Capacity (Btu/h) | 12,000 |
| SEER             | 26     |
| EER              | 14.1   |

SEER - Seasonal Energy Efficiency Ratio EER - Energy Efficiency Ratio

**Heating:**

|                  |        |
|------------------|--------|
| Capacity (Btu/h) | 13,600 |
| HSPF             | 11.5   |

HSPF - Heating Seasonal Performance Factor

Cooling Nominal Test Conditions: Heating Nominal Test Conditions:

Indoor: 80°F DB/67°F WB  
 Outdoor: 95°F DB/75°F WB

Indoor: 70°F DB/60°F WB  
 Outdoor: 47°F DB/43°F WB

**Electrical:**

**Outdoor Unit:**

|                                     |              |
|-------------------------------------|--------------|
| Power Supply (V <sup>1</sup> /Hz/Ø) | 208-230/60/1 |
| MOP (A)                             | 15.0         |
| MCA (A)                             | 10.0         |
| Cooling Rated Amps (A)              | 8.64         |
| Heating Rated Amps (A)              | 8.64         |
| Compressor (A)                      | 7.6          |
| Fan Motor (A)                       | 1.04         |

MOP - Maximum Overcurrent Protection MCA - Minimum Circuit Ampacity

**Indoor Unit:**

|                                     |              |
|-------------------------------------|--------------|
| Power Supply (V <sup>1</sup> /Hz/Ø) | 208-230/60/1 |
| Cooling Power Input (kW)            | 0.85         |
| Heating Power Input (kW)            | 0.96         |

**Piping:**

|  |      |
|--|------|
| Liquid Line (in, OD)                     | 1/4  |
| Vapor Line (in, OD)                      | 3/8  |
| Additional Refrigerant (oz/ft)           | 0.22 |
| Max Pipe Length (ft) <sup>2</sup>        | 49   |
| Piping Length (no add'l refrigerant, ft) | 41   |
| Max Elevation (ft)                       | 33   |

**Controls Features:**

- 24-Hour on/off timer
- Chaos wind
- Jet cool/Jet heat
- 4-Way auto swing
- Condensate sensor connection
- Self cleaning indoor coil
- Auto changeover
- Defrost control
- Self diagnosis
- Auto restart
- Dehumidifying mode
- Sleep mode
- Built-in low ambient operation to 14°F
- Hot start
- Soft dry operation
- Ultra quiet operation

**Optional Accessories (sold separately)**

- 7-Day Programmable Controller (Black) - PQRCVSL0
- 7-Day Programmable Controller (White) - PQRCVSL0QW
- PI485 - PMNFP14A0
- Dry Contact for third party thermostat - PQDSBNGCM1

For continual product development, LG reserves the right to change specifications without notice.

LG Electronics U.S.A., Inc., Englewood Cliffs, NJ. All rights reserved. "LG Life's Good" is a registered trademark of LG Corp. /www.lghvac.com

**Operating Range:**

**Outdoor Unit:**

|                 |        |
|-----------------|--------|
| Cooling (°F DB) | 14-118 |
| Heating (°F DB) | 5-75   |

**Indoor Unit:**

|                 |       |
|-----------------|-------|
| Cooling (°F DB) | 64-90 |
| Heating (°F DB) | 61-86 |

**Unit Data:**

|  |             |
|--|-------------|
| Refrigerant Type                                       | R410A       |
| Refrigerant Control                                    | EEV         |
| Refrigerant Charge (lbs)                               | 2.76        |
| ODU Sound Pressure (Max) ±3 dB(A) <sup>3</sup>         | 51          |
| IDU Sound Pressure (H/M/L/Sleep) ±3 dB(A) <sup>3</sup> | 39/34/26/17 |
| ODU Net Unit Weight (lbs)                              | 95          |
| ODU Shipping Weight (lbs)                              | 100         |
| IDU Net Unit Weight                                    | 26          |
| IDU Shipping Weight (lbs)                              | 29          |
| Heat Exchanger Coating                                 | GoldFin™    |
| Communication Cable (No x AWG) <sup>4</sup>            | 4 x 18      |

**Fan:**

|                                  |                                       |
|----------------------------------|---------------------------------------|
| ODU Type                         | Propeller                             |
| IDU Type                         | Cross Flow                            |
| Fan Speeds (Fan/Cooling/Heating) | 5/6/6                                 |
| Quantity (ODU + IDU)             | 1 + 1                                 |
| Motor/Drive                      | Brushless Digitally Controlled/Direct |
| ODU Max Air Flow Rate (CFM)      | 1,165                                 |
| IDU Air Flow H/M/L (CFM)         | 512/406/300                           |
| Dehumidification (pts/hr)        | 3.7                                   |

**Notes:**

1. Acceptable operating voltage: 187V - 253V.
2. Piping lengths are equivalent.
3. Sound Pressure levels are tested in an anechoic chamber under ISO Standard 1996.
4. All communication cable to be minimum 18 American wire gage (AWG), 2-conductor, stranded, shielded and must comply with applicable local and national code.
5. See Engineering Manual for sensible and latent capacities.
6. Power wiring cable size must comply with the applicable local and national code.
7. The indoor unit comes with a dry helium charge.
8. This data is rated 0 ft above sea level, with 24.6 ft of refrigerant line and a 0 ft level difference between outdoor and indoor units.
9. Must follow installation instructions in the applicable LG installation manual.

**Standard Features:**

- Limited Seven Year Compressor Warranty
- Limited Five Year Functional Parts Warranty



Job Name/Location:

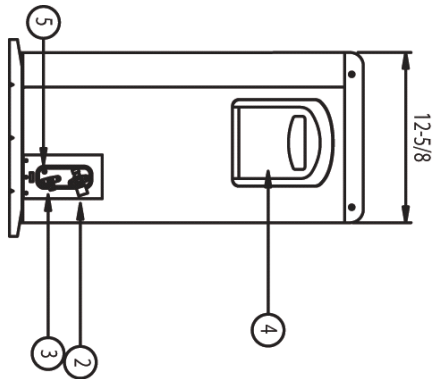
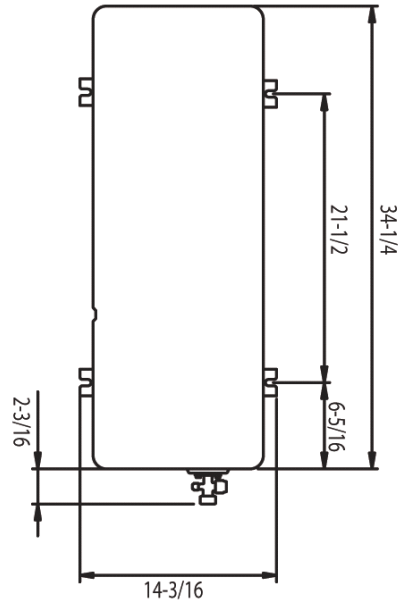
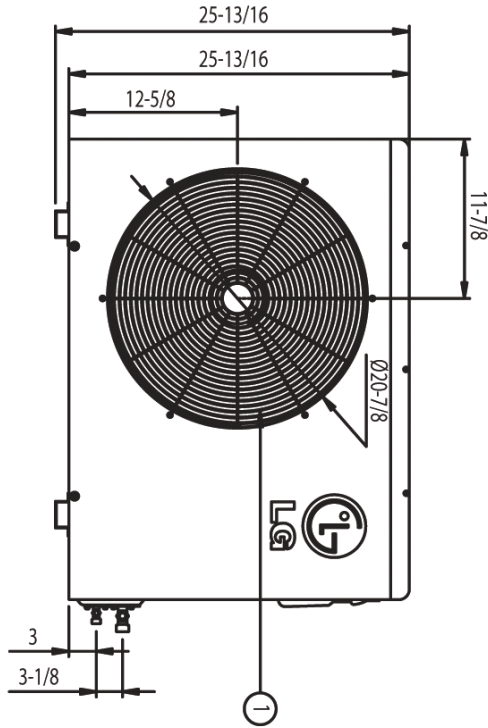
**Outdoor Unit (ODU) - LSU120HYV**  
 Art Cool™ Premier Ultra Efficiency Single Zone Inverter



Tag #: \_\_\_\_\_

Date: \_\_\_\_\_

PO No.: \_\_\_\_\_



Unit: inch

| Item No. | Part Name                   | Remarks |
|----------|-----------------------------|---------|
| 1        | Air Discharge Grille        |         |
| 2        | Gas Pipe Connection Port    |         |
| 3        | Liquid Pipe Connection Port |         |
| 4        | Control Box                 |         |
| 5        | Earth Screw                 |         |

# Indoor Unit (IDU) - LSN120HYV

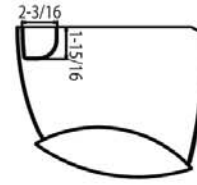
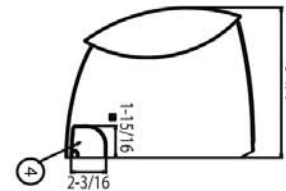
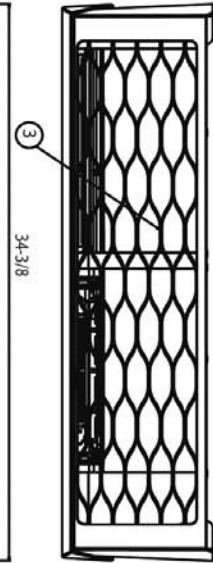
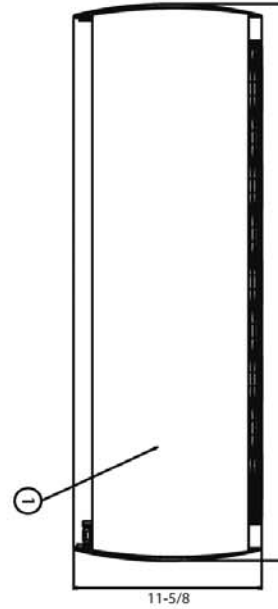
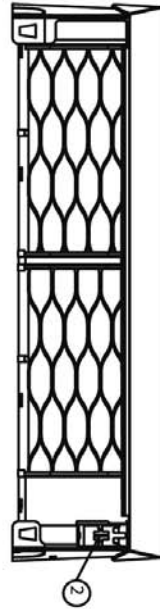
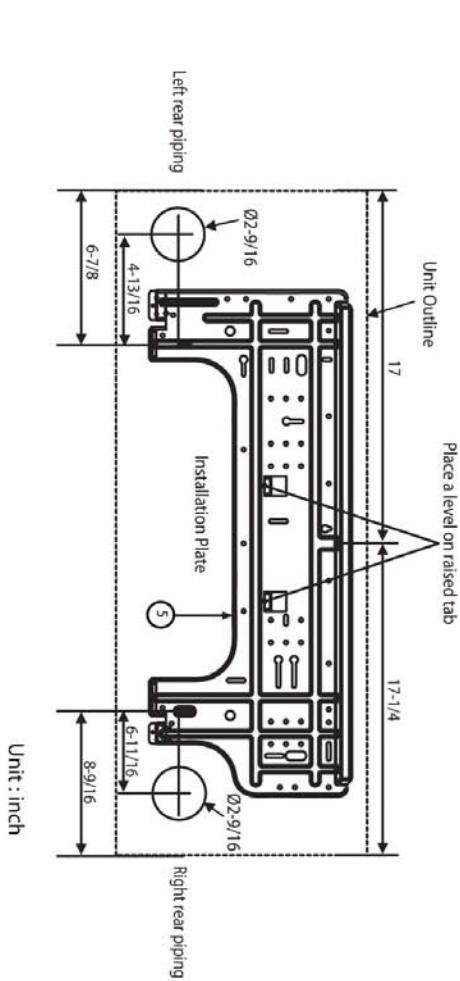
Art Cool™ Premier Ultra Efficiency Single Zone Inverter



Tag #:

Date:

PO No.:



| Item No | Part Name                 | Remarks            |
|---------|---------------------------|--------------------|
| 1       | Front Panel               |                    |
| 2       | Display & Signal Receiver |                    |
| 3       | Air Suction Grille        |                    |
| 4       | Knockout hole             | For pipe and cable |
| 5       | Installation Plate        |                    |

