

MAX

The Only

Boiler

You'll Ever

Need



LAARS 
Heating Systems Company

A subsidiary of **BRADFORD WHITE**
CORPORATION

Get The MAX For The Minimum

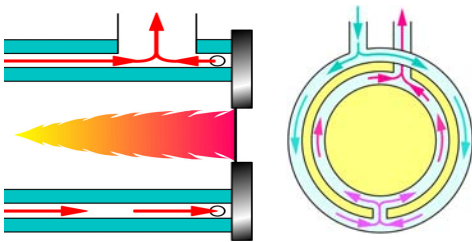


The MAX is the closest thing to heating perfection on the market

today. MAXimum efficiency and MAXimum convenience of installation and service ensure you will never use another boiler again.

Minimum water + maximum heat transfer = maximum efficiency.

The series counter flow design of the MAX vessel enables the water to travel in series between the two chambers, with the cool return water seeing the cooler flue gases and then, once preheated,



Flue Gas and Series Counter Flow

traveling into the inner jacket to meet the hottest flue gases. Coupled with the fact that the MAX does not have refractory material in the combustion chamber, MAXimum heat transfer is guaranteed.

The boiler's 3.2 gallons of water heat up quickly to immediately satisfy any demands from the heating zones. Low water content and heavy duty thermal insulation mean standby losses are practically non-existent.

MAXimum accuracy + MAXimum convenience = MAX "Control Center".

The MAX "Control Center" ensures a common flow temperature is sensed by all controls and that correct differentials are maintained giving more accurate readings and quicker responses. Most boilers have controls positioned at different locations and they invariably pick up different readings which can cause overlaps in temperature settings and nuisance lock outs.

The "Control Center" also aids in installation flexibility as it can be mounted in any direction with the controls in any configuration. And no costly air elimination

device is necessary as all the system air is eliminated automatically, with MAXimum efficiency.

Service is a snap.

Remove four bolts and the hinged front door swings open for trouble free cleaning. The door can be hinged on either side for flexibility and the back cover is easily removable if a full inspection is required. The "Control Center" and the supply and return are all located on top of the boiler so everything is easy to get at and work on.

MAXimum quality guaranteed.

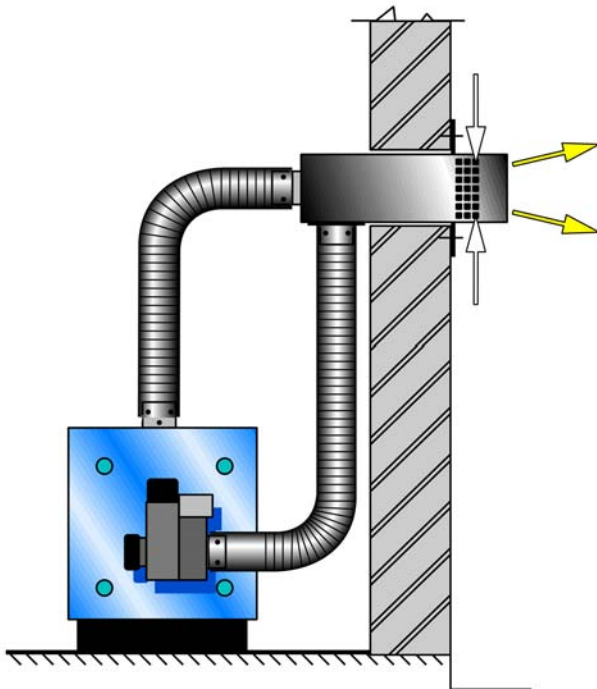
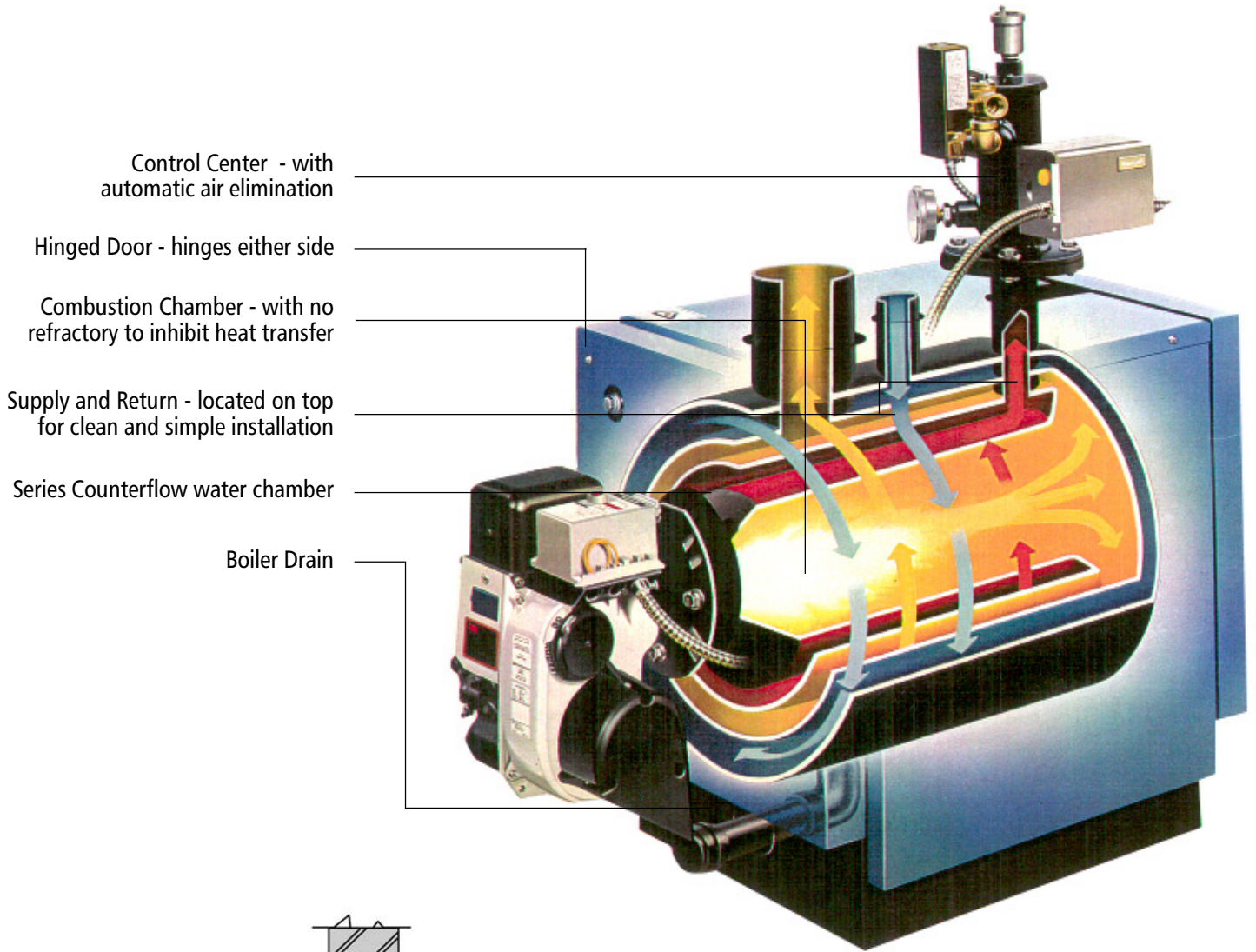
All backed by the best warranty in the business — a lifetime non-

prorated warranty on the steel vessel. Get the maximum performance, quality and convenience with the minimum fuss. Get the MAX.



Quiet is too loud a word.

"Quiet" is too loud a word to describe this venting. With the "Univent" terminal silencer and no power venter required, this boiler has to be Not Heard to be believed. It is also the only truly room sealed oil boiler thanks to the balanced flue "Univent" that terminates both the intake air and the exhaust.



Balanced Flue Univent silences and terminates intake air and exhaust gases.



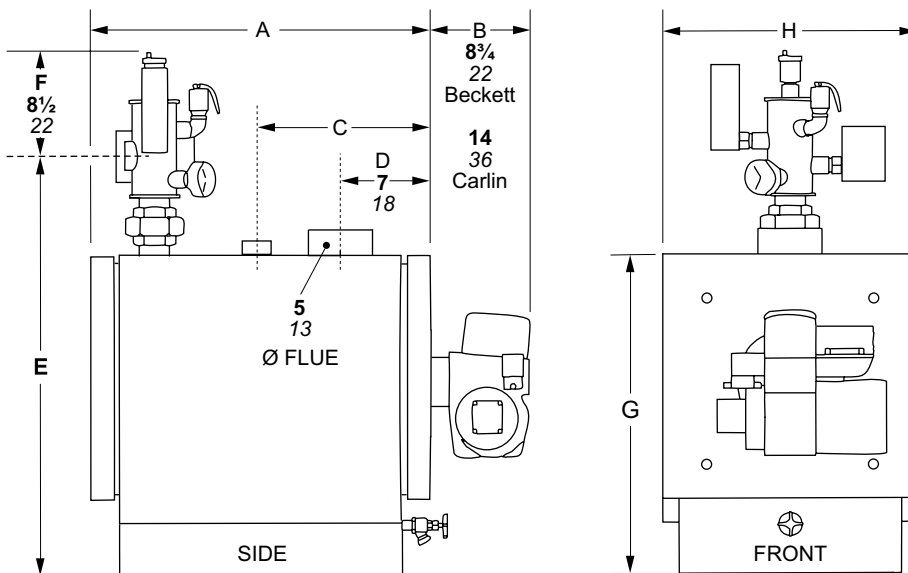
Call, fax, or write us today for more information about MAX Low Mass Boilers, or to speak with a representative.

Low Mass Boiler Specifications

Specification	MAX 75	MAX 100	MAX 120	MAX 140	MAX 165
Gross Input BTU's/hr.	105,000	140,000	168,000	196,000	231,000
D.O.E. Heating Capacity	91,350	121,100	144,480	169,344	196,350
A.F.U.E.%	87	86.5	86	86.4	85
Firing Rate G.P.H.	0.75	1	1.2	1.4	1.65
Net Stack Temperature	320°F	350°F	420°F	330°F	410°F
Water Capacity (Gallons)	3.2	3.2	3.2	5.1	5.1
Approximate Weight (lbs.)	324	324	324	431	431

Dimensions	Ref	MAX 75	MAX 100	MAX 120	MAX 140	MAX 165
Jacket Length	A	26½	26½	26½	27¾	27¾
Burner Length (Beckett)	B	8¾	8¾	8¾	8¾	8¾
Burner Length (Carlin)	B	14	14	14	14	14
Return Tapping Location	C	13½	13½	13½	12¾	12¾
Smoke Outlet Location	D	7	7	7	7	7
Supply Tapping Location	E	32¾	32¾	32¾	39¼	39¼
Overall Height (E&F)	E/F	41¼	41¼	41¼	47¾	47¾
Jacket Height	G	25	25	25	30¼	30¼
Jacket Width	H	20	20	20	24½	24½
Smoke Outlet Diameter		5	5	5	5	5
Supply Tapping Diameter		1¼	1¼	1¼	1¼	1¼

Dimensions shown in inches



Dimensions shown in inches cm.

MAX

Standard Features

- Limited Lifetime Non Prorated Warranty
- Honeywell Aquastat L8148
- Low Mass Boiler with 20 Gauge Jacket
- Stainless Steel Flue Turbulators
- Heavy Duty Insulation
- Pressure Relief Valve
- Series Counter Flow Vessel
- Tridicator
- TACO 007-F4 Circulator (not mounted)
- Honeywell Aquastat L4006E (DMAX only)
- Control Center Manifold
- Insulated Burner Door
- Beckett AF2/Carlin EZ1 Burner
- Automatic Air Elimination
- Hinged Front Door