



Using "Genuine Laars" parts will ensure accurate replacement and warranty coverage. Installation and Operation Manuals for current products are available on-line at www.Laars.com

Our Commitment

We believe the availability of factory authorized replacement parts is an essential component of customer service. We strive to provide every opportunity for our customers to order and stock factory authorized replacement parts, including special incentive, pricing and freight programs. Contact your Laars representative or sales manager for more details.

Ordering

Laars sells parts only through its normal distribution channels. The most commonly used parts are listed in this parts guide, and can be ordered through Laars stocking representatives or wholesalers. Call the Service Department for assistance in identifying parts not listed. Have the model and serial number of the unit before calling to assure accurate parts identification. Rush Orders: We make every effort to ship rush orders the same day at our regular prices, but cannot guarantee same day shipment. Express freight charged by carriers is not refundable regardless of ship date; please indicate alternate shipping choice if order cannot ship the same day. Some parts are subject to price changes and limited availability. Laars representatives or wholesalers should call the factory for price and lead time for non-current sheet metal parts, parts listed as "limited to stock on hand" and parts not listed in this document.

Terms and Conditions

1. Standard terms will apply to all parts orders.
2. Special pricing is available for bulk quantity orders. Contact the Customer Service Department for pricing and specifics.
3. Expedite fee for non-stocked heat exchangers, 24 hour turnaround \$250.00 net.
4. Expedite fee for non-stocked sheet metal parts (7 working days) is \$250.00 per part.
5. Cancellation fee for custom product already in production: \$250
6. All parts are shipped FOB warehouse.
7. Any excise or sales tax will be charged to and paid by the buyer. Buyer is solely responsible for providing valid resale certificates.

Salable Returns / Unused Parts

Parts in new condition with all original packaging will be considered for return within one year of date of purchase from Laars, subject to a 25% restocking charge *and* recovery of other discounts or incentives earned at time of purchase. Invoice number and date of purchase must be furnished. Refunds will be made to the original purchaser only, and will be made at the sole discretion of Laars. Return of parts may affect eligibility for other programs. Contact your Laars representative for more information.

Parts Limited Warranty

Laars warrants all parts to be free from defects in materials and workmanship to the original retail purchaser for one year from date of retail purchase. Proof of purchase is required. This limited warranty applies only to parts purchased for use as an original equipment replacement part in Laars Heating Systems boilers and water heaters. At its option, Laars will repair or replace any part that fails under this limited warranty. Repair or replacement shall be the sole remedy, and Laars shall not be liable for any field labor, removal, transportation to/from the factory, reinstallation or any other such costs.

Return Under Warranty

Parts should be returned to the place of purchase for warranty evaluation. If the original place of purchase is not known, contact your Laars wholesaler, factory representative or Contract Service Center. Wholesalers, factory representatives and Contract Service Centers returning parts for warranty consideration must obtain a RMA (Return Merchandise Authorization) number from the Customer Service Department. Each part must be tagged with the original purchase date, model and serial number of the boiler it was installed on, and a description of the failure. Parts must be returned freight prepaid and clearly marked with the RMA number. The RMA expires if not returned within 60 days of issuance. Contact your Laars representative or the Customer Service Department for more information on obtaining warranty coverage on large, heavy or bulky items.

Laars Heating Systems maintains a policy of continuous quality improvement.

Laars Heating Systems Company reserves the right to change specifications, components, features, or to discontinue products without notice. While Laars will make every reasonable effort to provide advance notice of changes, supplier actions, changes in code requirements, and Laars' efforts to continuously upgrade products will sometimes require that changes be introduced with minimal or no advance notice.



Heating Systems Company

A subsidiary of **BRADFORD WHITE** Corporation

RESIDENTIAL AND COMMERCIAL INDIRECT REPLACEMENT PARTS LIST

LAARS[®]-STOR[™] Single-Wall Indirect Models



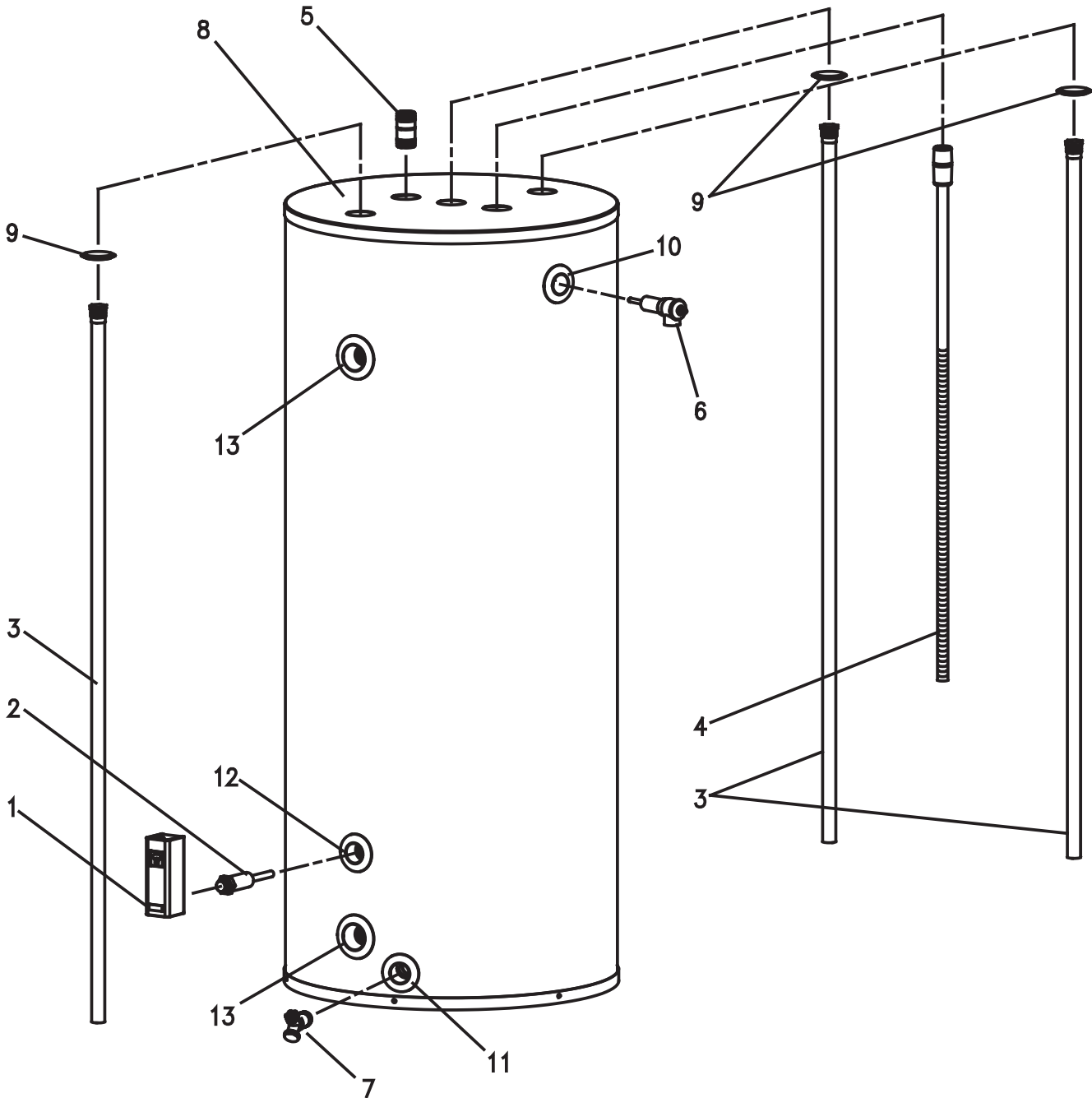
Effective: May 31, 2006

ECO 6763

**NOTE: BOTH MODEL AND
SERIAL NUMBER ARE
REQUIRED FOR ORDERING
REPLACEMENT PARTS**

Dimensions and specifications subject
to change without notice.

Reference Number & Description
1 Aquastat
2 Aquastat Well
3 Anode (aluminum)
4 Dip Tube, Polysulfone
5 Outlet Nipple
6 T&P Relief Valve
7 Brass Drain Valve
8 Jacket Head
9 Hole Closure
10 Escutcheon
11 Escutcheon
12 Finish Flange
13 Escutcheon



Parts Common To LS-SW-2-30-L, LS-SW-2-40-L, LS-SW-2-50-L

Reference Number and Description	Part Number
1 Aquastat	233-43381-00
2 Aquastat Well	233-43315-00
3 Anode (aluminum)	224-38508-06
6 T&P Relief Valve	230-40594-02
7 Brass Drain Valve	227-42351-02
9 Hole Closure	239-31547-02
10 Escutcheon	239-41337-00
11 Escutcheon	239-41337-00
12 Finished Flange	239-41337-00
13 Escutcheon	239-43303-00

Parts Unique To LS-SW-2-30-L

Reference Number and Description	Part Number
4 Dip Tube, Polysulfone*	229-39628-02
5 3/4 NPT Outlet Nipple*	229-43386-01
8 Jacket Head	243-45259-01

Parts Unique To LS-SW-2-40-L

Reference Number and Description	Part Number
4 Dip Tube, Polysulfone*	299-39628-02
5 3/4 NPT Outlet Nipple*	299-43386-01
8 Jacket Head	243-44974-01

Parts Unique To LS-SW-2-50-L

Reference Number and Description	Part Number
4 Dip Tube, Polysulfone*	229-39628-02
5 3/4 NPT Outlet Nipple*	229-43386-01
8 Jacket Head	243-44974-02

Parts Common To LS-SW-2-65-L, LS-SW-2-80-L, LS-SW-2-120-L

Reference Number and Description	Part Number
1 Aquastat	233-43381-00
2 Aquastat Well	233-43315-00
3 Anode (aluminum)	224-38508-07
6 T&P Relief Valve	230-40594-02
7 Brass Drain Valve	227-42351-02
9 Hole Closure	239-31547-02
10 Escutcheon	239-41337-00
11 Escutcheon	239-41337-00
12 Finished Flange	239-41337-00
13 Escutcheon	239-43303-00

Parts Unique To LS-SW-2-65-L

Reference Number and Description	Part Number
4 Dip Tube, Polysulfone*	229-39628-10
5 3/4 NPT Outlet Nipple*	229-43386-01
8 Jacket Head	243-45259-01

Parts Unique To LS-SW-2-80-L

Reference Number and Description	Part Number
4 Dip Tube, Polysulfone*	229-39628-10
5 3/4 NPT Outlet Nipple*	229-43386-01
8 Jacket Head	243-44974-01

Parts Unique To LS-SW-2-120-L

Reference Number and Description	Part Number
4 Dip Tube, Polysulfone*	229-43632-04
5 1" NPT Outlet Nipple*	229-43386-03
8 Jacket Head	243-43322-01

Parts Common To LS-SW-65C-5, LS-SW-80C-5, LS-SW-120C-5

Reference Number and Description	Part Number
1 Aquastat	233-43381-00
2 Aquastat Well	233-43315-00
3 Anode (aluminum)	224-38508-07
6 T&P Relief Valve	230-33630-04
7 Brass Drain Valve	227-42351-02
9 Hole Closure	239-31547-02
10 Escutcheon	239-81470-02
11 Escutcheon	239-41337-00
13 Escutcheon	239-43303-00

Parts Unique To LS-SW-65C-5

Reference Number and Description	Part Number
4 Dip Tube, Polysulfone*	229-43632-01
5 1" NPT Outlet Nipple*	229-43386-02
8 Jacket Head	243-45259-02

Parts Unique To LS-SW-80C-5

Reference Number and Description	Part Number
4 Dip Tube, Polysulfone*	229-43632-01
5 1" NPT Outlet Nipple*	229-43386-02
8 Jacket Head	243-45259-02

Parts Unique To LS-SW-120C-5

Reference Number and Description	Part Number
4 Dip Tube, Polysulfone*	229-43632-04
5 1" NPT Outlet Nipple*	229-43386-03
8 Jacket Head	243-43322-01
12 Escutcheon	239-41414-00

*Nipple extender 229-19000-00 may be required on earlier models, please provide serial number.



800.900.9276 • Fax 800.559.1583 (*Customer Service, Service Advisors*)
20 Industrial Way, Rochester, NH 03867 • 603.335.6300 • Fax 603.335.3355
1869 Sismet Road, Mississauga, Ontario, Canada L4W 1W8 • 905.238.0100 • Fax 905.366.0130
www.Laars.com

Litho in U.S.A. © Laars Heating Systems 0806 Document 11018