

LAARS-STOR™ SERIES®

Indirect Water Heaters



LAARS® 
Heating Systems Company
A subsidiary of **BRADFORD WHITE®** Corporation

LAARS-STOR™ SERIES®

Indirect Water Heaters

Laars® Heating Systems offers high volume single-wall and double-wall indirect water heaters. All model types feature a super-efficient heat exchanger – a carbon steel, glass-lined coil for the Laars-Stor™ Single Wall and a stainless steel coil for the Laars-Stor™ SS. The Laars-Stor2™ was recently introduced to the series and features a new double-wall heat exchanger. The new design is super-efficient and is the perfect mate for your boiler, heat pump or solar heating system.

Laars Heating Systems' single-wall and double-wall indirect models are dependable and durable water heaters that supply an unprecedented volume of hot water. They are built to last, problem-free, efficient and offer high deliverability for years. That's why all residential Laars-Stor™ and Laars-Stor2™ Series® indirect water heaters offer a Limited Lifetime Tank and Heat Exchanger Warranty.

When homes already have an existing boiler system, Laars single-wall and double-wall indirect water heaters are the perfect complement.



IMPORTANT REASONS TO CONSIDER A **LAARS-STOR™ SERIES® INDIRECT WATER HEATER**

SAVE MONEY AND ENERGY

Indirect water heaters use the home's boiler or furnace as the heat source. They are usually the least expensive way to provide hot water.

HIGH PERFORMANCE

Laars-Stor™ models feature a super efficient heat exchanger made of a glass-lined carbon steel tubing giving an exceptional first hour delivery and high volumes of hot water.

LOW PRESSURE DROP

Laars-Stor™ Series indirect water heaters were designed to minimize pressure drop so that customers get the hot water they want at the pressure they have come to expect.

EFFICIENCY

Since hot water is stored in the water heaters insulated storage tank, the boiler or furnace does not have to turn on and off as frequently, improving its fuel economy.

INSTALLATION EASE

These water heaters require no fuel or venting materials. They connect directly to an existing boiler.

LIMITED LIFETIME WARRANTY

Laars-Stor™ models were designed and built for problem free and reliable service. We offer this warranty because of our confidence in the dependability and durability of the product.

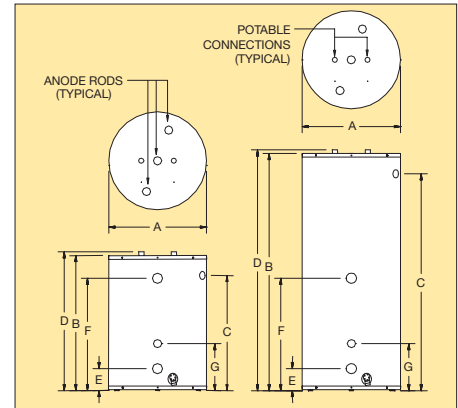


LAARS-STOR™ RESIDENTIAL ENERGY SAVER SINGLE-WALL INDIRECT WATER HEATER

The ingenious Laars-Stor™ single wall was engineered to provide the lowest pressure drop, the highest hot water output and the highest amount of effective actual heat transfer area of any indirect fired water heater in the industry.



- **Heat Exchanger**—Single wall 1½" glass coated steel.
- **Factory Installed Sediment Reduction System**—Cold water inlet sediment reducing device. Helps prevent sediment build-up in tank. Increases first hour delivery of hot water while minimizing temperature build-up at top of tank.
- **Three Protective Anode Rods**—Provides added protection against corrosion for long trouble-free service.
- **Glass Lined Tank**—Laars Heating Systems water heater tanks are protected from the corrosive effects of hot water by an exclusive ceramic porcelain-like coating.
- **Fully Automatic Controls**—Immersed Honeywell aquastat.
- **Factory Installed Nipples**—For longer water heater life, easier installation.
- **2" Non-CFC Foam Insulation**—Covers the sides and top of tank to save energy by retarding loss of heat.
- **Supply and Return Connections**—The 1" NPT female connections are located on the front for both the boiler supply and boiler return.
- **Stand-by Heat Loss**—Less than ½°F per hour.
- **Brass Drain Valve.**
- **T&P Relief Valve Included**—All models feature opening on side of tank.
- **Limited Lifetime Warranty on Steel Tank and Heat Exchanger**—Heavy gauge steel automatically formed, rolled and welded to assure a continuous seam for glass lining.
- **Six Year Limited Warranty on Parts.**



Residential Laars-Stor™

Model Number	Capacity			A		B		C		D		E		F		G		Shipping Weight	
	Imp. Gal.	U.S. Gal.	Liters	Jacket Diameter in.	cm.	Height Floor to Heater Top in.	cm.	Height Floor to T&P Conn. in.	cm.	Height Floor to Water Conn. in.	cm.	Height Floor to Exchanger Outlet in.	cm.	Height Floor to Exchanger Inlet in.	cm.	Height Floor to Aquastat in.	cm.	Approx. lbs.	kg.
LS-SW-2-30-L	25	30	114	22	56	33 5/8	85	28 1/4	72	34 3/8	87	5 3/8	14	27 1/2	70	11 1/2	30	140	64
LS-SW-2-40-L	32	38	143	22	56	41 1/8	104	34 3/8	87	41 7/8	106	5 3/8	14	27 1/2	70	11 1/2	30	172	77
LS-SW-2-50-L	40	48	182	22	56	46 1/4	112	40 1/8	102	47	119	5 3/8	14	27 1/2	70	11 1/2	30	180	82
LS-SW-2-65-L	50	60	227	22	56	59 1/4	150	53 1/8	135	60	152	5 3/8	14	27 1/2	70	11 1/2	30	196	89
LS-SW-2-80-L	62	75	284	24	61	59	150	52 7/8	135	59 3/4	152	5 3/8	14	27 1/2	70	11 1/2	30	224	102
LS-SW-2-120-L	97	116	439	28 1/4	72	62 1/2	159	55 3/4	142	63 1/4	161	6 3/8	16	28 1/2	72	11 1/2	30	355	161

Meets or exceeds the insulating standards established under ASHRAE Standard 90.1b (current edition).

General: All units are certified at 300 PSI (2068 kPa) test pressure and 150 PSI working pressure (1034 kPa). All potable water connections are ¾" (19mm) NPT on 8" (203mm) centers.

Dimensions and specifications subject to change without notice in accordance with our policy of continuous product improvement.

	LS-SW-2-30-L	LS-SW-2-40-L	LS-SW-2-50-L	LS-SW-2-65-L	LS-SW-2-80-L	LS-SW-2-120-L
1st Hr. US Gals. Rating @ 140°F	279	288	297	306	321	357
1st Hr. Liters Rating @ 60°C	1056	1090	1124	1158	1215	1351
1st Hr. US Gals. Rating @ 115°F	429	438	447	456	470	507
1st Hr. Liters Rating @ 46°C	1624	1658	1692	1726	1779	1919

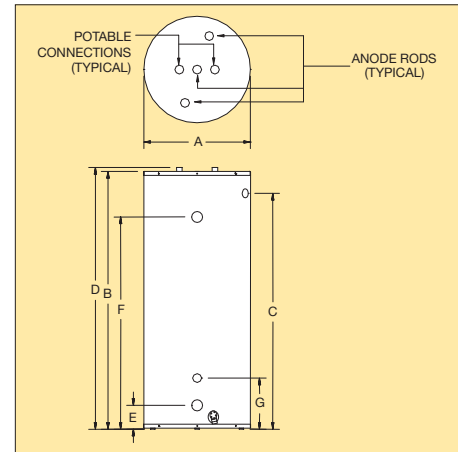
Note: All ratings are based on 200°F boiler water temperature, 50°F potable water inlet temperature and an approximate boiler output of 220,000 BTU/H

LAARS-STOR™ COMMERCIAL ENERGY SAVER SINGLE-WALL INDIRECT WATER HEATER

Laars-Stor™ single wall commercial models incorporate a super-efficient heat exchanger. Made of 1.5" diameter carbon steel tubing and coated with a glass-lining, it has a total heat surface area of 27.2 square feet. The result is an exceptional first hour delivery and vast hot water reserves.



- **Heat Exchanger**—Single wall 1½" glass coated steel.
- **Factory Installed Sediment Reduction System**—Cold water inlet sediment reducing device. Helps prevent sediment build-up in tank. Increases first hour delivery of hot water while minimizing temperature build-up at top of tank.
- **Three Protective Anode Rods**—Provides added protection against corrosion for long trouble-free service.
- **Glass Lined Tank**—Laars Heating Systems water heater tanks are protected from the corrosive effects of hot water by an exclusive ceramic porcelain-like coating.
- **Fully Automatic Controls**—Immersed Honeywell aquastat.
- **Factory Installed Nipples**—For longer water heater life, easier installation.
- **2" Non-CFC foam insulation**—Covers the sides and top of tank to save energy by retarding loss of heat.
- **Supply and Return Connections**—The 1" NPT female connections are located on the front for both the boiler supply and boiler return.
- **Stand-by Heat Loss**—Less than ½°F per hour.
- **Brass Drain Valve.**
- **T&P Relief Valve Installed**—All models feature opening on side of tank.
- **Five Year Limited Warranty on Steel Tank and Heat Exchanger**—Heavy gauge steel automatically formed, rolled and welded to assure a continuous seam for glass lining.
- **One Year Limited Warranty on Parts.**



Commercial Laars-Stor™

Model Number	Capacity			A		B		C		D		E		F		H		Shipping Weight	
	Imp. Gal.	U.S. Gal.	Liters	Jacket Diameter in. cm.	Height Floor to Heater Top in. cm.	Height Floor to T&P Conn. in. cm.	Height Floor to Water Conn. in. cm.	Height Floor to Exchanger Outlet in. cm.	Height Floor to Exchanger Inlet in. cm.	Height Floor to Aquastat in. cm.	Approx. lbs.	Approx. kg.							
LS-SW-65C-5	48	58	220	22 56	59¼ 150	53⅞ 135	60 152	5⅜ 14	47¾ 121	11½ 29	265	120							
LS-SW-80C-5	61	73	276	24 61	59 150	52⅞ 134	59 152	5⅜ 14	47¾ 121	11½ 29	293	133							
LS-SW-120C-5	95	114	431	28¼ 72	62½ 159	55¾ 142	60 161	6⅜ 16	48¾ 124	11½ 29	415	188							

Meets or exceeds the insulating standards established under ASHRAE Standard 90.1b (current edition).

General: All units are certified at 300 PSI (2068 kPa) test pressure and 150 PSI working pressure (1034 kPa). All potable water connections are ¾" (19mm) NPT on 8" (203mm) centers.

Dimensions and specifications subject to change without notice in accordance with our policy of continuous product improvement.

	LS-SW-65C-5	LS-SW-80C-5	LS-SW-120C-5
1st Hr. US Gals. Rating @ 140°F	534	546	583
1st Hr. Liters Rating @ 60°C	2021	2067	2207
1st Hr. US Gals. Rating @ 115°F	820	834	871
1st Hr. Liters Rating @ 46°C	3104	3157	3297

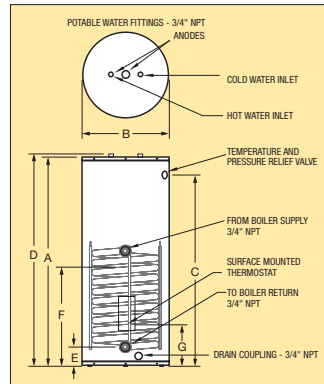
Note: All ratings are based on 200°F boiler water temperature, 50°F potable water inlet temperature and an approximate boiler output of 420,000 BTU/H

LAARS-STOR2™ RESIDENTIAL ENERGY SAVER DOUBLE-WALL INDIRECT WATER HEATER

The Laars-Stor2™ features a patented double-wall carbon steel heat exchanger coil coated with a glass-lining for corrosion resistance and long life. The Laars-Stor2™ supplies a first hour rating of 120 to 158 gallons per hour.



- **Heat Exchanger**—Double wall 1½" O.D. glass coated steel coil. Because the double wall coil has a positive leak path, the hydronic fluid will stay separate from the potable water.
- **Low Heat Exchanger Head Loss**—Up to 10 GPM flow, with less than 5 ft. of head loss. Greatly reduces the required pump size for heat exchange.
- **Factory Installed Sediment Reduction System**—Cold water inlet sediment reducing device. Helps prevent sediment build-up in tank. Increases first hour delivery of hot water while minimizing temperature build-up at top of tank.
- **Glass Lined Tank**—Laars Heating Systems water heater tanks are protected from the corrosive effects of hot water by an exclusive ceramic porcelain-like coating.
- **Fully Automatic Controls**—Fast acting surface-mount thermostat for automatic temperature control.
- **Water Connections**—¾" NPT factory installed true dielectric fittings. Extends water heater life and eases installation.
- **2" Non-CFC Foam Insulation**—Covers the sides and top of tank to save energy by retarding loss of heat. Also increases jacket rigidity.
- **Two Protective Aluminum Rods**—Provides added protection against corrosion for long trouble-free service.
- **Supply and Return Connections**—The ¾" NPT female connections are located on the front for both the boiler supply and boiler return.
- **Stand-by Heat Loss**—Less than ½°F per hour (ASHRAE 90.1b current standard).
- **Brass Drain Valve.**
- **T&P Relief Valve Included**—All models feature opening on side of tank.
- **Steel Tank**—Heavy gauge steel automatically formed, rolled and welded to assure a continuous seam for glass lining.
- **I-B-R Certified.**



Residential Laars-Stor2™

Model Number	Capacity			A		B		C		D		E		F		G		Shipping Weight	
	Imp. Gal.	U. S. Gal.	Liters	Floor to Heater Top in.	cm.	Jacket Diameter in.	cm.	Floor to T&P Conn. in.	cm.	Floor to Water Conn. in.	cm.	Floor to Boiler Outlet in.	cm.	Floor to Boiler Inlet in.	cm.	Floor to Thermostat in.	cm.	Approx. lbs.	kg.
LS-DW-2-40-L	32	38	144	41	104	22	56	34 ³ / ₈	87	41 ⁷ / ₈	108	5 ³ / ₈	14	27 ¹ / ₂	70	11 ¹ / ₂	29	170	76
LS-DW-2-50-L	40	48	182	46 ¹ / ₄	117	22	56	40 ¹ / ₈	102	47 ¹ / ₄	120	5 ³ / ₈	14	27 ¹ / ₂	70	11 ¹ / ₂	29	180	89
LS-DW-2-65-L	54	64	242	59	150	22	56	53 ¹ / ₈	135	60	153	5 ³ / ₈	14	27 ¹ / ₂	70	11 ¹ / ₂	29	196	89
LS-DW-2-80-L	63	75	284	59	150	24	61	52 ⁷ / ₈	134	59 ³ / ₄	152	5 ³ / ₈	14	27 ¹ / ₂	70	11 ¹ / ₂	29	224	102

I-B-R Water Heater Ratings						DOE Water Heater Performance				Heat Exchanger Head Loss					
Model	First Hour Rating @ 135°F (Gal./Hr.)	Continuous Draw Rating @ 135°F (Gal./Hr.)	Standby Heat Loss Rating (*F./Hr.)	Minimum Heat Req. Rate (BTU/Hr.)	Minimum Heat Source Flow Rate (Gal./Min.)	Model	Maximum First Hour Rating (Gal./Hr.) @ 140°F	Continuous Draw Rating (Gal./Min.) @ 115°F	Approximate Boiler Output Needed For Ratings (BTU/Hr.)	GPM	Ft. of Hd. Loss				
										2	5	8	10	12	
LS-DW-2-40-L	123	98	1.1	65,000	8.0	LS-DW-2-40-L	80	122	0.9 1.6	55,000	trace	0.4	2.3	4.6	6.9
LS-DW-2-50-L	133	98	0.9	65,000	8.0	LS-DW-2-50-L	87	129	0.9 1.6	55,000					
LS-DW-2-65-L	148	98	0.7	65,000	8.0	LS-DW-2-65-L	96	138	0.9 1.6	55,000					
LS-DW-2-80-L	158	98	0.6	65,000	8.0	LS-DW-2-80-L	106	148	0.9 1.6	55,000					

Notes: These certified ratings were obtained with a heat source output rate and flow rate as specified and a 180°F boiler water supply temperature. Other results will be obtained under different conditions.

Notes: Based on 200°F boiler water temperature and 50°F potable water inlet temperature.

Meets or exceeds the insulating standards established under ASHRAE Standard 90.1b (current edition).

Meets NAECA Requirements

General: All units are certified at 300 PSI test pressure (2068 kPa) and 150 PSI working pressure (1034 kPa). All potable water and heat exchanger connections are ¾" NPT (19mm) on 8" (203mm) centers.

Dimensions and specifications subject to change without notice in accordance with our policy of continuous product improvement.

Suitable for Water (Potable) Heating and Space Heating

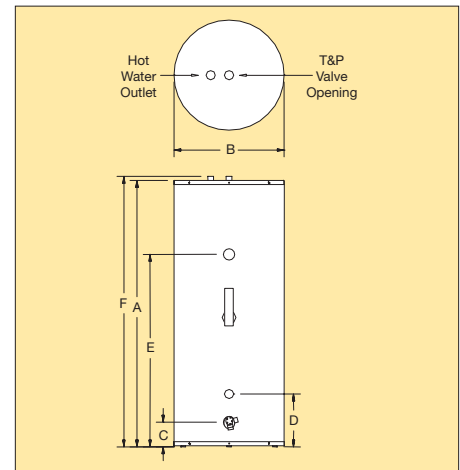
Toxic chemicals, such as those used for boiler treatment, shall NEVER be introduced into the potable water side. The potable side of this unit may NEVER be connected to any existing heating system or component(s) previously used with a non-potable water heating appliance. The heat exchanger side of the unit may be used in space heating applications.

LAARS-STOR™ SS ENERGY SAVER STAINLESS STEEL INDIRECT WATER HEATER

The Laars-Stor™ SS utilizes a superior grade of stainless steel for the tank and the heat transfer coil. This construction is lightweight and also resists pitting while minimizing inter-granular and stress corrosion. The Laars-Stor™ SS models provide superior thermal conductivity for higher efficiency.



- **Stainless Steel Tank and Heat Exchanger**—Made from chromium molybdenum - titanium ferritic 444 stainless steel alloy.
- **Supply and Return Connections**—The ¾" NPT female connections are located on the front for both the boiler supply and boiler return (1" NPT on LS-RTV-119).
- **CFC Free Polystyrene Insulation**—Form fitted and molded, this system contributes to greater heat retention, improved overall efficiency and reduced standby heat loss.
- **Jacket**—Corrosion and dent resistant plastic casing.
- **Stand-by Heat Loss**—Less than ½°F per hour.
- **Brass Drain/Return Valve.**
- **T&P Relief Valve Opening**—All models have special tapping on top of tank.
- **Warranty**—Residential models have a limited lifetime warranty on the tank and heat exchanger. The LS-RTV-119 is a commercial model and is furnished with a 5 year warranty on the tank and heat exchanger. For more details please refer to the complete copy of the warranty included with the heater.
- **Six Year Limited Warranty on Parts.**



Laars-Stor™ SS

Model Number	Capacity		A		B		C		D		E		F		Return in. cm.	Supply in. cm.	Shipping Weight lbs. kg.
	Imp. Gal.	U.S. Gal.	Height in. cm.	Diameter in. cm.	Cold Supply in. cm.	Boiler Return in. cm.	Boiler Supply in. cm.	Height to Hot Water Outlet in. cm.									
LS-RTV-40-L	—	39.6	38 96	23 ³ / ₄ 60	7 ¹ / ₄ 18	11 ¹ / ₂ 29	27 ¹ / ₄ 69	38 ¹ / ₂ 10	—	—	—	—	83 38				
LS-RTV-52-L	—	51.3	47 ³ / ₄ 121	23 ³ / ₄ 60	7 ¹ / ₄ 18	11 ¹ / ₂ 29	27 ³ / ₄ 70	48 ¹ / ₄ 123	—	—	—	—	93 42				
LS-RTV-75-L	—	74.5	65 ¹ / ₂ 166	23 ³ / ₄ 60	7 ¹ / ₄ 18	11 ¹ / ₂ 29	28 71	66 168	—	—	—	—	117 53				
LS-RTV-75D-L	—	74.5	65 ¹ / ₂ 166	23 ³ / ₄ 60	7 ¹ / ₄ 18	11 ¹ / ₂ 29	27 ¹ / ₂ 70	66 168	38 96	54 137	—	—	130 59				
LS-RTV-119-L	—	118.9	62 157	23 ³ / ₄ 79	10 ¹ / ₄ 26	16 ³ / ₄ 42	44 ³ / ₈ 113	62 ¹ / ₂ 159	—	—	—	—	315 142				

Model Number	Capacity		Performance				@180°F Supply		@200°F Supply	
	U.S. Gal.	Liters	Heat Surface Area (ft²)	Boiler Flow U.S. GPM	Gross Boiler Output BTU/Hr	Pressure Drop (Ft. W. C.)	First Hour @ 140°F	GPH Rec. @ 90°F Rise	First Hour @ 140°F	GPH Rec. @ 90°F Rise
LS-RTV-40-L	1.17	4.43	7.64	11	136,000	5.3	151	111	182	141
LS-RTV-52-L	1.56	5.91	10.01	11	173,000	8.7	192	141	231	180
LS-RTV-75-L	1.56	5.91	10.01	11	190,000	8.7	216	136	253	173
LS-RTV-75D-L	2.34	8.86	15.28	22	265,000	10.6	295	215	355	275
LS-RTV-119-L	4.60	17.4	21.31	15	252,000	3.1	298	178	337	217

- Notes:**
- 1) Inlet water temperature based on 50°F.
 - 2) LS-RTV-75D-L has 2 coils.
 - 3) LS-RTV-119 supplied with 3 extra plugged tappings (see manual).
 - 4) LS-RTV-119 equipped with steel casing.
 - 5) ¾" supply/return piping is recommended on heat source side.

Meets or exceeds the insulating standards established under ASHRAE Standard 90.1b (current edition).

General: All units are certified at 300 PSI (2068 kPa) test pressure and 150 PSI working pressure (1034 kPa). All potable water connections are ¾" (19mm) NPT (1¼" (32mm) NPT on LS-RTV-119).

Dimensions and specifications subject to change without notice in accordance with our policy of continuous product improvement.



View our entire product line at www.Laars.com

LAARS[®] 
Heating Systems Company
A subsidiary of **BRADFORD WHITE**[™] Corporation

800.900.9276 • Fax 800.559.1583 (Customer Service, Service Advisors)
20 Industrial Way, Rochester, NH 03867 • 603.335.6300 • Fax 603.335.3355 (Applications Engineering)
1869 Sismet Road, Mississauga, Ontario, Canada L4W 1W8 • 905.238.0100 • Fax 905.366.0130

www.Laars.com