



Using "Genuine Laars" parts will ensure accurate replacement and warranty coverage. Installation and Operation Manuals for current products are available on-line at www.Laars.com

Our Commitment

We believe the availability of factory authorized replacement parts is an essential component of customer service. We strive to provide every opportunity for our customers to order and stock factory authorized replacement parts, including special incentive, pricing and freight programs. Contact your Laars representative or sales manager for more details.

Ordering

Laars sells parts only through its normal distribution channels. The most commonly used parts are listed in this parts guide, and can be ordered through Laars stocking representatives or wholesalers. Call the Service Department for assistance in identifying parts not listed. Have the model and serial number of the unit before calling to assure accurate parts identification. Rush Orders: We make every effort to ship rush orders the same day at our regular prices, but cannot guarantee same day shipment. Express freight charged by carriers is not refundable regardless of ship date; please indicate alternate shipping choice if order cannot ship the same day. Some parts are subject to price changes and limited availability. Laars representatives or wholesalers should call the factory for price and lead time for non-current sheet metal parts, parts listed as "limited to stock on hand" and parts not listed in this document.

Terms and Conditions

1. Standard terms will apply to all parts orders.
2. Special pricing is available for bulk quantity orders. Contact the Customer Service Department for pricing and specifics.
3. Expedite fee for non-stocked heat exchangers, 24 hour turnaround \$250.00 net.
4. Expedite fee for non-stocked sheet metal parts (7 working days) is \$250.00 per part.
5. Cancellation fee for custom product already in production: \$250
6. All parts are shipped FOB warehouse.
7. Any excise or sales tax will be charged to and paid by the buyer. Buyer is solely responsible for providing valid resale certificates.

Salable Returns / Unused Parts

Parts in new condition with all original packaging will be considered for return within one year of date of purchase from Laars, subject to a 25% restocking charge *and* recovery of other discounts or incentives earned at time of purchase. Invoice number and date of purchase must be furnished. Refunds will be made to the original purchaser only, and will be made at the sole discretion of Laars. Return of parts may affect eligibility for other programs. Contact your Laars representative for more information.

Parts Limited Warranty

Laars warrants all parts to be free from defects in materials and workmanship to the original retail purchaser for one year from date of retail purchase. Proof of purchase is required. This limited warranty applies only to parts purchased for use as an original equipment replacement part in Laars Heating Systems boilers and water heaters. At its option, Laars will repair or replace any part that fails under this limited warranty. Repair or replacement shall be the sole remedy, and Laars shall not be liable for any field labor, removal, transportation to/from the factory, reinstallation or any other such costs.

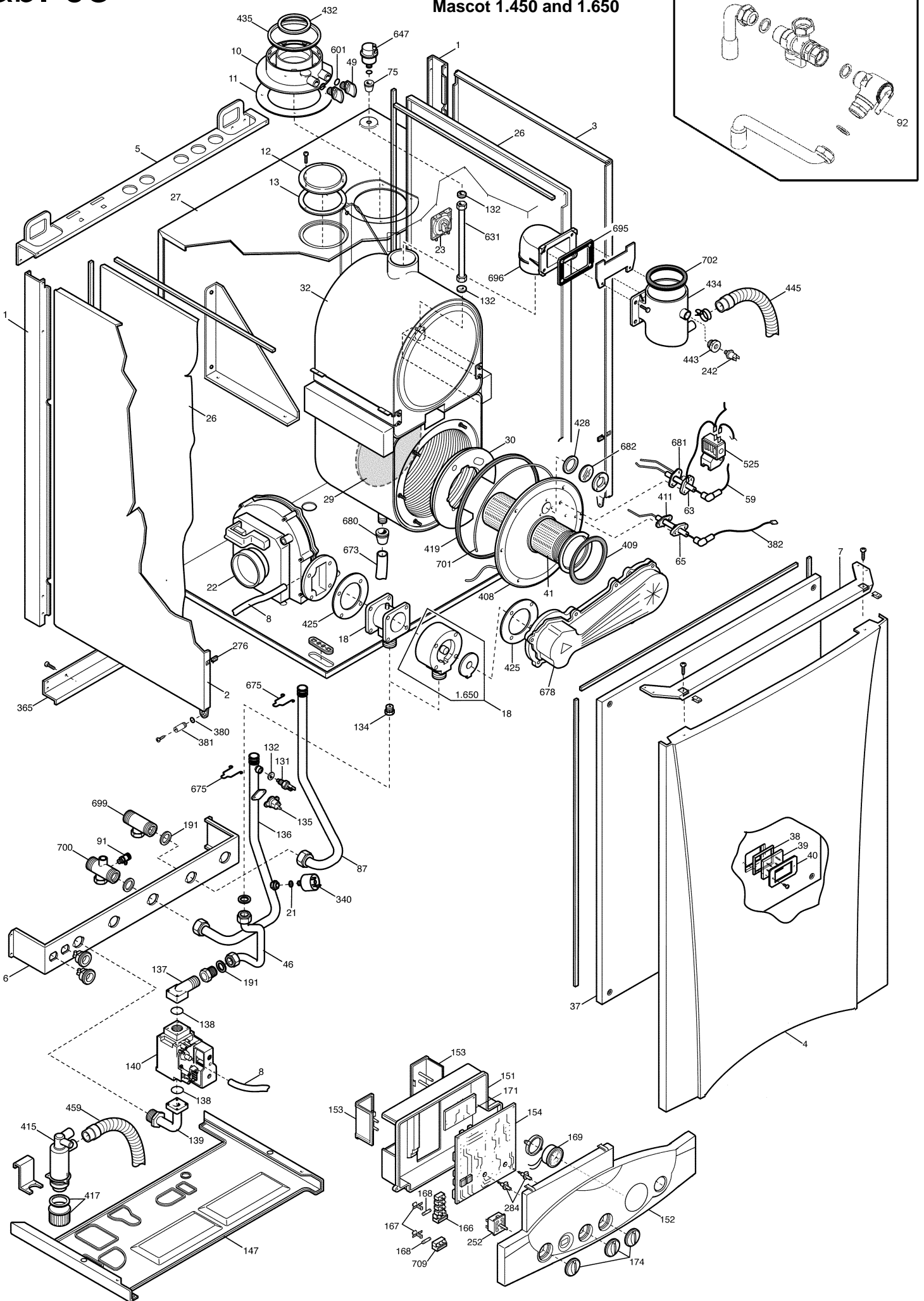
Return Under Warranty

Parts should be returned to the place of purchase for warranty evaluation. If the original place of purchase is not known, contact your Laars wholesaler, factory representative or Contract Service Center. Wholesalers, factory representatives and Contract Service Centers returning parts for warranty consideration must obtain a RMA (Return Merchandise Authorization) number from the Customer Service Department. Each part must be tagged with the original purchase date, model and serial number of the boiler it was installed on, and a description of the failure. Parts must be returned freight prepaid and clearly marked with the RMA number. The RMA expires if not returned within 60 days of issuance. Contact your Laars representative or the Customer Service Department for more information on obtaining warranty coverage on large, heavy or bulky items.

Laars Heating Systems maintains a policy of continuous quality improvement.

Laars Heating Systems Company reserves the right to change specifications, components, features, or to discontinue products without notice. While Laars will make every reasonable effort to provide advance notice of changes, supplier actions, changes in code requirements, and Laars' efforts to continuously upgrade products will sometimes require that changes be introduced with minimal or no advance notice.

Mascot 1.450 and 1.650



HT Range

Mascot 1.450 and 1.650

HT 1.450

HT 1.650

01/04/2005

Pos.	Description	Code	Tab 3	Tab 3	From serial number	To serial number	Interchangeable
1	LATERAL SUPPORT	5106510	●	●			
2	PANEL ASSEMBLY-LEFT	5663160	●	●			
3	PANEL ASSEMBLY- RIGHT	5663140	●	●			
4	PANEL ASSEMBLY- FRONT	5115330	●	●			
5	UPPER TRAVERSE	5114030	●	●			
6	CONNECTIONS TRAVERSE	5114580	●	●			
7	FRONTAL TRAVERSE	5107950	●	●			
8	PIPE -PRESSURE SWITCH	5406720	●	●			
10	FLUE ADAPTOR	5410690	●	●			
11	GASKET ADAPTOR	5410710	●	●			
12	PLATE -BLANKING	5108690	●	●			
13	GASKET-BLANKING PLATE	5407400	●	●			
18	PRESSURE SENSING VENTURI - D.24 HT 330	5663330	●				
18	PRESSURE SENSING VENTURI - D.30	618520		●			
21	WASHER - SEALING	5402080	●	●			
22	FAN - HT	5676650	●	●			
23	PRESS.FUMI HUBA 400-350Pa	5679720	●	●	B530		
26	SEALED CHAMBER LATERAL PANEL	5114610	●	●			
27	COMBUSTION CHAMBER ASSY- HT 330	5114600	●	●		B530	NO
27	COMBUSTION CHAMBER ASSY- HT	5115760	●	●	B530		
29	EXCHANGER REAR INSULATION	5410450	●	●			
30	INSULATION - HT	5410730	●	●			
32	HEAT EXCHANGER - 45KW	5676350	●				
32	HEAT EXCHANGER - 65KW	5676360		●			
37	PANEL-COMBUSTION BOX FRONT - HT	5671130	●	●			
38	GASKET - VIEWING WINDOW	5401610	●	●			
39	VIEWING WINDOW	5203930	●	●			
40	SURROUND - VIEWING WINDOW	5103360	●	●			
41	BURNER - 45KW	5670540	●				
41	BURNER - 65KW	5670560		●			
46	GAS PIPE ASSEMBLY	5676690	●				
46	GAS PIPE ASSEMBLY	5676700		●			
49	FLUE FLANGE CAP	5410880	●	●			
59	LEAD-IGNITION ELECTRODE	8510970	●	●			
63	ELECTRODE - IGNITION	8422830	●	●			
65	ELECTRODE - IONIZATION	8422840	●	●			
75	GROMMET - PIPE ASSY. D.10	5409240	●	●			
87	INLET PIPE ASSEMBLY	5670590	●	●			
91	DRAINING TAP	5652030	●	●			
92	HYDRAULIC SAFETY VALVE ASSEMBLY	5669900	●	●			
131	NTC SENSOR (SIEMENS)	8434840	●	●			
132	NTC SENSOR GASKET	5402830	●	●			
134	INJECTOR D. 8,5	5212740	●				
135	THERMOSTAT - LIMIT	9951070	●	●			
136	OUTLET PIPE ASSEMBLY	5670600	●	●			
137	CONNECTING ELEMENT (GAS VALVE/GAS PIPE)	5211780	●	●			
138	O-RING 22,22X2,62	5402010	●	●			
139	PIPE - GAS VALVE INLET	5676680	●	●			
140	GAS VALVE SIT SIGMA 848	5676670	●	●			
147	BOTTOM CLOSING PANEL	5109720	●	●			
151	COVER - ELECTRICAL BOX	5408570	●	●			
152	PANEL - FACIA - HT	5676710	●	●			

HT Range

Mascot 1.450 and 1.650

HT 1.450

HT 1.650

01/04/2005

Pos.	Description	Code	Tab 3	Tab 3	From serial number	To serial number	Interchangeable
153	PANEL -ACCESS	5408580	●	●			
154	PRINTED CIRCUIT BOARD SIEMENS LMU 34 120V	5674690	●	●			
166	TERMINAL BLOCK	8421590	●	●			
167	FUSE HOLDER	5405340	●	●			
168	FUSE 3,15A 250V	8422730	●	●			
169	GAUGE - PRESSURE	9951020	●	●			
171	RELAY P.C.B.	5676720	●	●			
174	KNOB	5410530	●	●			
191	WASHER - SEALING G1/2	5408970	●	●			
242	FLUE SAFETY THERMOSTAT 75°C	8434830	●	●			
252	SELECTOR SWITCH GOTTAK 4 POS.	8434550	●	●			
276	CLIP FOR FIXING SCREW	1340440	●	●			
284	POTENTIOMETER PIN	5405990	●	●			
340	SAFETY CH PRESSURE SWITCH	5663750	●	●			
365	LOWER TRAVERSE	5106530	●	●			
380	O-Ring 4,47X1,78	5400620	●	●			
381	CONTROL BOX'S PIN D.8	5209830	●	●			
382	FLAME SENSING ELECTRODE'S CABLE	8419910	●	●			
408	COMB. CHAMB. UPPER COVER	5212650	●	●			
409	BURNER CONNECTION GASKET	5410740	●	●			
411	FLAME SENSING ELECTRODE GASKET	5409110	●	●			
415	CONDENSE SIPHON BODY	5409060	●	●			
417	CONDENSE SIPHON PLUG ASSEMBLY	615380	●	●			
419	COMB. CHAMBER GASKET	5410710	●	●			
425	FAN CONNECTION GASKET	5409130	●	●			
428	GASKET	5409290	●	●			
432	GASKET	5410850	●	●			
434	AIR COLLECTOR	5410690	●	●			
435	GASKET D.125	5410860	●	●			
443	FLUE THERMOSTAT FIXING ELEMENT	5212090	●	●			
445	RUBBER PIPE	5410750	●	●			
459	RUBBER PIPE	5411610	●	●			
525	ANSTOS CONNECTOR- ZAG 2 XV 120V	5676610	●	●			
601	O-RING 8,73X1,78 EPDM	5408560	●	●			
631	AIR VENT PIPE ASSEMBLY	5670530	●	●			
647	AIR VENT VALVE	5652730	●	●			
673	PVC PIPE 15 X 23	5410760	●	●			
675	PRIMARY EXCHANGER FIXING CLIPS	5114730	●	●			
678	AIR/GAS COVER ASSEMBLY	5671090	●	●			
680	GROMMET - PIPE ASSY. D.15	5409250	●	●			
681	IGNITION ELECTRODE PROTECTION CAP	5409120	●	●			
682	VIEWING WINDOW	5211800	●	●			
695	GASKET	5410700	●	●			
696	FLUE SEPARATOR ELEMENT	5410680	●	●		B530	NO
696	FLUE SEPARATOR ELEMENT	5412080	●	●	B530		
699	INLET ELEMENT	5212680	●	●			
700	OUTLET ELEMENT	5212690	●	●			
701	GASKET D. 6	5212780	●	●			
702	AIR COLLECTOR GASKET - D. 70	5409270	●	●			
709	FUSE CARRIER MODULE	8423160	●	●			
999	FLUE THERMOSTAT/FAN CHECK/NTC SENSOR WIRING	8511730	●	●			
999	GAS VALVE/PUMP PRESS/ RELE PCB WIRING	8511740	●	●			

HT Range Mascot 1.450 and 1.650

HT 1.450

HT 1.650

01/04/2005

Pos.	Description	Code	Tab 3	Tab 3	From serial number	To serial number	Interchan- geable
999	DHW NTC SENSOR/PRESS/EXTERNAL SENSOR WIRING	8511710	●	●			
999	FAN/ANSTOS CONNECTOR WIRING	8511720	●	●			
999	PRESSOSTAT WIRING (CA)	8512210	●	●			
999	WIRING - PCB INPUT	8511680	●	●			



Heating Systems Company
A subsidiary of **BRADFORD WHITE** Corporation

800.900.9276 • Fax 800.559.1583 (**Customer Service, Service Advisors**)
20 Industrial Way, Rochester, NH 03867 • 603.335.6300 • Fax 603.335.3355
1869 Sismet Road, Mississauga, Ontario, Canada L4W 1W8 • 905.238.0100 • Fax 905.366.0130
www.Laars.com

Litho in U.S.A. © Laars Heating Systems 0806 Document 1203