



Using "Genuine Laars" parts will ensure accurate replacement and warranty coverage. Installation and Operation Manuals for current products are available on-line at www.Laars.com

Our Commitment

We believe the availability of factory authorized replacement parts is an essential component of customer service. We strive to provide every opportunity for our customers to order and stock factory authorized replacement parts, including special incentive, pricing and freight programs. Contact your Laars representative or sales manager for more details.

Ordering

Laars sells parts only through its normal distribution channels. The most commonly used parts are listed in this parts guide, and can be ordered through Laars stocking representatives or wholesalers. Call the Service Department for assistance in identifying parts not listed. Have the model and serial number of the unit before calling to assure accurate parts identification. Rush Orders: We make every effort to ship rush orders the same day at our regular prices, but cannot guarantee same day shipment. Express freight charged by carriers is not refundable regardless of ship date; please indicate alternate shipping choice if order cannot ship the same day. Some parts are subject to price changes and limited availability. Laars representatives or wholesalers should call the factory for price and lead time for non-current sheet metal parts, parts listed as "limited to stock on hand" and parts not listed in this document.

Terms and Conditions

1. Standard terms will apply to all parts orders.
2. Special pricing is available for bulk quantity orders. Contact the Customer Service Department for pricing and specifics.
3. Expedite fee for non-stocked heat exchangers, 24 hour turnaround \$250.00 net.
4. Expedite fee for non-stocked sheet metal parts (7 working days) is \$250.00 per part.
5. Cancellation fee for custom product already in production: \$250
6. All parts are shipped FOB warehouse.
7. Any excise or sales tax will be charged to and paid by the buyer. Buyer is solely responsible for providing valid resale certificates.

Salable Returns / Unused Parts

Parts in new condition with all original packaging will be considered for return within one year of date of purchase from Laars, subject to a 25% restocking charge *and* recovery of other discounts or incentives earned at time of purchase. Invoice number and date of purchase must be furnished. Refunds will be made to the original purchaser only, and will be made at the sole discretion of Laars. Return of parts may affect eligibility for other programs. Contact your Laars representative for more information.

Parts Limited Warranty

Laars warrants all parts to be free from defects in materials and workmanship to the original retail purchaser for one year from date of retail purchase. Proof of purchase is required. This limited warranty applies only to parts purchased for use as an original equipment replacement part in Laars Heating Systems boilers and water heaters. At its option, Laars will repair or replace any part that fails under this limited warranty. Repair or replacement shall be the sole remedy, and Laars shall not be liable for any field labor, removal, transportation to/from the factory, reinstallation or any other such costs.

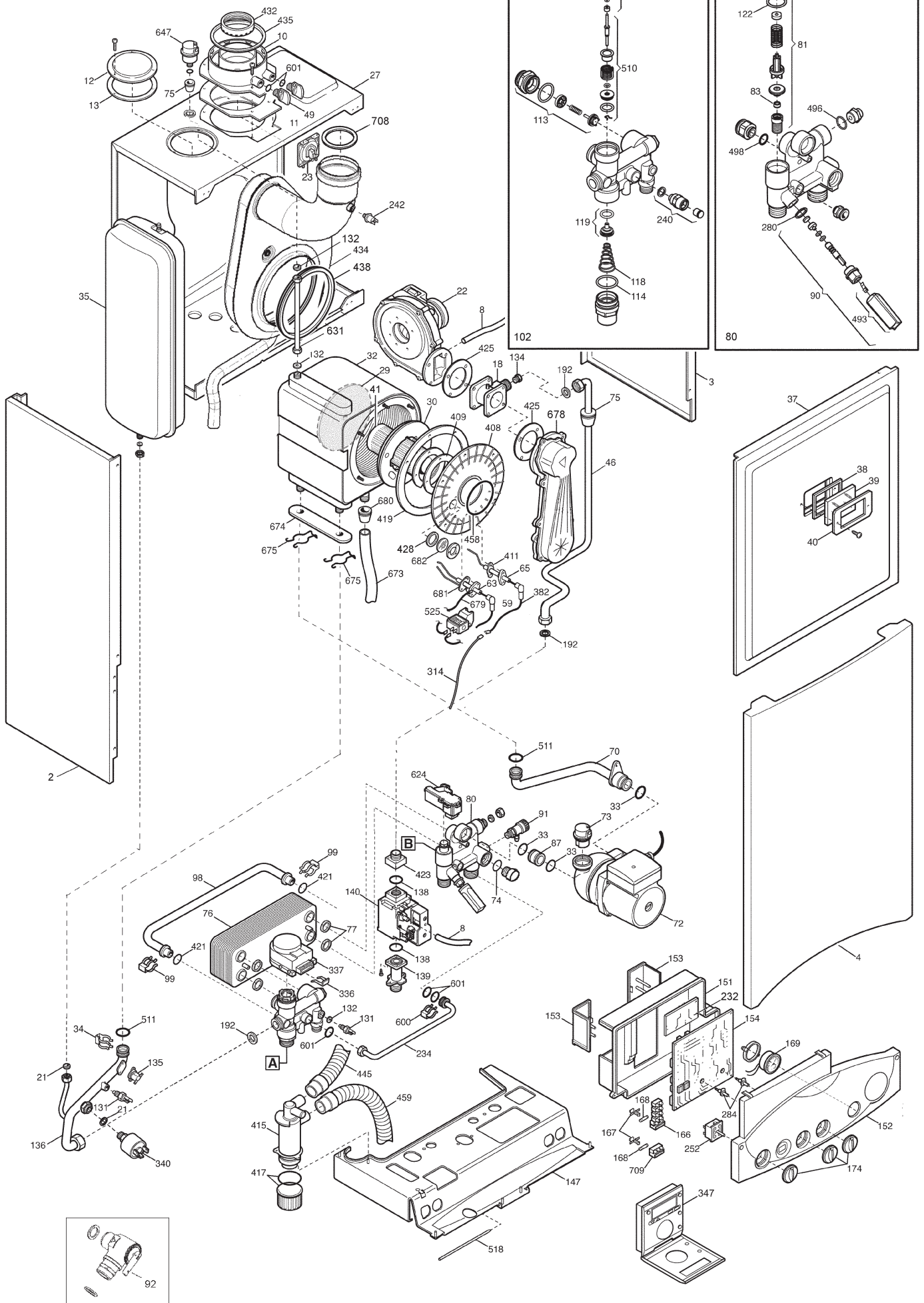
Return Under Warranty

Parts should be returned to the place of purchase for warranty evaluation. If the original place of purchase is not known, contact your Laars wholesaler, factory representative or Contract Service Center. Wholesalers, factory representatives and Contract Service Centers returning parts for warranty consideration must obtain a RMA (Return Merchandise Authorization) number from the Customer Service Department. Each part must be tagged with the original purchase date, model and serial number of the boiler it was installed on, and a description of the failure. Parts must be returned freight prepaid and clearly marked with the RMA number. The RMA expires if not returned within 60 days of issuance. Contact your Laars representative or the Customer Service Department for more information on obtaining warranty coverage on large, heavy or bulky items.

Laars Heating Systems maintains a policy of continuous quality improvement.

Laars Heating Systems Company reserves the right to change specifications, components, features, or to discontinue products without notice. While Laars will make every reasonable effort to provide advance notice of changes, supplier actions, changes in code requirements, and Laars' efforts to continuously upgrade products will sometimes require that changes be introduced with minimal or no advance notice.

Mascot HT 330



HT RANGE

Mascot HT 330

HT 1-330
HT-330

07/2005

Pos.	Description	Code	Tab 1	Tab 2	From serial number	To serial number	Interchangeable
2	PANEL ASSEMBLY-LEFT	5113450	●	●			
3	PANEL ASSEMBLY- RIGHT	5113440	●	●			
4	PANEL ASSEMBLY- FRONT	5114530	●	●			
8	PIPE -PRESSURE SWITCH	5409140	●	●			
10	FLUE ADAPTOR	5409020	●	●			
11	GASKET ADAPTOR	5409010	●	●			
12	PLATE -BLANKING	5108690	●	●			
13	GASKET-BLANKING PLATE	5407400	●	●			
18	PRESSURE SENSING VENTURI - D.24 HT 330	5663330	●	●			
21	WASHER - SEALING	5402080	●	●			
22	FAN - HT	5676580	●	●			
23	FAN PRESSURE SWITCH (HUBA 400-350Pa)	5679720	●	●	B530		
27	COMBUSTION CHAMBER ASSY- HT 330	5115490	●	●			
29	EXCHANGER REAR INSULATION	5410450	●	●			
30	INSULATION - HT	5409100	●	●			
32	HEAT EXCHANGER - 6E	5676570	●	●			
33	O-RING 22X3 EPDM	5403130	●	●			
34	CLIP - HEAT EX. - FIXING	5113650	●	●			
35	VESSEL - EXPANSION 10L ZILMET	5662630	●	●			
37	PANEL-COMBUSTION BOX FRONT - HT	5663410	●	●			
38	GASKET - VIEWING WINDOW	5401610	●	●			
39	VIEWING WINDOW	5203930	●	●			
40	SURROUND - VIEWING WINDOW	5103360	●	●			
41	BURNER - 6 E	5663430	●	●			
46	PIPE ASSEMBLY- GAS	5676590	●	●			
49	FLUE FLANGE CAP	5409280	●	●			
59	LEAD-IGNITION ELECTRODE	8511140	●	●			
63	ELECTRODE - IGNITION	8422830	●	●			
65	ELECTRODE - IONIZATION	8422840	●	●			
70	PIPE ASSEMBLY- RETURN/PUMP	5663350	●	●			
72	PUMP - UP 15-62 AO	5660100	●	●			
73	AIR VENT - AUTOMATIC	607290	●	●			
74	O-RING - AIR VENT	5406360	●	●			
75	GROMMET - PIPE ASSY. D.10	5409240	●	●			
76	HEAT EXCHANGER-DHW(22 PLATES) ALFA LAV.	5652190		●			
77	GASKET-PLATE HEAT EXCHANGER	5404520		●			
80	HYDRAULIC INLET ASSEMBLY WITH HALL EFFECT SENSOR - 12 L	5677900		●			
80	HYDRAULIC INLET ASSEMBLY	5655650	●				
81	FILTER VENTURI AND PADDLE ASSEMBLY - 12 L	618620		●			
83	FLOW RESTRICTOR - 12 L/MIN	5666130		●			
90	FILLING TAP ASSEMBLY	611930		●			
91	DRAINING TAP	5652030	●	●			
92	HYDRAULIC SAFETY VALVE ASSEMBLY	5669850	●	●			
98	BY-PASS PIPE ASSEMBLY	5672770	●				
98	BY-PASS PIPE ASSEMBLY	5212890		●			
99	CLIP - FIXING - BYPASS	8380850		●			
102	VALVE-3 WAY ASSEMBLY	5671520	●	●			
113	HYDRAULIC OUTLET / BY-PASS ASSEMBLY	617100	●	●			
114	O-RING 26,64x2,62 EP -50-	5403820	●	●			
118	CONIC SPRING	8380520	●	●			
119	HEATING PLATE ASSEMBLY	605760	●	●			
120	SANITARY PLUG ASSEMBLY	600750	●	●			
122	O-RING 23,47X2,62 E.P. -49-	5405370		●			
131	NTC SENSOR	8434840	●	●			
132	NTC SENSOR GASKET	5402830	●	●			
134	INJECTOR D. 12	5212150	●	●			
135	THERMOSTAT - LIMIT	9951070	●	●			
136	PIPE - EXCHANGER/HEATING FLOW	5676600	●	●			
138	O-RING 22,22X2,62	5402010	●	●			
139	CONNECTOR - GAS VALVE INLET	5206620	●	●			

HT RANGE

Mascot HT 330

HT 1-330
HT-330

07/2005

Pos.	Description	Code	Tab 1	Tab 2	From serial number	To serial number	Interchangeable
140	GAS VALVE SIT SIGMA 848	5676560	●	●			
147	PANEL - HYDRAULICS MOUNTING	5664340	●				
147	PANEL - HYDRAULICS MOUNTING	5662810		●			
151	COVER - ELECTRICAL BOX	5408570	●	●			
152	PANEL - FACIA - HT	5676620	●	●			
153	PANEL -ACCESS	5408580	●	●			
154	PRINTED CIRCUIT BOARD SIEMENS LMU 34 120V	5674690	●	●			
166	TERMINAL BLOCK	8421590	●	●			
167	FUSE HOLDER	5405340	●	●			
168	FUSE 2A 250V	9950580	●	●			
169	GAUGE - PRESSURE	9951020	●	●			
174	KNOB	5410530	●	●			
192	WASHER - SEALING G3/4	5404650	●	●			
200	CONNECTIONS - VACUUM PACK	5669930		●			
200	CONNECTIONS - VACUUM PACK	5669870	●				
232	PCB-AGU 2,002- REMOTE CONTROL	5661800	●	●			
234	FILLING PIPE ASSEMBLY	5671910		●			
240	RETAINING VALVE	618480		●			
242	FLUE SAFETY THERMOSTAT 85° MR	8435330	●	●			
252	SELECTOR SWITCH GOTTAK 4 POS.	8434550	●	●			
280	GASKET 14,2X18X1,5 AL -18-	5207730		●			
284	POTENTIOMETER PIN	5405990	●	●			
314	FLAME SENSING ELECTRODE CABLE	8419980	●	●			
336	FIXING SPRING	8380680	●	●			
337	3 WAY VALVE MOTOR	5676540	●	●			
340	HEATING PRESSURE SWITCH	5663750	●	●			
347	REMOTE CONTROL QAA73-SIEMENS	5669110	●	●			
382	FLAME SENSING ELECTRODE CABLE	8419910	●	●			
408	COMB. CHAMB. UPPER COVER	5211790	●	●			
409	BURNER CONNECTION GASKET	5409090	●	●			
411	FLAME SENSING ELECTRODE GASKET	5409110	●	●			
415	CONDENSE SIPHON BODY	5409060	●	●			
417	CONDENSE SIPHON PLUG ASSEMBLY	615380	●	●			
419	COMB. CHAMBER GASKET	5409080	●	●			
421	O-RING 11,91X2,62 NBR	5408270		●			
423	GAS VALVE CONNECTOR	5210410	●	●			
425	FAN CONNECTION GASKET	5409130	●	●			
428	GASKET	5409290	●	●			
432	GASKET	5410420	●	●			
434	AIR COLLECTOR	5676530	●	●			
435	GASKET D.100	5407550	●	●			
438	GASKET	5410480	●	●			
445	RUBBER PIPE	5411550	●	●			
458	O-RING 2,62 X 58,42	5409350	●	●			
459	RUBBER PIPE	5411610	●	●			
493	FILLING KNOB ASSEMBLY	612130		●			
496	O-RING 2062	400020	●	●			
498	O-RING 2056	400030		●			
507	NO-RETURN VALVE	5663020	●				
510	DHW PADDLE ASSEMBLY	600760	●	●			
518	CONTROL PANEL PIN	5107180	●	●			
525	ANSTOS CONNECTOR	5676610	●	●			
600	SPRING CLIP	5112530		●			
601	O-RING 8,73X1,78 EPDM	5408560	●	●			
624	HALL EFFECT SENSOR	8435280		●			
631	AIR VENT PIPE ASSEMBLY	5663310	●	●			
647	AIR VENT VALVE	5652730	●	●			
673	EPDM PIPE 15X23 L=370	5411560	●	●			
674	PRIMARY EXCHANGER GASKET 5/6 E.	5409410	●	●			
675	PRIMARY EXCHANGER FIXING CLIPS	8380780	●	●			

HT RANGE

Mascot HT 330

HT 1-330
HT-330

07/2005

Pos.	Description	Code	Tab 1	Tab 2	From serial number	To serial number	Interchangeable
678	AIR/GAS COVER ASSEMBLY	5665130	●	●			
679	CABLE EARTH/IGNITOR	8510980	●	●			
680	GROMMET - PIPE ASSY. D.15	5409250	●	●			
681	IGNITION ELECTRODE PROTECTION CAP	5409120	●	●			
682	VIEWING WINDOW	5211800	●	●			
708	GASKET D. 60	5411700	●	●			
709	FUSE CARRIER MODULE	8423160	●	●			
999	GAS VALVE/PUMP/3 PORT VALVE WIRING	8511640	●	●			
999	DHW NTC SENSOR/PRESS/EXTERNAL SENSOR WIRING	8511670		●			
999	DHW NTC SENSOR/PRESS/EXTERNAL SENSOR WIRING	8511710	●				
999	WIRING - PCB INPUT	8511680	●	●			
999	FLUE THERMOSTAT/FAN CHECK/HEATING SYSTEM NTC SENSOR WIRING	8511650	●	●			
999	FAN/ANSTOS CONNECTOR WIRING	8511630	●	●			
999	KIT REMOTE CONTROL WIRING	8512150	●	●			
999	KIT REMOTE CONTROL LOW TENSION WIRING	8512160	●	●			
999	PRESSOSTAT WIRING (CA)	8512210	●	●			
999	POWER SUPPLY CABLE	8417650	●	●			



800.900.9276 • Fax 800.559.1583 (*Customer Service, Service Advisors*)
20 Industrial Way, Rochester, NH 03867 • 603.335.6300 • Fax 603.335.3355
1869 Sismet Road, Mississauga, Ontario, Canada L4W 1W8 • 905.238.0100 • Fax 905.366.0130
www.Laars.com Litho in U.S.A. © Laars Heating Systems 0806 Document 1201