



Using "Genuine Laars" parts will ensure accurate replacement and warranty coverage. Installation and Operation Manuals for current products are available on-line at www.Laars.com

Our Commitment

We believe the availability of factory authorized replacement parts is an essential component of customer service. We strive to provide every opportunity for our customers to order and stock factory authorized replacement parts, including special incentive, pricing and freight programs. Contact your Laars representative or sales manager for more details.

Ordering

Laars sells parts only through its normal distribution channels. The most commonly used parts are listed in this parts guide, and can be ordered through Laars stocking representatives or wholesalers. Call the Service Department for assistance in identifying parts not listed. Have the model and serial number of the unit before calling to assure accurate parts identification. Rush Orders: We make every effort to ship rush orders the same day at our regular prices, but cannot guarantee same day shipment. Express freight charged by carriers is not refundable regardless of ship date; please indicate alternate shipping choice if order cannot ship the same day. Some parts are subject to price changes and limited availability. Laars representatives or wholesalers should call the factory for price and lead time for non-current sheet metal parts, parts listed as "limited to stock on hand" and parts not listed in this document.

Terms and Conditions

1. Standard terms will apply to all parts orders.
2. Special pricing is available for bulk quantity orders. Contact the Customer Service Department for pricing and specifics.
3. Expedite fee for non-stocked heat exchangers, 24 hour turnaround \$250.00 net.
4. Expedite fee for non-stocked sheet metal parts (7 working days) is \$250.00 per part.
5. Cancellation fee for custom product already in production: \$250
6. All parts are shipped FOB warehouse.
7. Any excise or sales tax will be charged to and paid by the buyer. Buyer is solely responsible for providing valid resale certificates.

Salable Returns / Unused Parts

Parts in new condition with all original packaging will be considered for return within one year of date of purchase from Laars, subject to a 25% restocking charge *and* recovery of other discounts or incentives earned at time of purchase. Invoice number and date of purchase must be furnished. Refunds will be made to the original purchaser only, and will be made at the sole discretion of Laars. Return of parts may affect eligibility for other programs. Contact your Laars representative for more information.

Parts Limited Warranty

Laars warrants all parts to be free from defects in materials and workmanship to the original retail purchaser for one year from date of retail purchase. Proof of purchase is required. This limited warranty applies only to parts purchased for use as an original equipment replacement part in Laars Heating Systems boilers and water heaters. At its option, Laars will repair or replace any part that fails under this limited warranty. Repair or replacement shall be the sole remedy, and Laars shall not be liable for any field labor, removal, transportation to/from the factory, reinstallation or any other such costs.

Return Under Warranty

Parts should be returned to the place of purchase for warranty evaluation. If the original place of purchase is not known, contact your Laars wholesaler, factory representative or Contract Service Center. Wholesalers, factory representatives and Contract Service Centers returning parts for warranty consideration must obtain a RMA (Return Merchandise Authorization) number from the Customer Service Department. Each part must be tagged with the original purchase date, model and serial number of the boiler it was installed on, and a description of the failure. Parts must be returned freight prepaid and clearly marked with the RMA number. The RMA expires if not returned within 60 days of issuance. Contact your Laars representative or the Customer Service Department for more information on obtaining warranty coverage on large, heavy or bulky items.

Laars Heating Systems maintains a policy of continuous quality improvement.

Laars Heating Systems Company reserves the right to change specifications, components, features, or to discontinue products without notice. While Laars will make every reasonable effort to provide advance notice of changes, supplier actions, changes in code requirements, and Laars' efforts to continuously upgrade products will sometimes require that changes be introduced with minimal or no advance notice.

Description	Model, Size	Part Number		
		JVH-50	JVH-75	JVH-100
1. Pilot Gas System				
Pilot Assembly (Nat.), Hot Surface		W2001800	W2001800	W2001800
Pilot Assembly (LP), Hot Surface		W2001900	W2001900	W2001900
2. Burner with Pilot Bracket		L0056500	L0056500	L0056500
3. Main Burner		L0052500	L0052500	L0052500
4. Main Gas Valves				
Valve, Hot Surface, (Nat.) SV9501H 3415		V2001800	V2001800	V2001800
Valve, Hot Surface, (LP) SV9501H 3423		V2002300	V2002300	V2002300
5. Gas Orifices				
(0-2000 FT.) Nat., Orifices		L0032200	L0032200	L0032200
(2001-5000 FT.) Nat., Orifices		L0050700	L0050700	L0050700
(5001-8000 FT.) Nat., Orifices		L0032600	L0032600	L0032600
(8001-10,000 FT.) Nat., Orifices		L0050300	L0050300	L0050300
(0-5000 FT.) LP, Orifices		L0032900	L0032900	L0032900
(5001-8000 FT.) LP, Orifices		L0032800	L0032800	L0032800
(8001-10,000 FT.) LP, Orifices		L0032700	L0032700	L0032700
6. Gas Manifold		L0052601	L0052602	L0052603
Electrical System				
7. Relay, DPNO		E0088400	E0088400	E0088400
8. Transformer 1 1/2 5/24V (50VA)		E2074400	E2074400	E2074400
9. Switch, Air Pressure (0-5000 FT.) Switch, Air Pressure (5001-10000 FT.)		E2074501	E2074501	E2074501
		E2074504	E2074504	E2074504
10. Blower/Motor, Induced Draft		A2000200	A2000200	A2000200
11. Switch, Roll-out Safety		E2103200	E2103200	E2103200
12. Switch, Limit		E0098700	E0098700	E0098700
14. Terminal Strip		E0098500	E0098500	E0098500
15. Fuse, 2 amp		E2043600	E2043600	E2043600
Water System				
16. Heat Exchanger		20404701	20404702	20404703
17. Gauge, Temperature/Pressure		A2000400	A2000400	A2000400
18. Gauge, Temperature		A2000600	A2000600	A2000600
19. Valve, Pressure Relief 30 PSI		A0069000	A0069000	A0069000
20. Well, Immersion		E2058300	E2058300	E2058300
21. Valve, Drain 1/2' NPT		P0066600	P0066600	P0066600
Jacket and Fire Box Components				
22. Base Weldment		20400701	20400702	20400703
23. Front Panel Weldment		20404201	20404202	20404203
24. Rear Panel		20403101	20403101	20403102
25. Left Side Panel		20403201	20403201	20403201
26. Right Side Panel		20403202	20403202	20403202
27. Top, Front Section		20404001	20404002	20404003
28. Top, Rear Section		20404101	20404102	20404103
29. Heat Shield, Rear Panel		20403401	20403401	20403402
30. Heat Shield, Front Panel		—	—	—
31. Left Support Rail		20404401	20404401	20404401
32. Right Support Rail		20404402	20404402	20404402
33. Flue Collector Weldment		20403901	20403902	20403903
34. Burner Tray Weldment		20403001	20403002	20403003
35. Control Box Weldment		20086800	20086800	20086800
36. Control Box Cover		20087100	20087100	20087100
37. Burner Cover - A - Sea Level		20403301	20403302	20403303
- B - High Altitude		20404101	20404101	20404101
38. Orifice Plate, Nat. (0-5000 FT.)		20404601	20404603	20404604
Orifice Plate, Nat. (5001-10,000 FT.)		20404602	20404603	20404604
Orifice Plate, LP (0-5000 FT.)		20404601	20404603	20404604
Orifice Plate, LP (5001-10,000 FT.)		20404613	20404602	20404611
39. Tile Cover		10469501	10469502	10469503
40. Heat Exchanger Baffle		10485301	10485302	10485303
41. Front Refractory		T2007701	T2007702	T2007703
42. Rear Refractory		T2007801	T2007802	T2007803
43. Securement Cable		F2007001	F2007002	F2007003
44. Flue Outlet Weldment (0-5000 FT.)		20400400	20400400	20400400
Flue Outlet Weldment (5001-10,000 FT.)		D2004201	D2004201	D2004201

Description	Model, Size	Part Number		
		JVH-125	JVH-160	JVH-225
1. Pilot Gas System				
Pilot Assembly (Nat.), Hot Surface		W2001800	W2001800	W2001800
Pilot Assembly (LP), Hot Surface		W2001900	W2001900	W2001900
2. Burner with Pilot Bracket		L0056500	L0056500	L0056500
3. Main Burner		L0052500	L0052500	L0052500
4. Main Gas Valves				
Valve, Hot Surface, (Nat.) SV9501H315		V2001800	V2001800	
Valve, Hot Surface, (Nat.) SV9601H4601		—	—	V2001900
Valve, Hot Surface, (LP) SV9501H3423		V2002300	V2002300	V2002300
5. Gas Orifices				
(0-2000 FT.) Nat., Orifices		L0032200	L0050700	L0050700
(2001-5000 FT.) Nat., Orifices		L0050700	L0032600	L0032600
(5001-8000 FT.) Nat., Orifices		L0032600	L0050300	L0050300
(8001-10,000 FT.) Nat., Orifices		L0050300	L0050300	L0050300
(0-5000 FT.) LP, Orifices		L0032900	L0032900	L0032900
(5001-8000 FT.) LP, Orifices		L0032800	L0032800	L0032800
(8001-10,000 FT.) LP, Orifices		L0032700	L0032800	L0032800
6. Gas Manifold		L0052604	L0052605	L0052605
Electrical System				
7. Relay, DPNO		E0088400	E0088400	E0088400
8. Transformer I5/24V(50VA)		E2074400	E2074400	E2074400
9. Switch, Air Pressure (0-5000 FT.)		E2074502	E2074502	E2074503
Switch, Air Pressure (5001-10000 FT.)		E2074505	E2074505	E2074506
10. Blower/Motor, Induced Draft		A2000200	A2000200	A2000200
11. Switch, Roll-out Safety		E2103200	E2103200	E2103200
12. Switch, Limit		E0098700	E0098700	E0098700
14. Terminal Strip		E0098500	E0098500	E0098500
15. Fuse, 2 amp		E2043600	E2043600	E2043600
Water System				
16. Heat Exchanger		20404704	20404705	20404706
17. Gauge, Temperature/Pressure		A2000400	A2000400	A2000400
18. Gauge, Temperature		A2000600	A2000600	A2000600
19. Valve, Pressure Relief 30 PSI		A0069000	A0069000	A0069000
20. Well, Immersion		E2058300	E2058300	E2058300
21. Valve, Drain 1/2" NPT		P0066600	P0066600	P0066600
Jacket and Fire Box Components				
22. Base Weldment		20400704	20400705	20400706
23. Front Panel Weldment		20404204	20404205	20404206
24. Rear Panel		20403102	20403103	20403104
25. Left Side Panel		20403201	20403201	20403201
26. Right Side Panel		20403202	20403202	20403202
27. Top, Front Section		20404004	20404005	20404006
28. Top, Rear Section		20404104	20404105	20404106
29. Heat Shield, Rear Panel		20403402	20403403	20403404
30. Heat Shield, Front Panel		20406601	20406602	20406603
31. Left Support Rail		20404401	20404401	20404401
32. Right Support Rail		20404402	20404402	20404402
33. Flue Collector Weldment		20403904	20403905	20403906
34. Burner Tray Weldment		20403004	20403005	20403006
35. Control Box Weldment		20087200	20087200	20087200
36. Control Box Cover		20087100	20087100	20087100
37. Burner Cover		20403304	20403305	20403306
38. Orifice Plate, Nat. (0-5000 FT.)		20404605	20404607	20404609
Orifice Plate, Nat. (5001-10,000 FT.)		20404605	20404606	20404608
Orifice Plate, LP (0-5000 FT.)		20404606	20404608	20404610
Orifice Plate, LP (5001-10,000 FT.)		20404604	20404606	20404612
39. Tile Cover		10469504	10469505	10469506
40. Heat Exchanger Baffle		10485307	10485305	10485306
41. Front Refractory		T2007704	T2007705	T2007706
42. Rear Refractory		T2007804	T2007805	T2007806
43. Securement Cable		F2007004	F2007005	F2007006
44. Flue Outlet Weldment (0-5000 FT.)		20400400	20400400	20400400
Flue Outlet (5001-10,000 FT.)		D2004201	D2004201	D2004201

Mini-Therm JVI

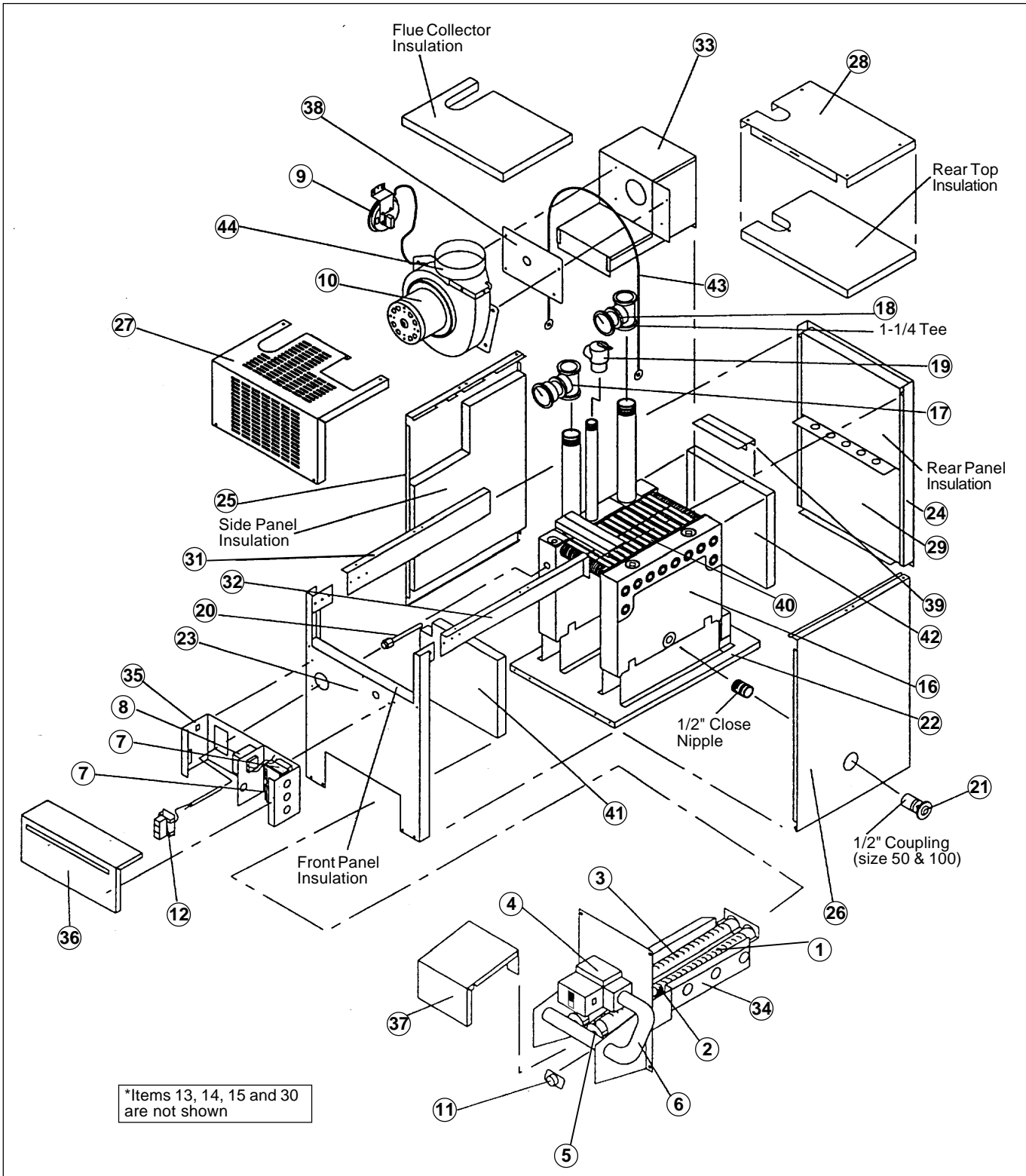


Figure 14. Parts Identification.

Laars Heating Systems Company reserves the right to change specifications, components, features, or to discontinue products without notice.