

Liberty Pumps®

ProVore®

PRG-Series

Residential Grinder Pump

1 hp

2" Discharge

*Designed for residential
sewage applications*

*Higher flow rates allow use
with 2" discharge lines*

*Operates on standard 115
or 230 volt 20 amp circuits*

Features:

- Heavy cast iron construction
- 115V or 230V single phase
- Patented V-Slice® cutter technology
- Shreds difficult solids such as feminine products, rags, towels and wipes that can jam a solids-handling style pump
- Hardened stainless steel cutter and plate
- Oil-filled, thermally protected motor
- PRG-Series residential grinders can be used as a replacement pump in 2" discharge systems using LE40 and LE50-series solids-handling pumps.*

**PRG-Series flow rates do not exactly match LE-series flow rates. Consult factory with actual application and head specification prior to replacing LE40 and LE50-series pumps.*

*Vertical Float
Model PRG101AV*



US Patent
7,159,806 & Patent
Pending



Models:

- PRG101M 115V, 12a, Manual
PRG101A 115V, 12a, Automatic, wide-angle
PRG101AV 115V, 12a, Automatic, vertical float
PRG102M 230V, 6a, Manual
PRG102A 230V, 6a, Automatic, wide-angle



innovate. evolve.

PRG-Series

1 hp Residential Grinder Pump

Impeller
Cast Iron, Class 25

Paint
Powder Coat

Max Liquid Temp.
60°C / 140° F

Motor
CSCR style, Class B windings.
Oil-filled, thermally protected

Power Cord Type
SJTW, quick disconnect design 10' standard length. (25' Optional)

Motor Housing
Cast Iron, Class 30

Volute
Cast Iron, Class 30

Shaft
303 Series Stainless Steel

Hardware
Stainless Steel

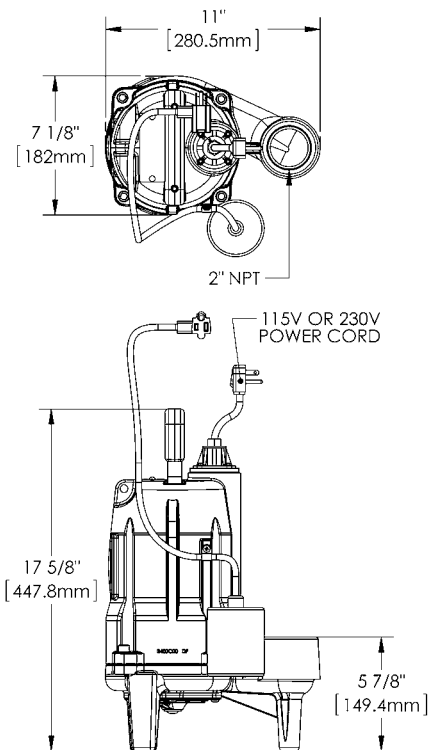
Mechanical Shaft Seal
Unitized Silicon Carbide

Bearings
Upper and lower, ball bearings

Cutter and Cutter Plate
V-Slice® design. 440 Stainless Steel hardened to Rockwell 57c

Switch (automatic models)
Mechanical wide angle float or pre-mounted heavy duty vertical switch (AV model) with series (piggyback) plug

DIMENSIONAL DATA



MODELS	HP	VOLTS	PHASE	H _z	AMPS	CORD LENGTH	DISCHARGE	AUTOMATIC	WEIGHT LBS.
PRG101A	1	115	1	60	12	10'	2"	Wide-Angle	58
PRG101AV	1	115	1	60	12	10'	2"	Vertical Float	58
PRG101M	1	115	1	60	12	10'	2"	No	57
PRG102A	1	230	1	60	6	10'	2"	Wide-Angle	58
PRG102M	1	230	1	60	6	10'	2"	No	57

For optional 25' power cords, add a "-2" suffix to model number. Example: PRG101A-2

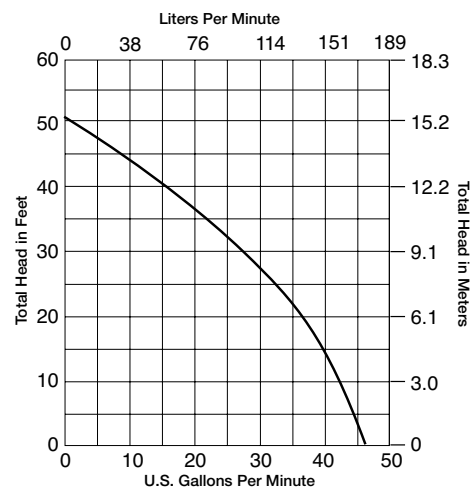
Maximum Fluid Temperature: 140° F (60° C)



V-Slice® Cutter Technology

Shreds difficult solids—such as feminine products, wipes, rags and other debris.
Patent #7,159,806

PERFORMANCE CURVE 60 Hz., 3400 RPM



Specifications subject to change without notice.

Liberty Pumps • 7000 Apple Tree Avenue • Bergen, New York 14416 • Phone 800-543-2550 Fax (585) 494-1839

www.libertypumps.com

Copyright © Liberty Pumps, Inc. 2015
All rights reserved. LLIT6710-R10/15