

2013 MASTER PARTS LIST



Effective: 2013-May-01 to 2014-Apr-30

Table of Contents

Parts Breakout

1.0	Trinity Lx150-800	1
	▪ Residential Lx150-400	
	▪ Commercial Lx500-800	
2.0	Matrix M100(V)	9
3.0	Trinity T150-200	10
4.0	Trinity Tft60-399	11
5.0	Trinity Ti100-200	14
6.0	Trinity Ts80	15
7.0	Trinity Tx51-151	17

Parts List

8.0	Table 1-1	20
-----	-----------------	----

For a list of parts that corresponds to the item numbers in the bubbles and/or boxes, refer to Table 1-1. Note that some item numbers may appear more than once in the parts list depending on which model number is being referenced.

Contact NY Thermal Inc. directly when ordering replacement parts at the following numbers: Toll Free 1-800-688-2575 or Local 1-506-657-6000.

Residential Models

Figure 1-1 Lx150-200 Cabinet
Cabinet, Vent and Air-Intake Parts

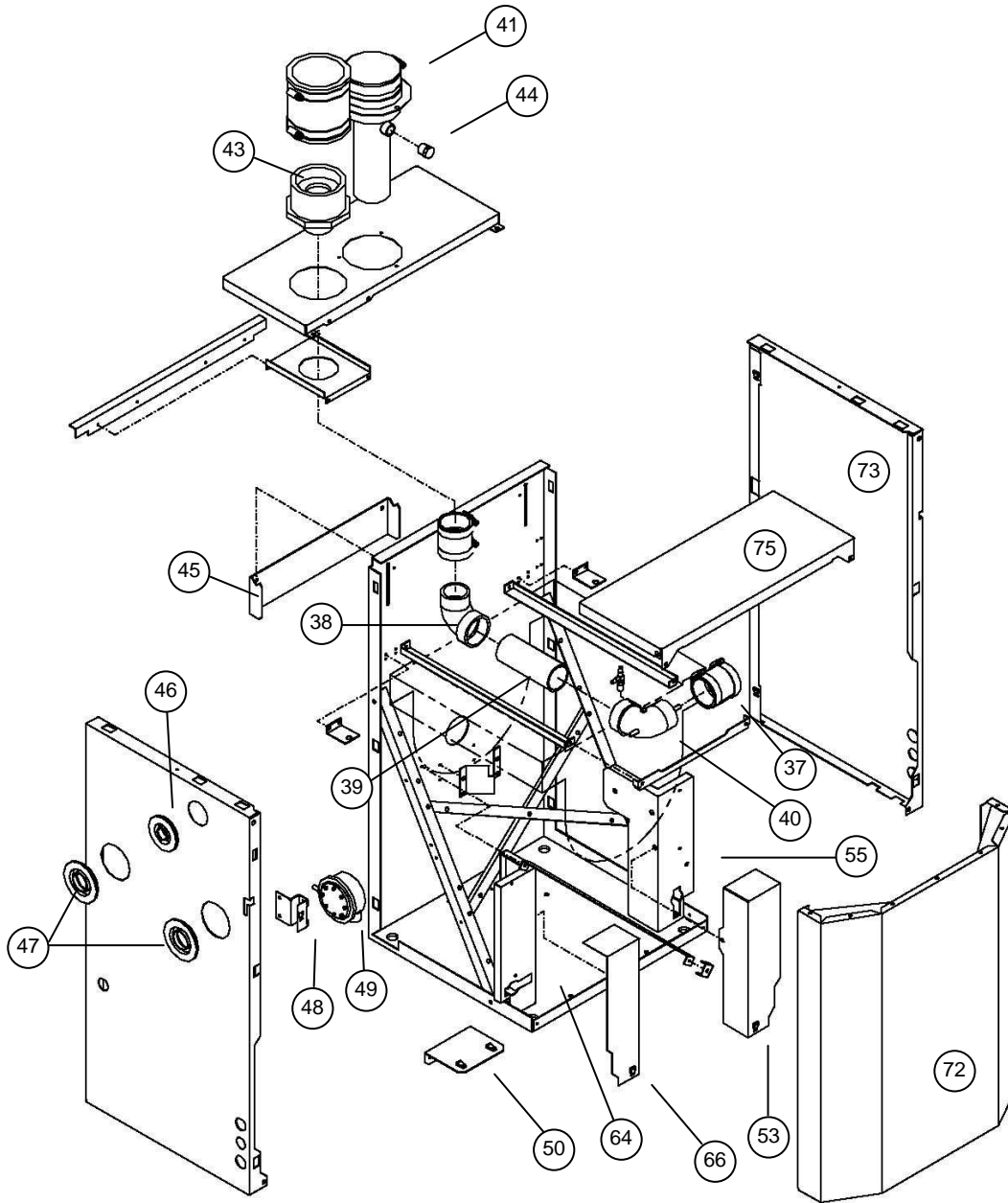


Figure 1-2 Lx150-200 Heat Engine

Heat Exchanger, Gas Valve, Blower and Burner Assembly

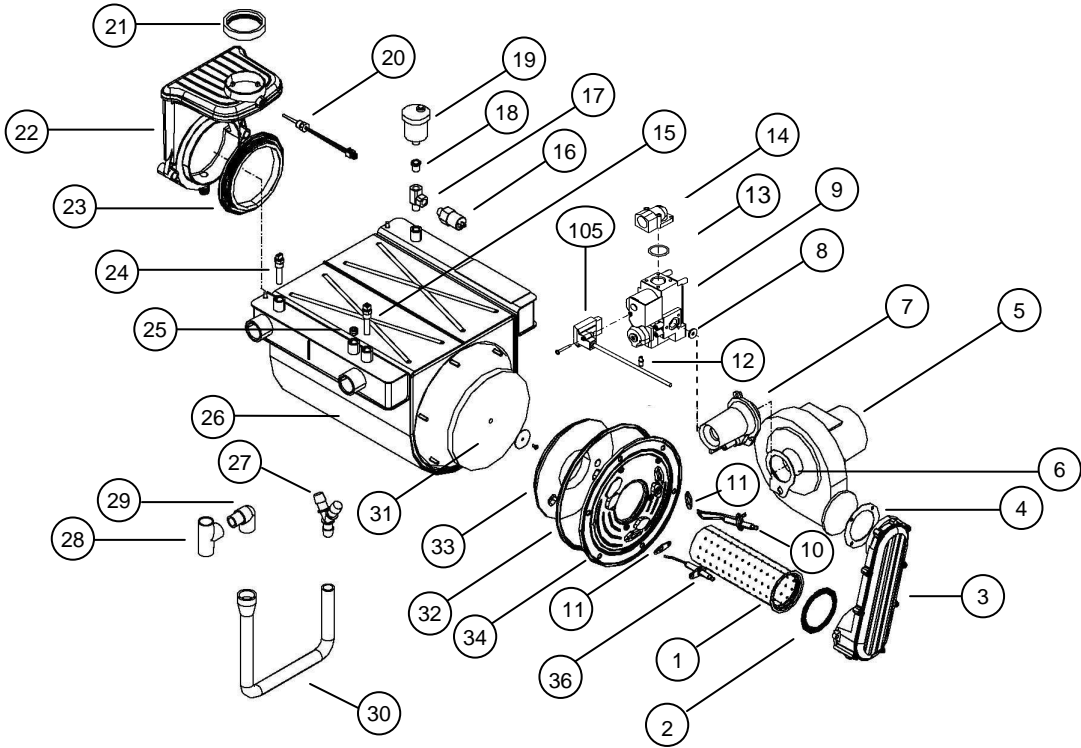


Figure 1-3 Lx150-400 Controls (Common)

Electrical Housing, Controller, and Display Module

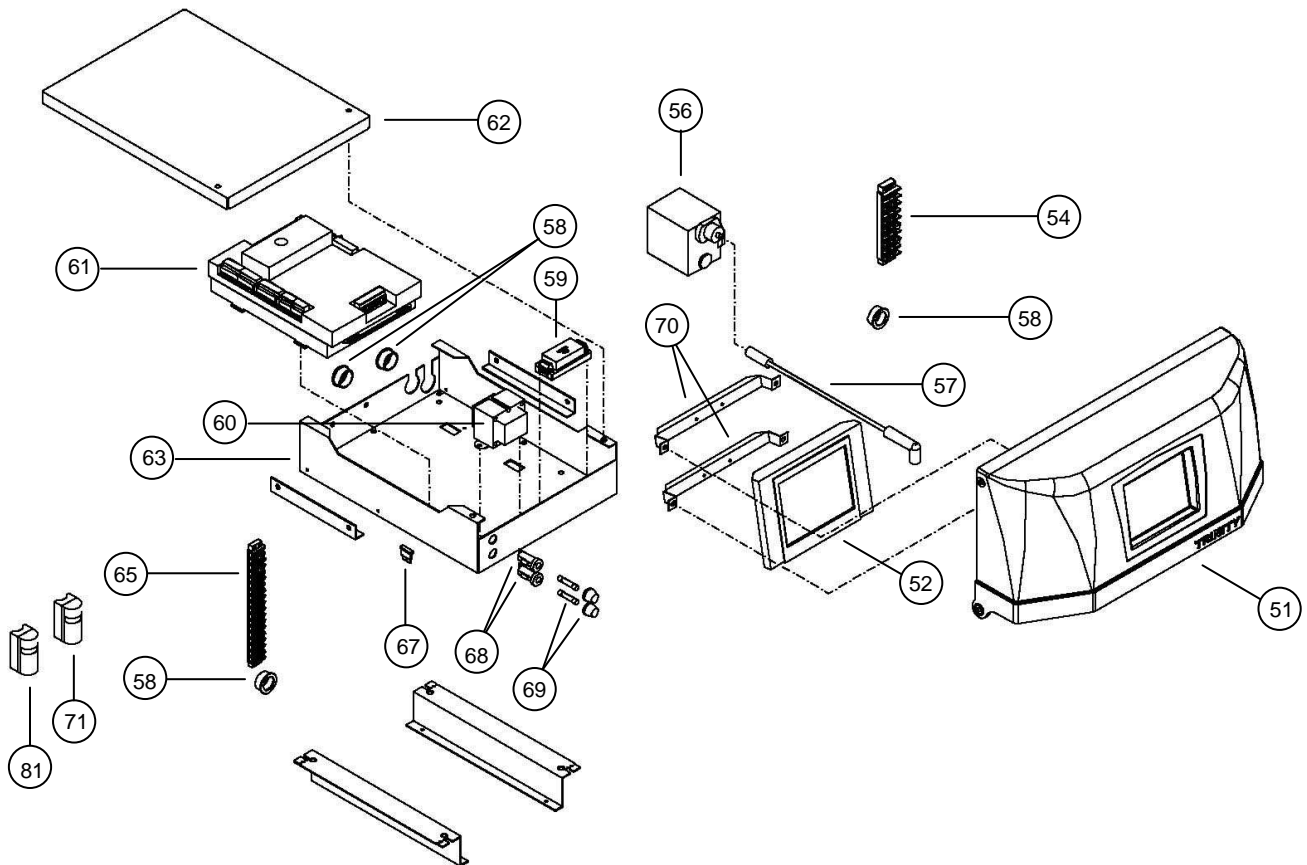


Figure 1-4 Lx300-400 Cabinet
Cabinet, Vent and Air-Intake Parts

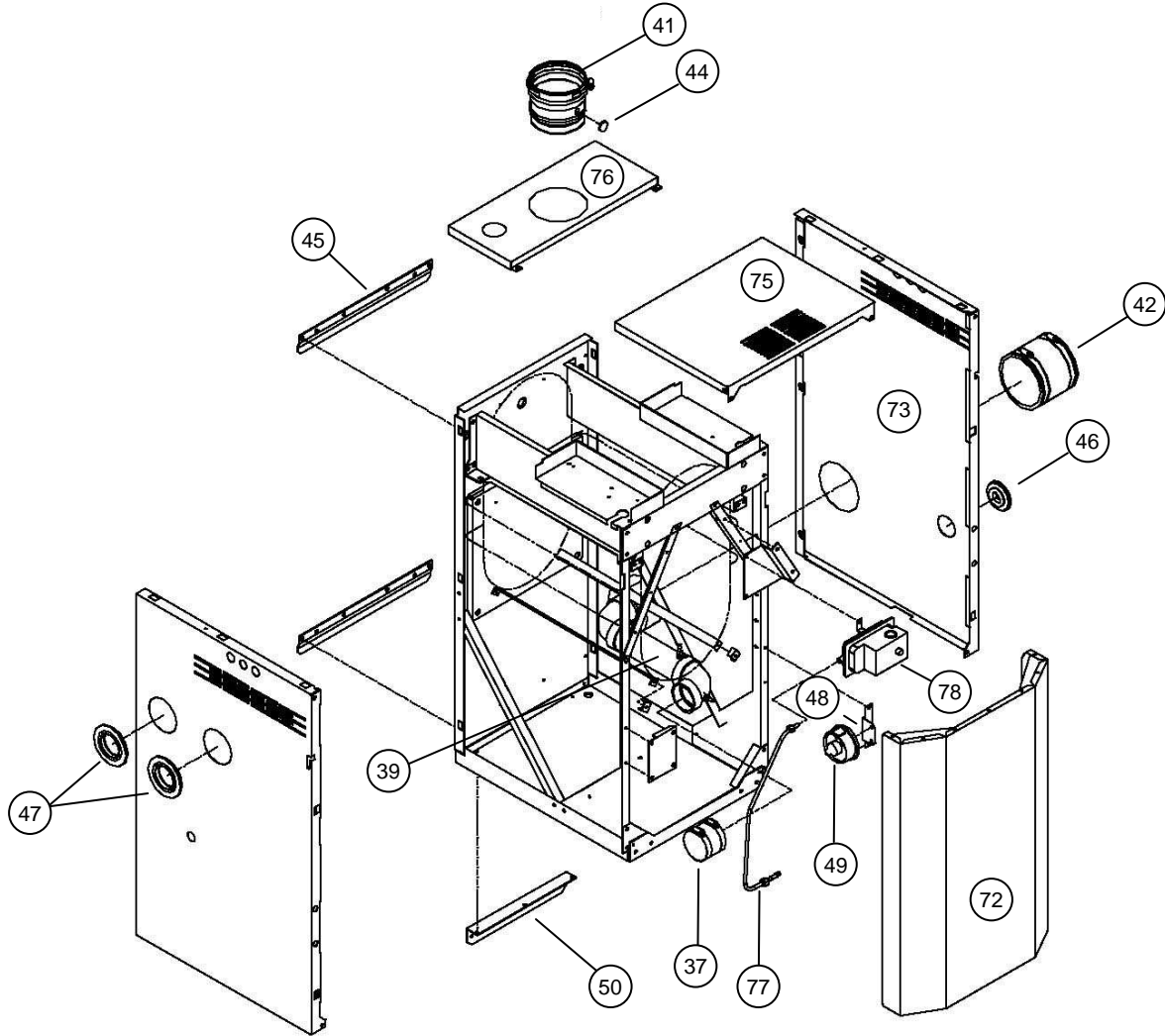
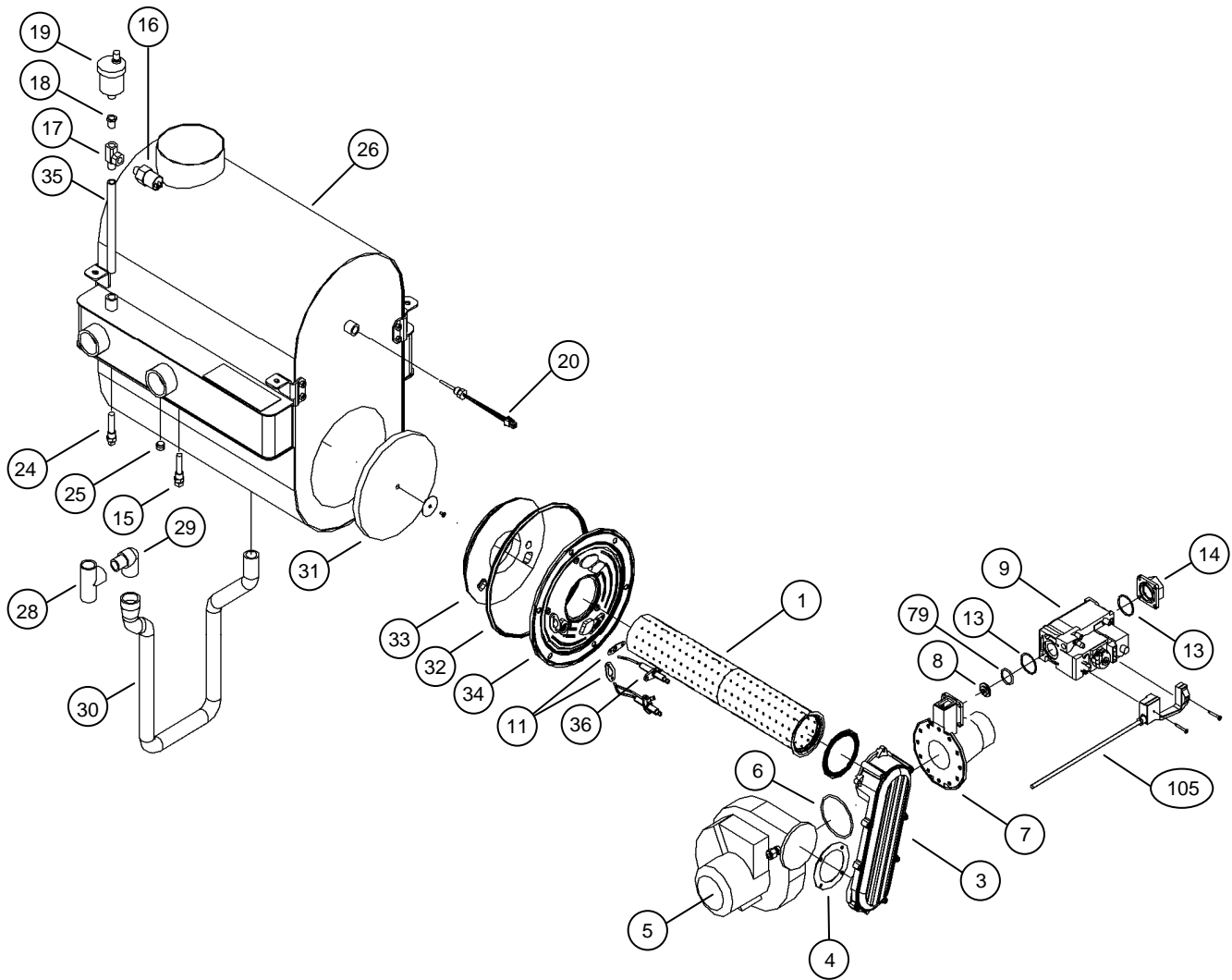


Figure 1-5 Lx300-400 Heat Engine

Heat Exchanger, Gas Valve, Blower and Burner Assembly



Commercial Models

Figure 1-6 Lx500-800 Cabinet
Cabinet, Vent and Air-Intake Parts

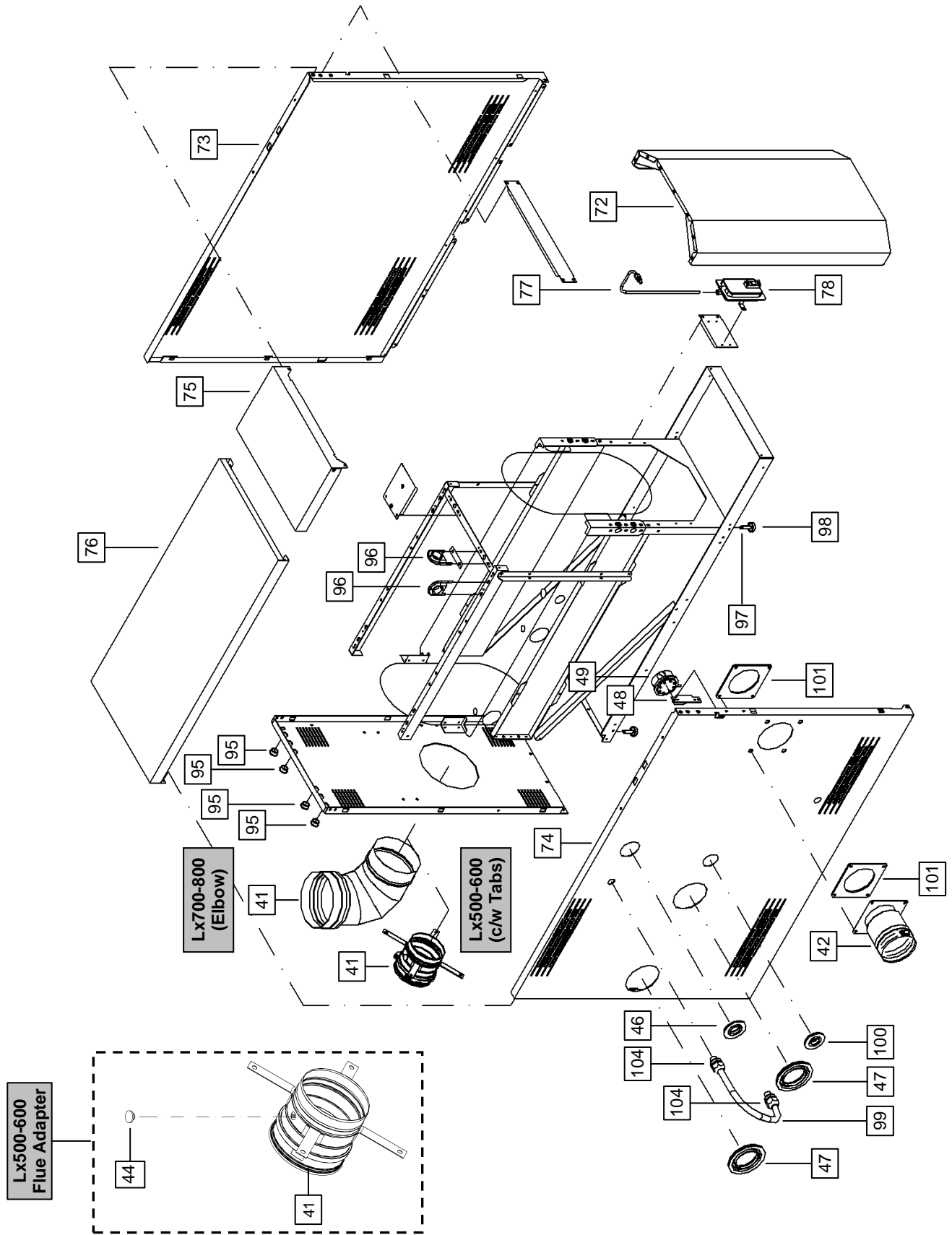


Figure 1-7 Lx500 Heat Engine
Heat Exchanger, Gas Valve, Blower and Burner Assembly

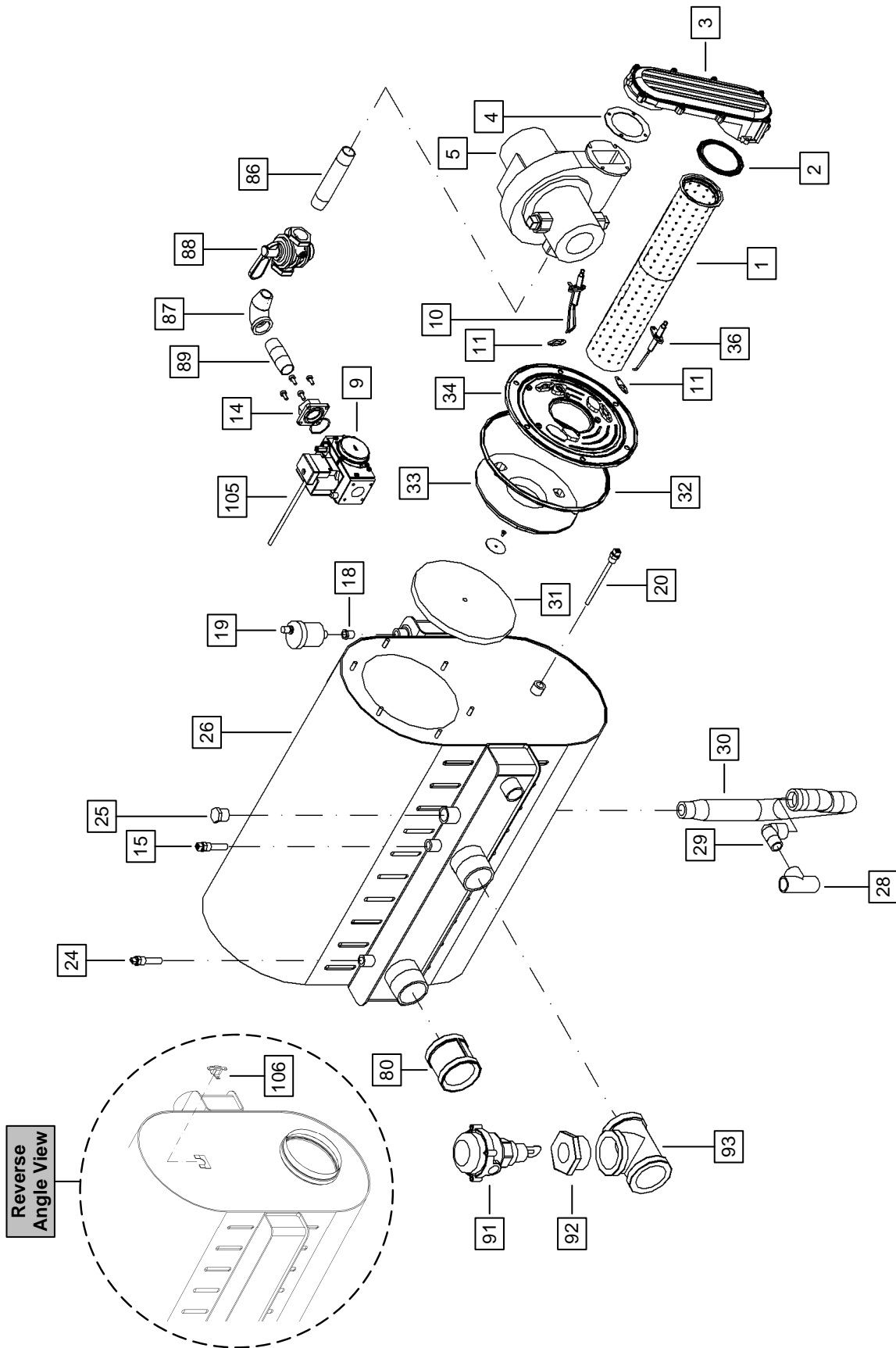


Figure 1-8 Lx600-800 Heat Engine

Heat Exchanger, Gas Valve, Blower and Burner Assembly

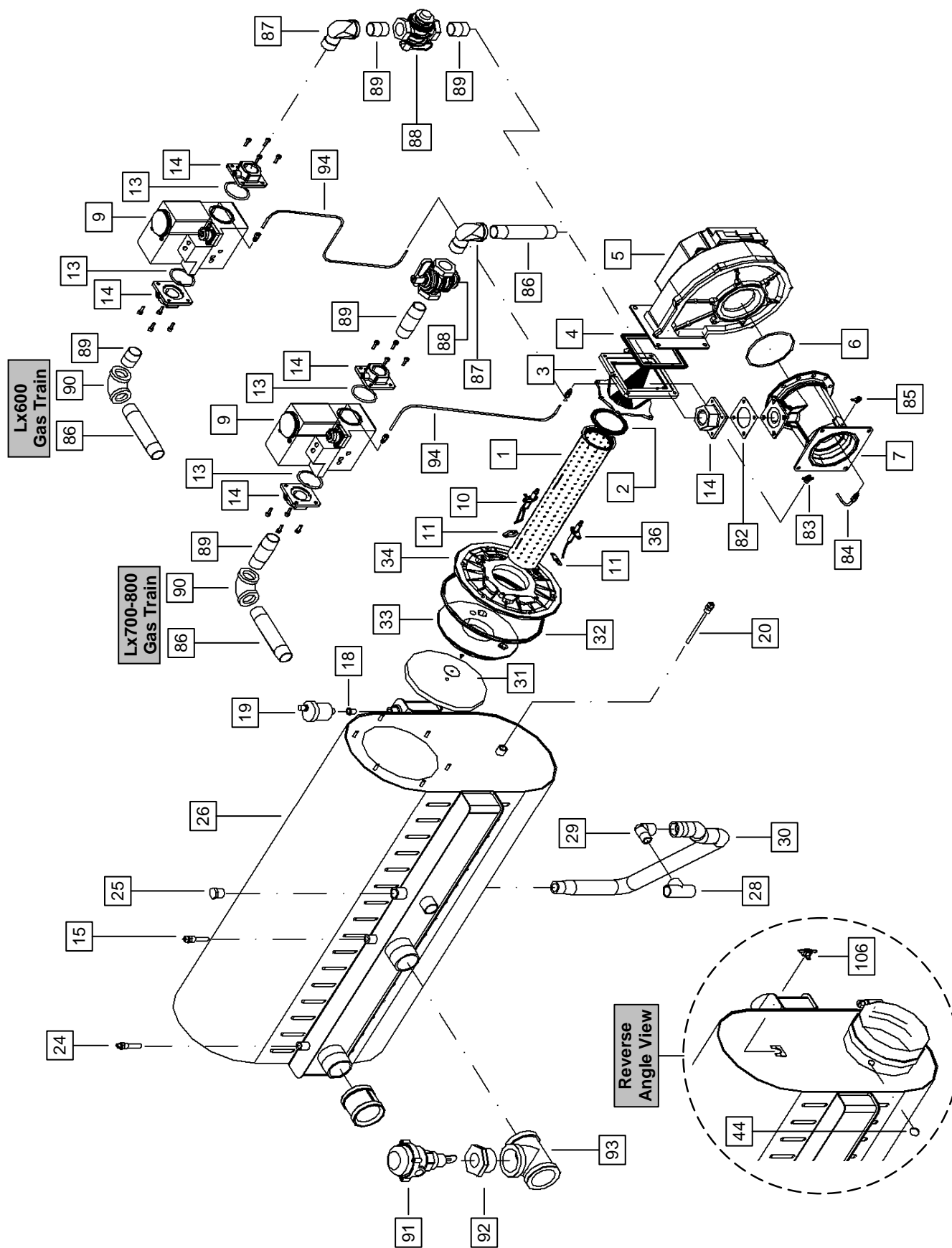


Figure 1-9 Lx500-800 Controls
Electrical Housing, Controller, and Display Module

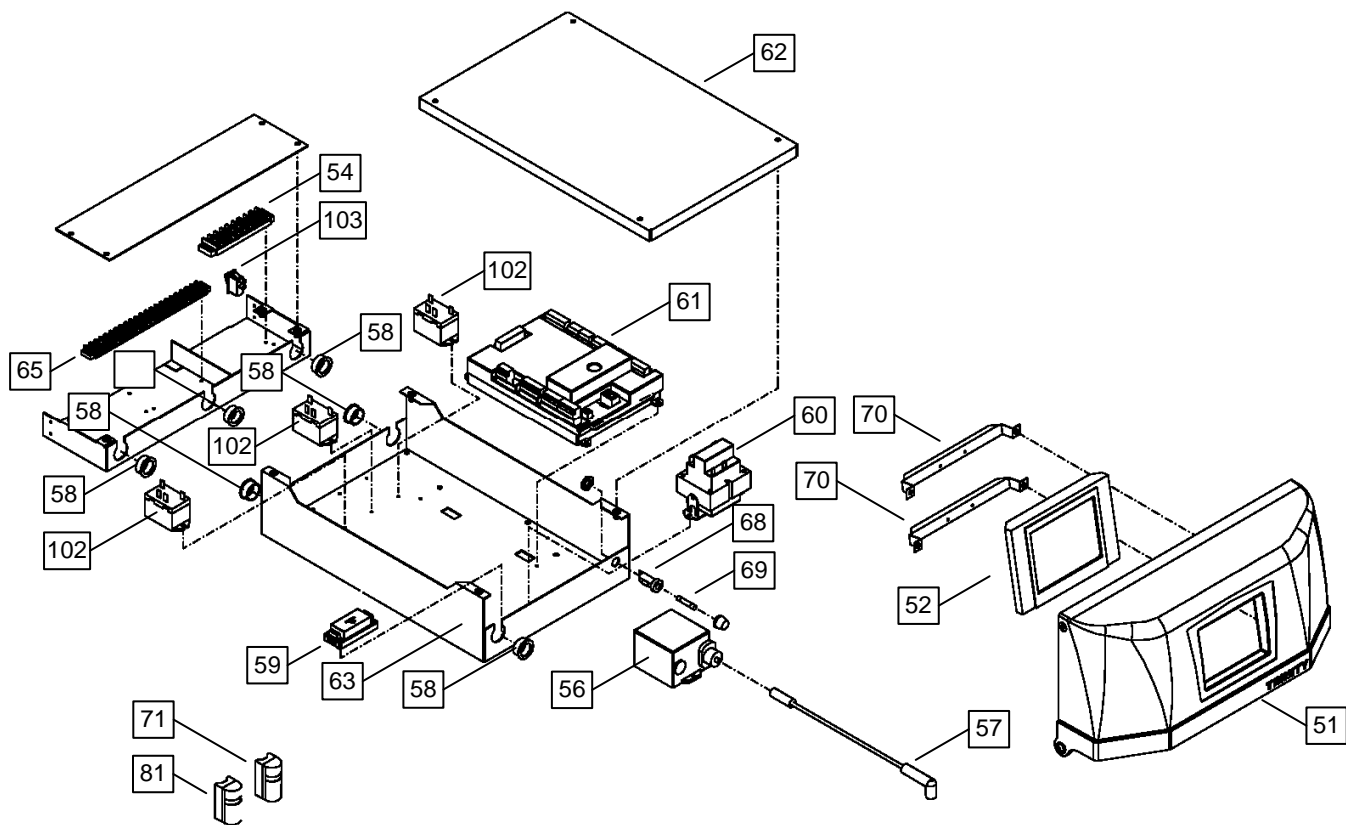


Figure 2-1 M100(V) Models
Heat Engine, Cabinet, Controls, DHW, and HRV

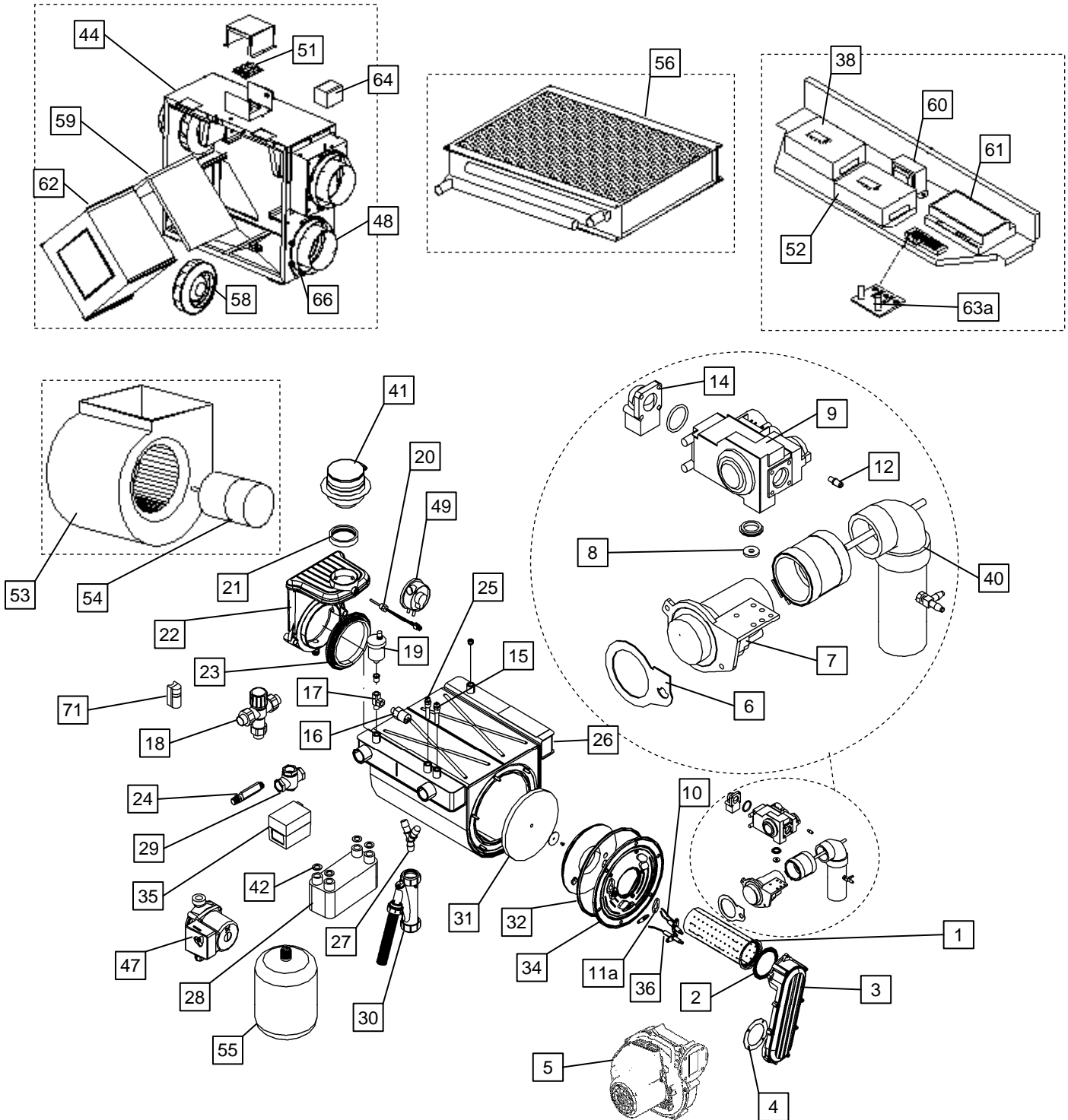


Figure 3-1 T150-200 Models
Heat Engine, Cabinet, and Controls

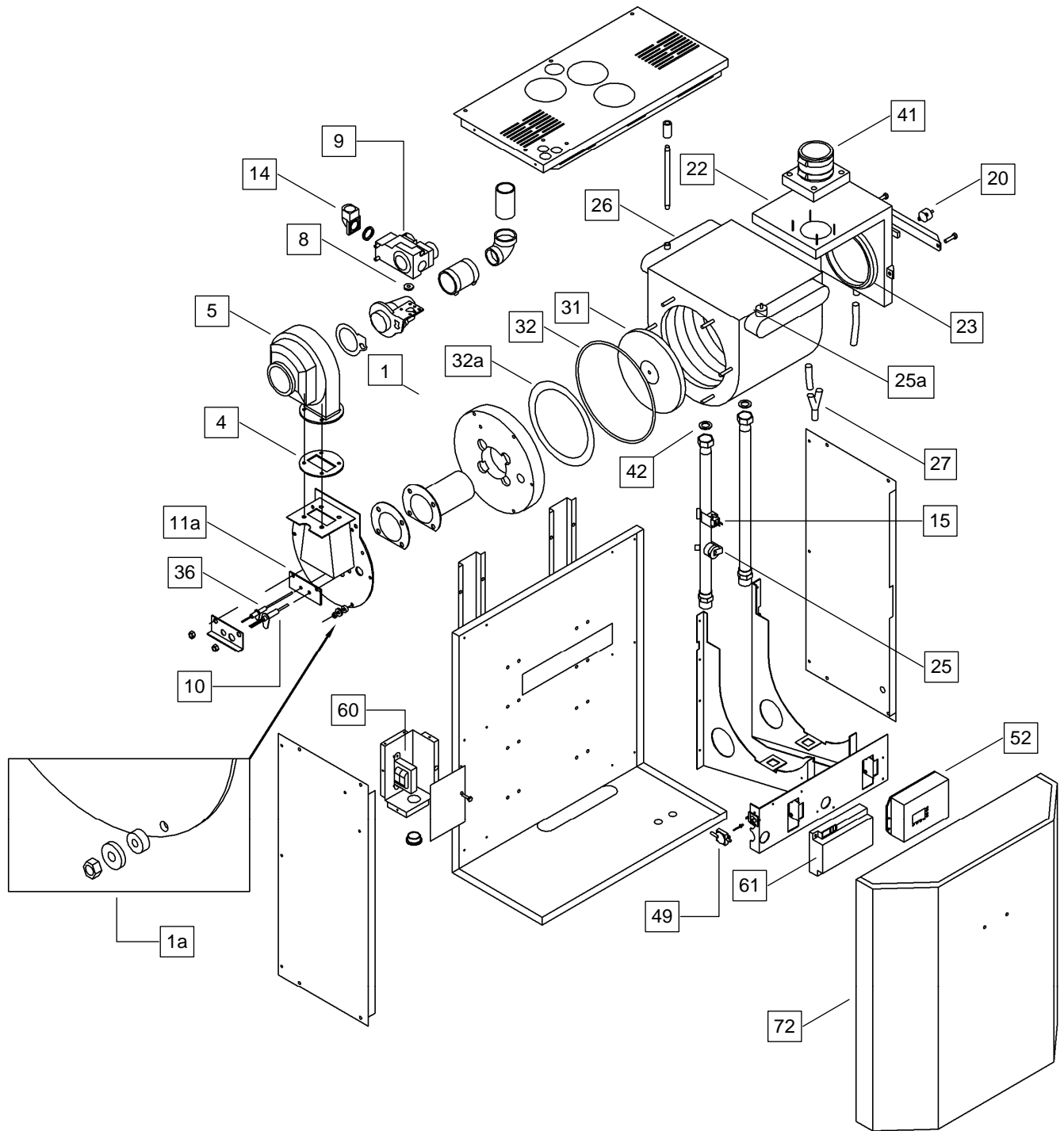


Figure 4-1 Tft60-399 Heat Engine
Heat Exchanger, Gas Valve, Blower and Burner Assembly

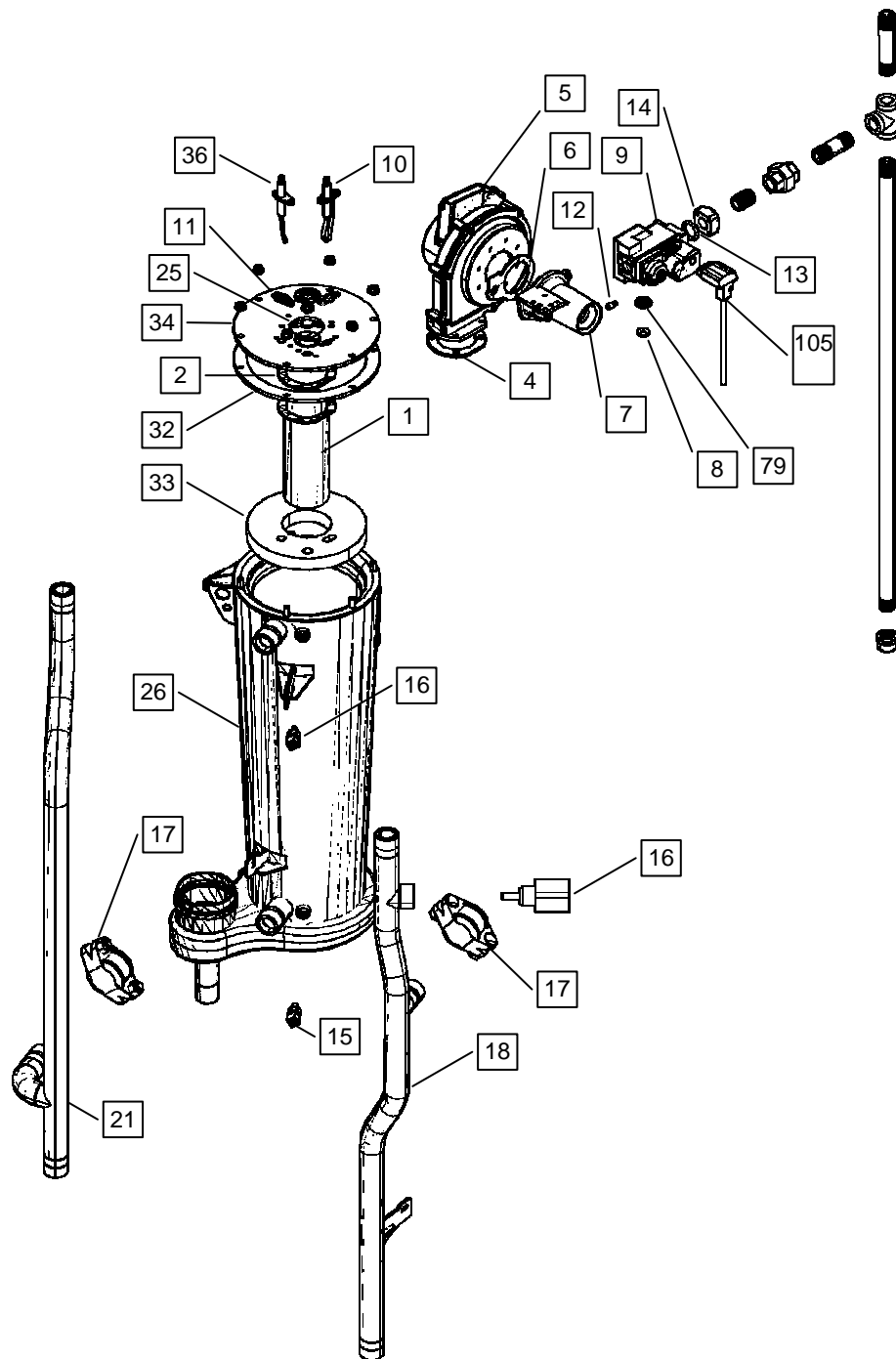


Figure 4-2 Tft60-399 Cabinet
Cabinet, Vent and Air-Inlet Parts

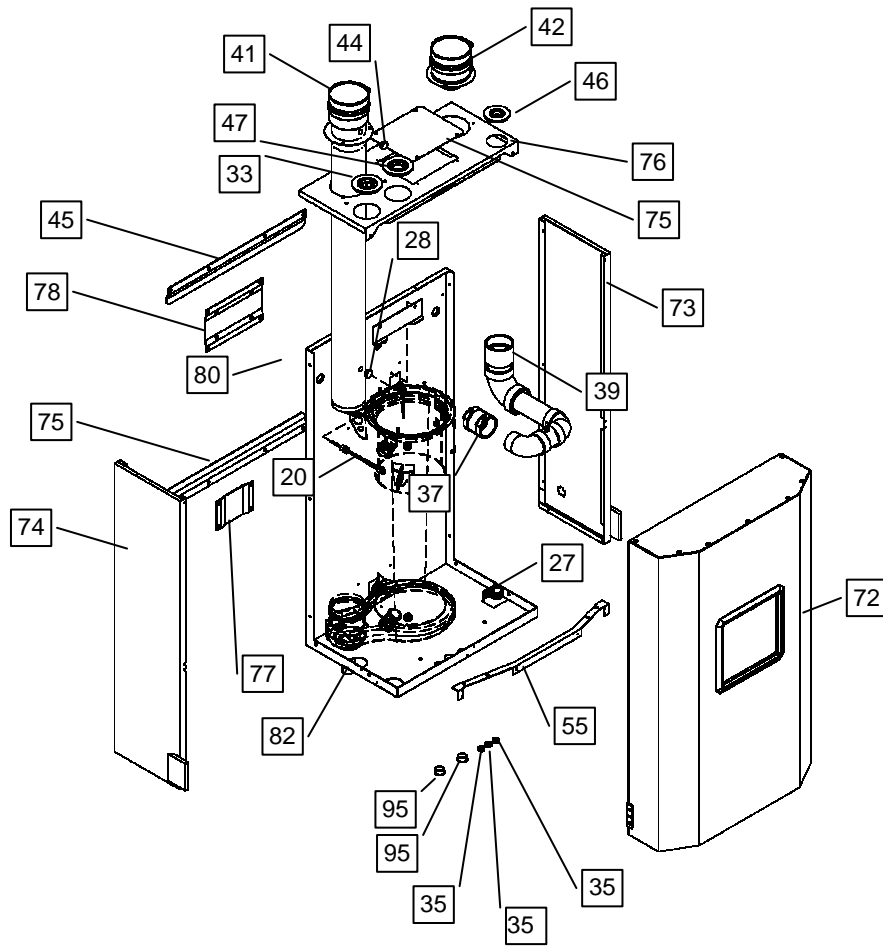


Figure 4-3 Tft60-399 Controls
Electrical Housing, Controller, and Display Module

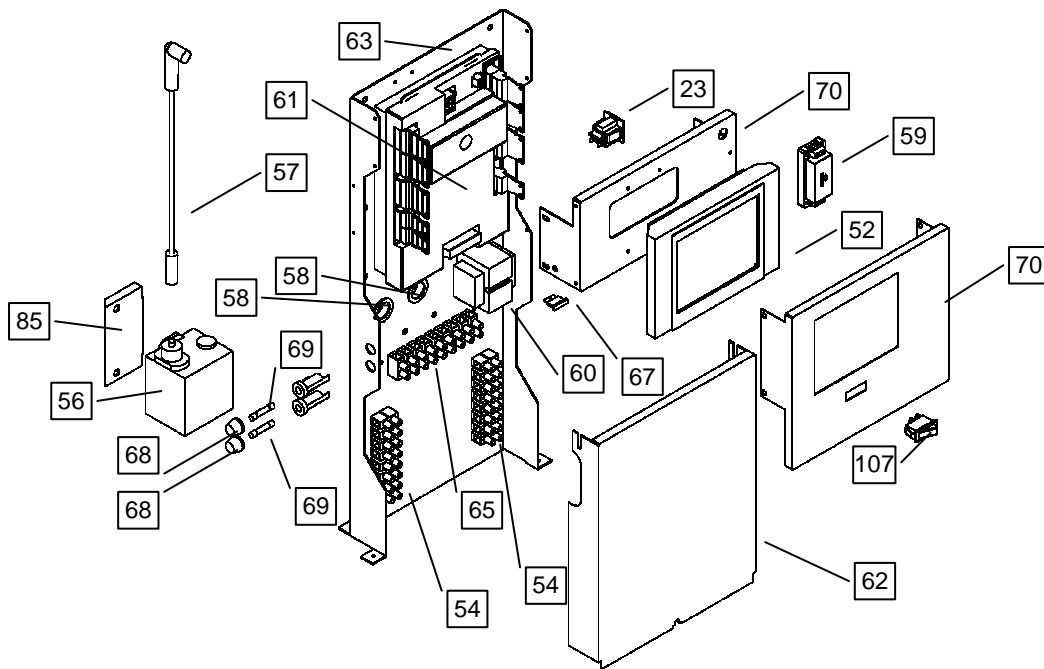


Figure 4-4 Tft Installation Kit

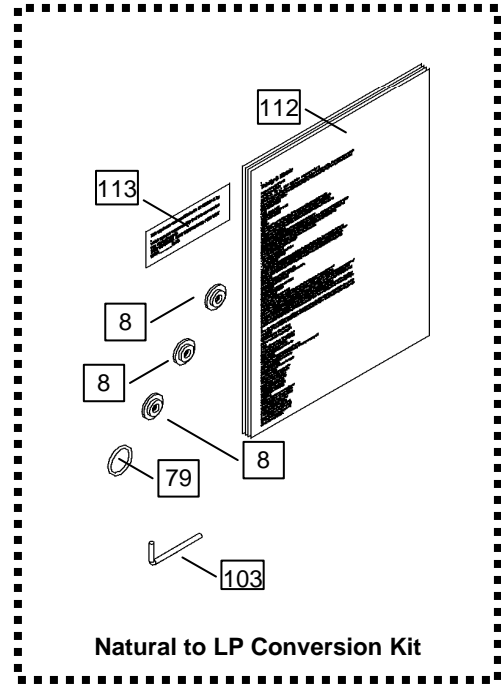
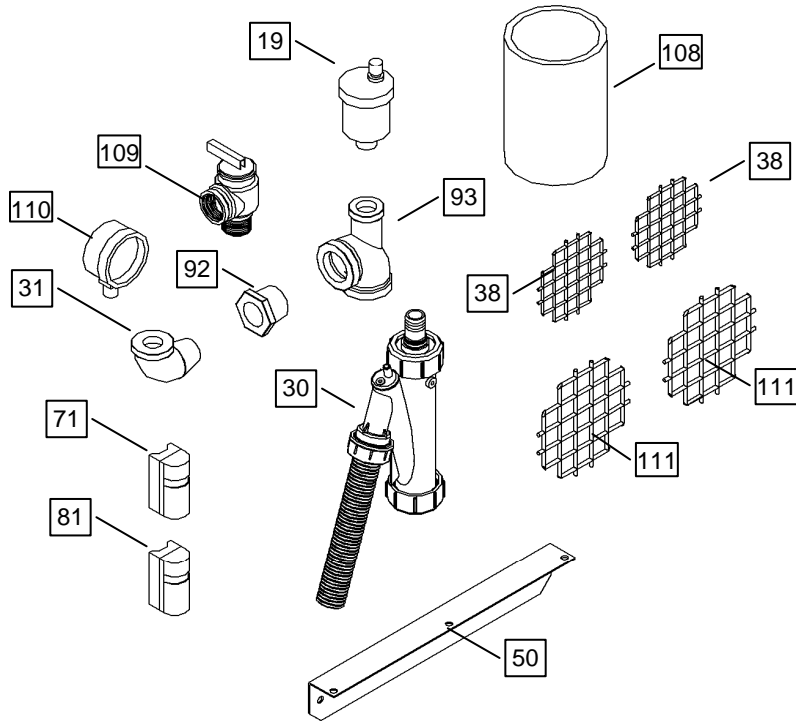


Figure 5-1 Ti100-200 Models
Heat Engine, Cabinet, and Controls

Notes: * Used for Combi version only.

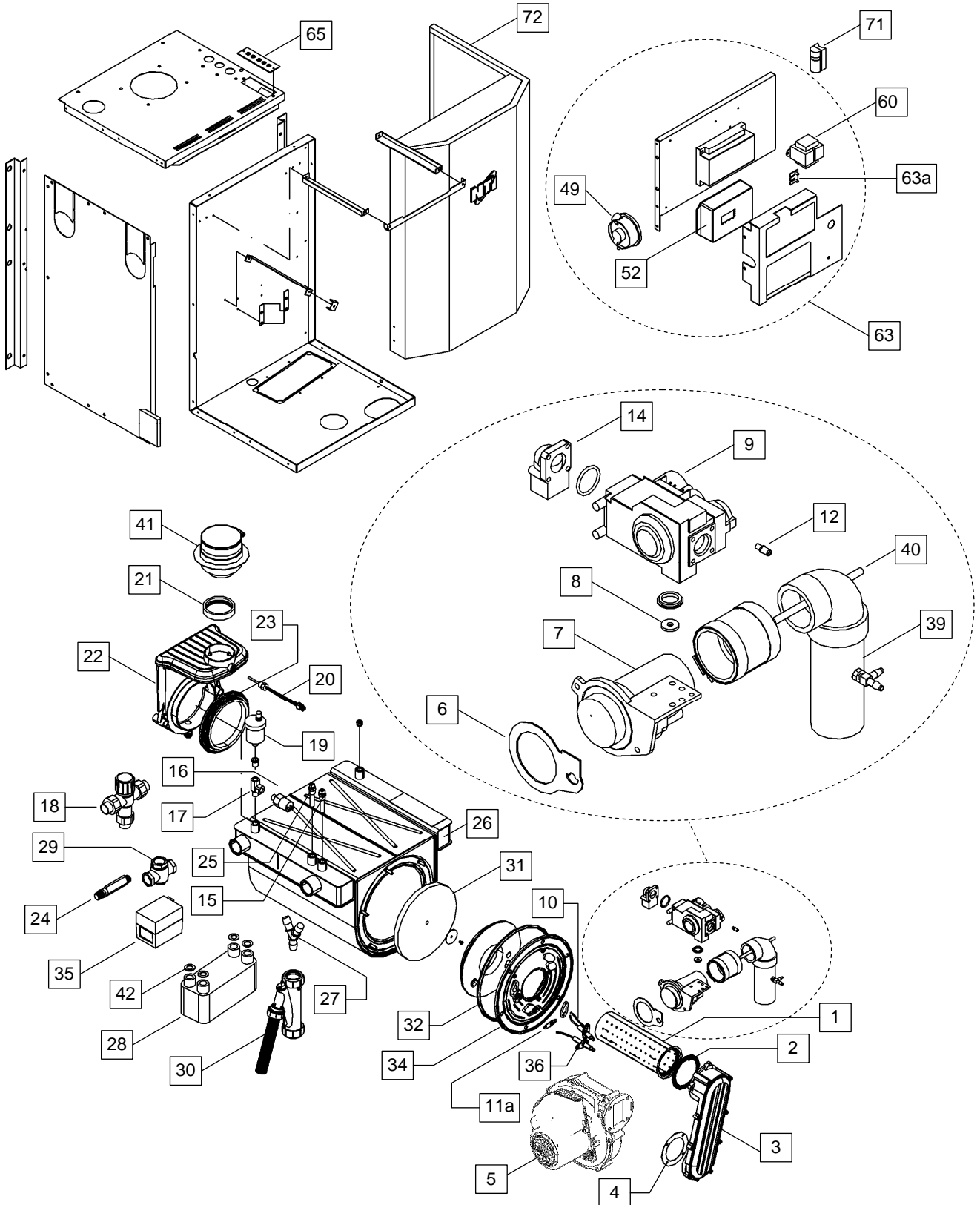


Figure 6-1 Ts80 Heat Engine
Heat Exchanger, Gas Valve, Blower and Burner Assembly

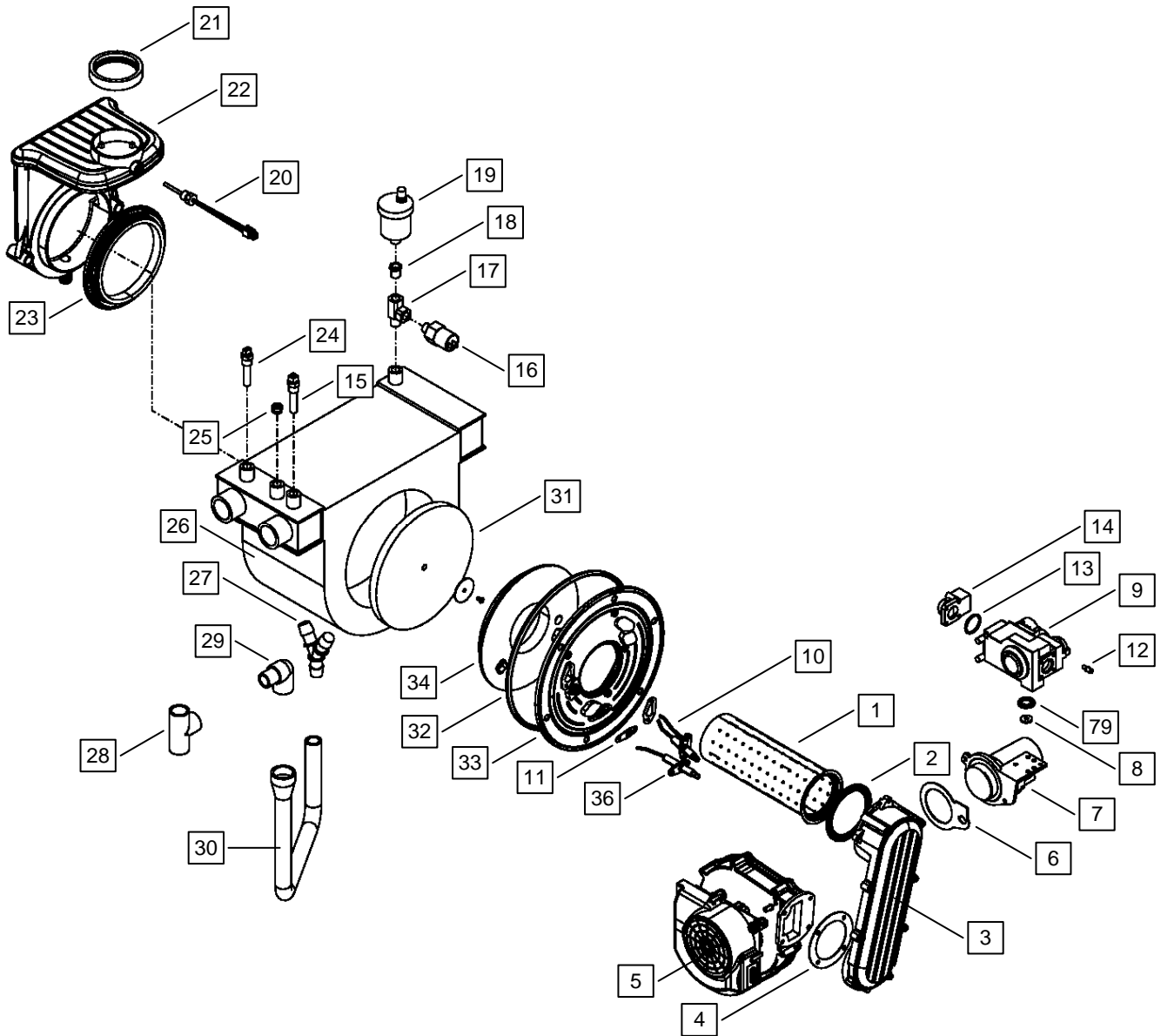


Figure 6-2 Ts80 Cabinet
Cabinet, Vent and Air-Intake Parts

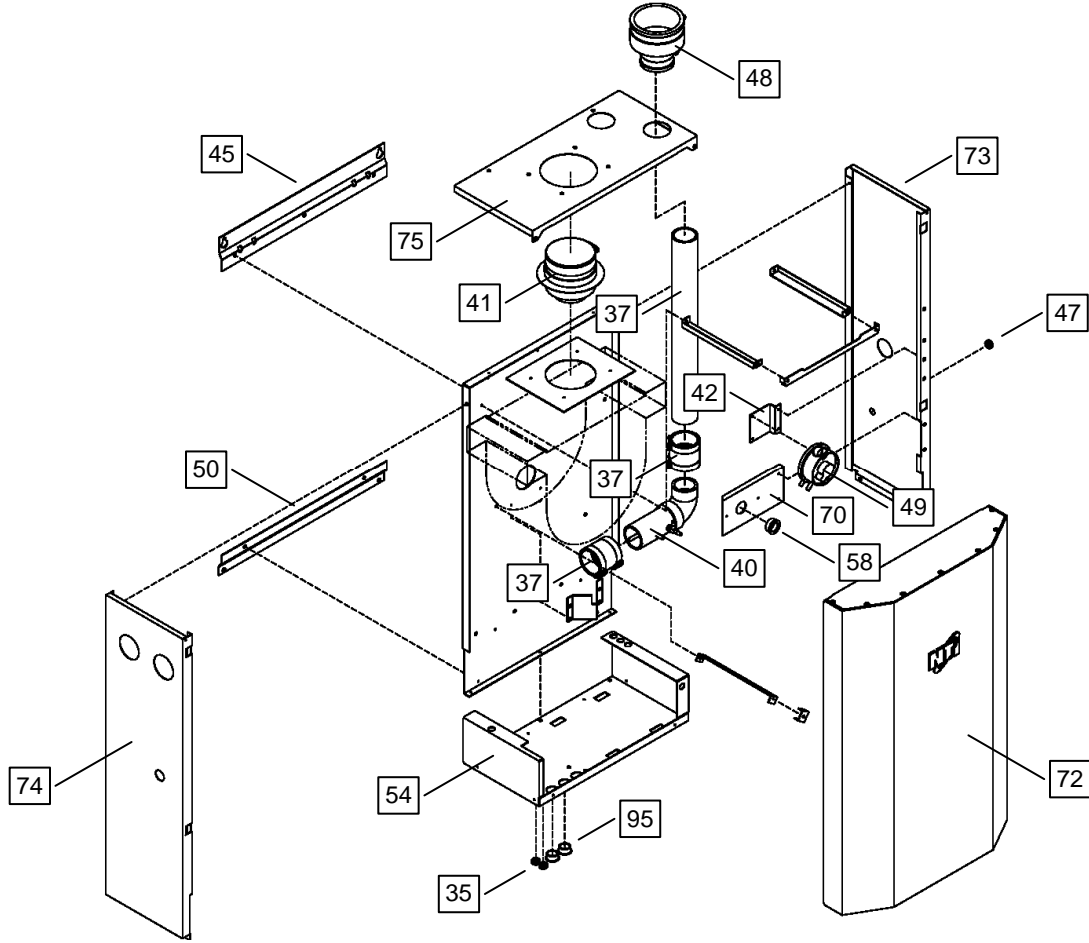


Figure 6-3 Ts80 Controls
Electrical Housing, Controller, and Display Module

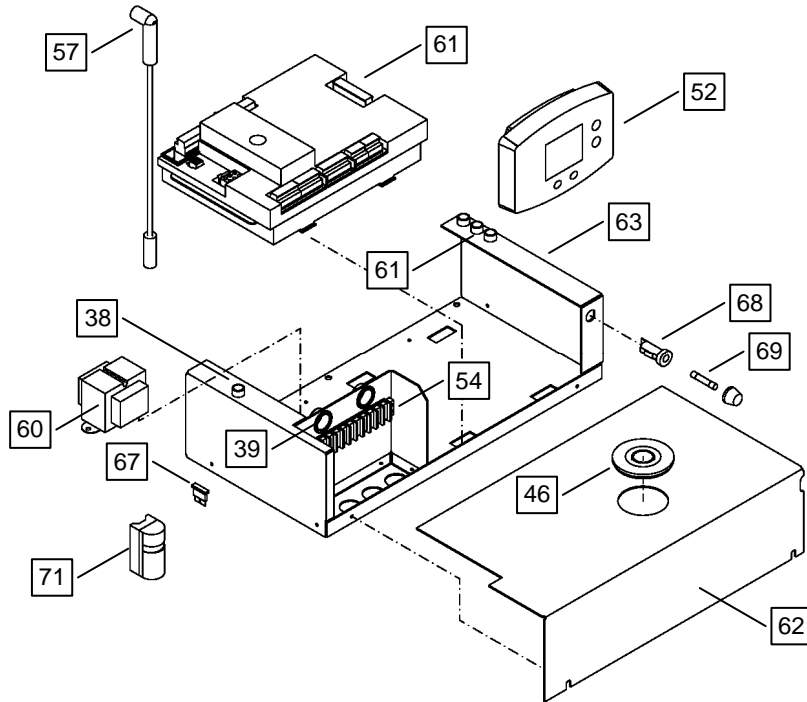


Figure 7-1 Tx Heat Engine and Gas Train
Heat Exchanger, Gas Valve, Blower and Burner Assembly

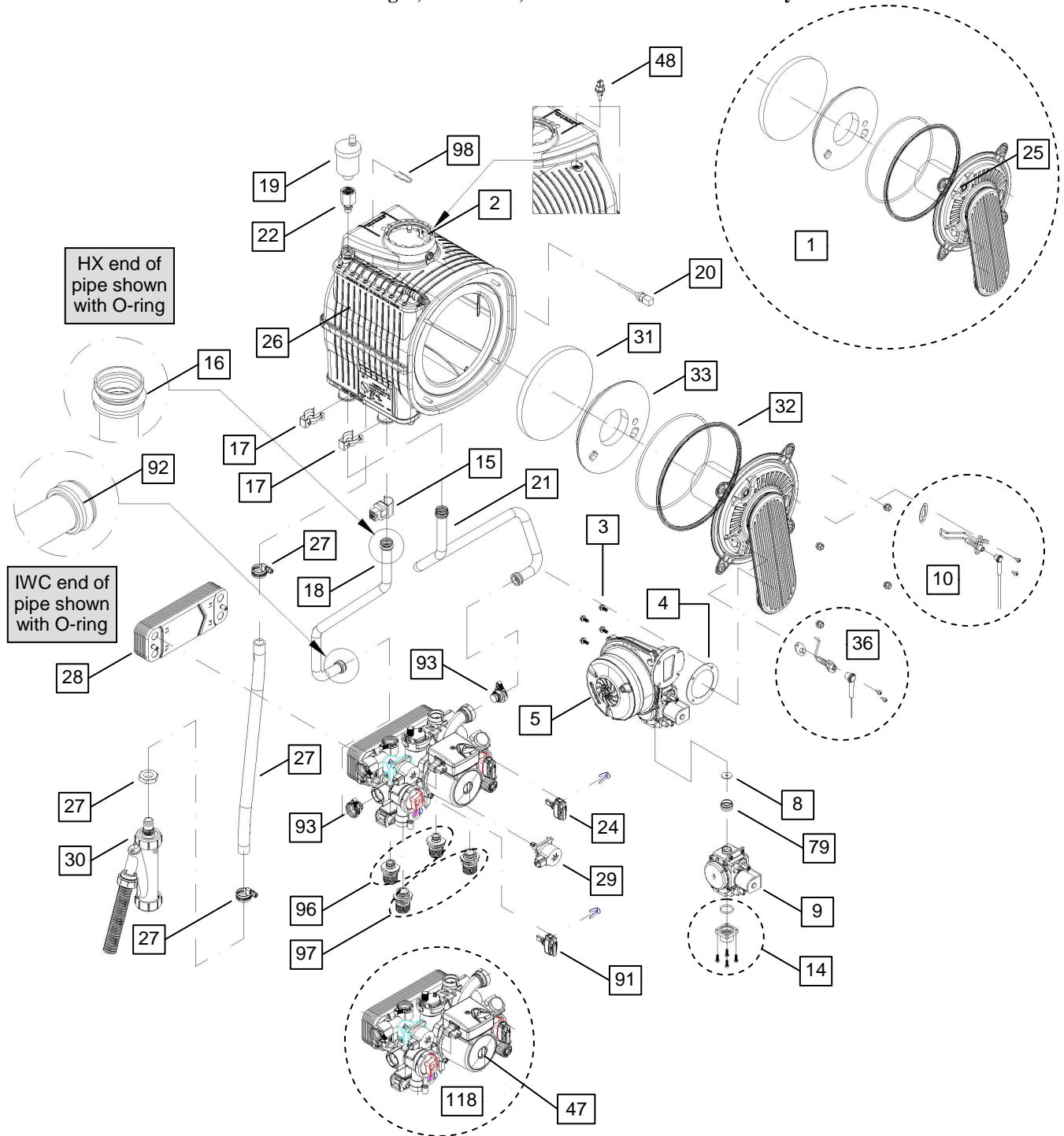


Figure 7-2 Tx Cabinet
Cabinet, Vent and Air-Inlet Parts

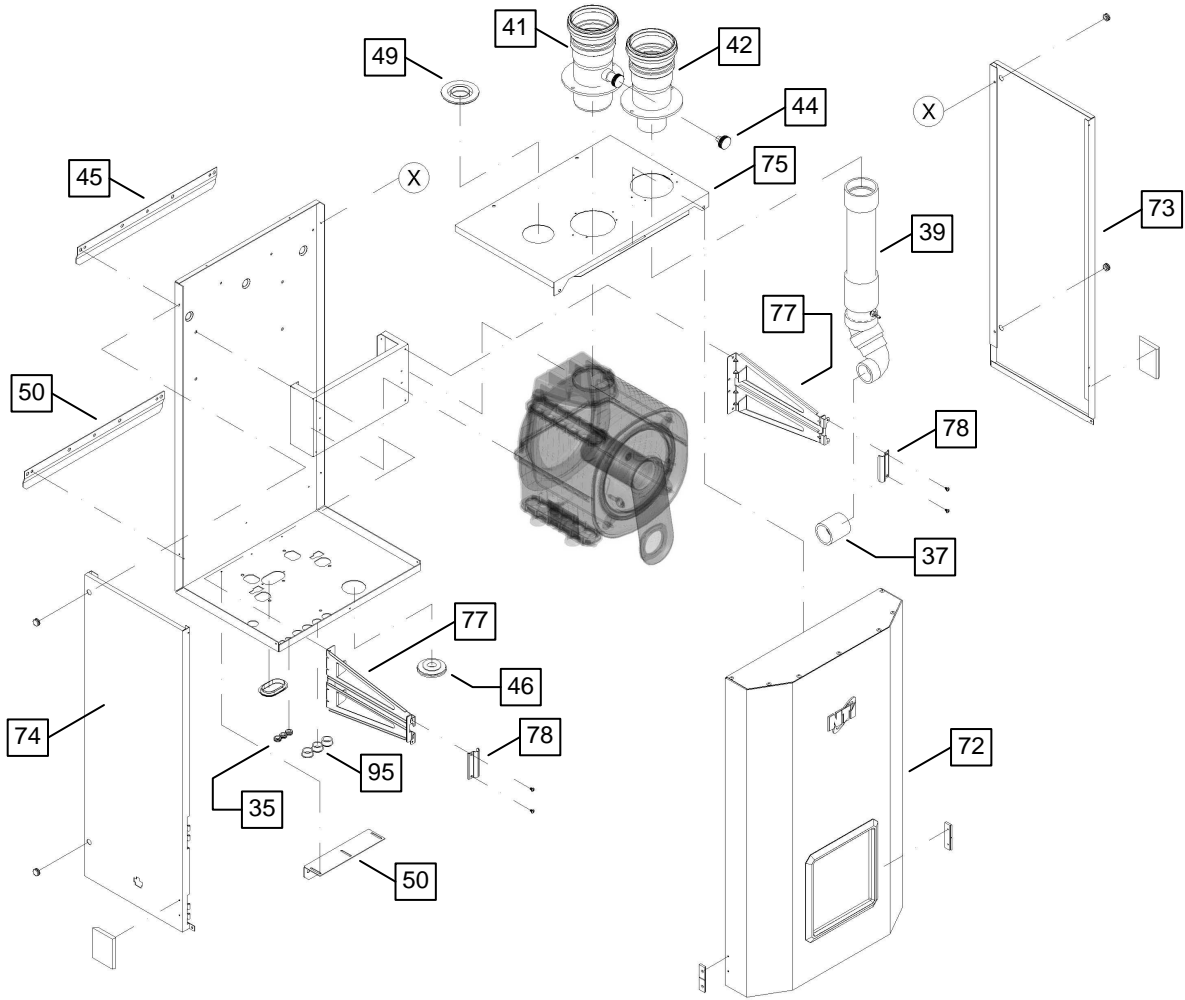


Figure 7-3 Tx Controls
Electrical Housing, Controller, and Display Module

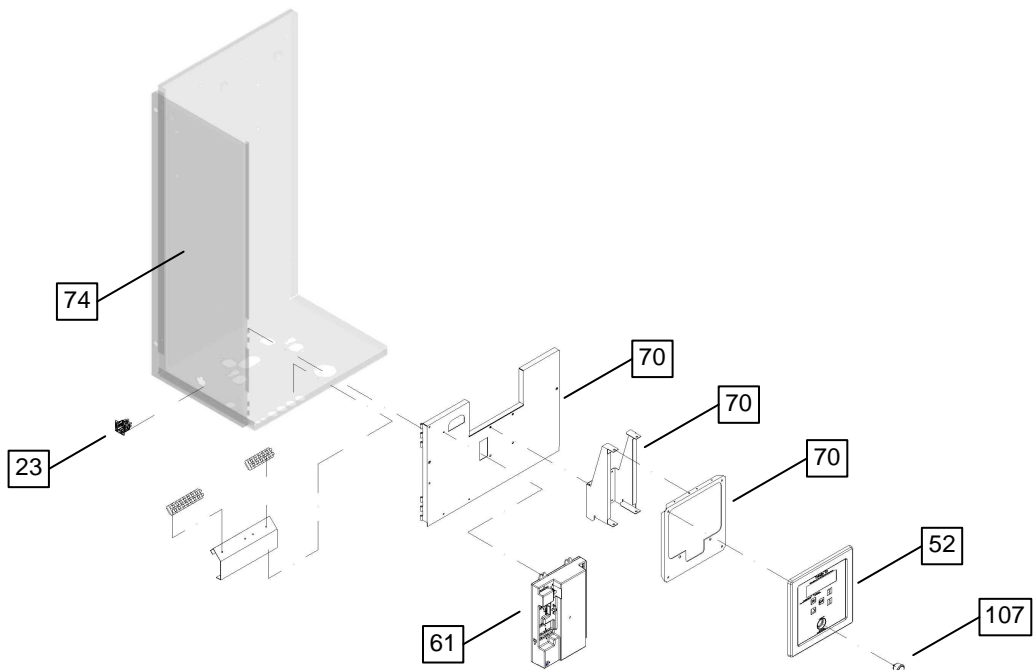


Figure 7-4 Tx Installation Kit Box

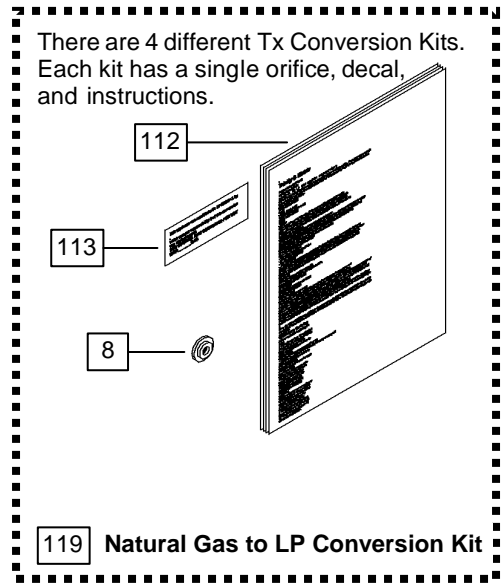
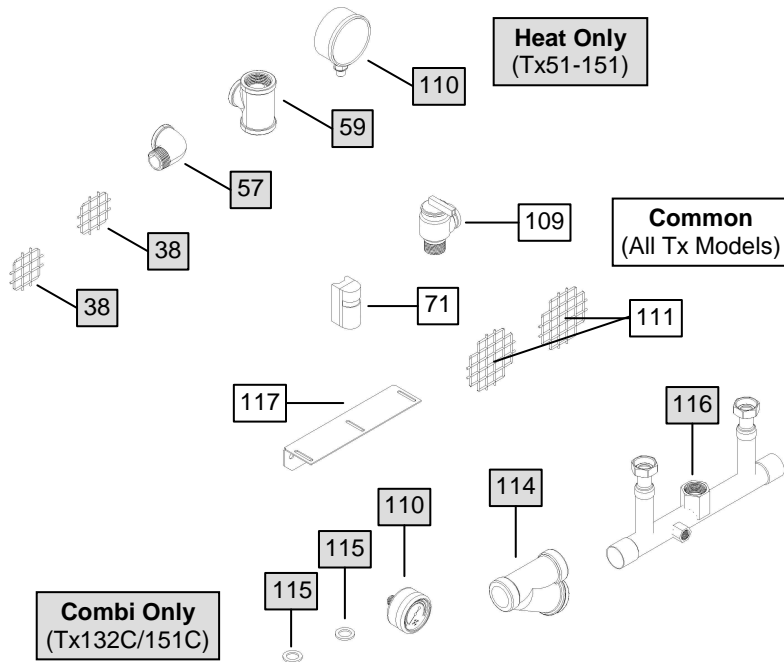


Table 1-1 Parts List

Revised: 2013-04-15

Item	Part #	Models	Description
1	82657	Lx150, M100(V), Ti100-150	Premix Burner 135.8
1	82658	Lx150E, Lx200, Ti200	Premix Burner 200.6
1	84207	Lx300	Premix Burner, Lx300
1	83173 (83338)	Lx400, Ti400	Premix Burner, Lx/Ti (400)
1	84382	Lx500	Premix Burner, Lx500
1	84383	Lx600	Premix Burner, Lx600
1	84134	Lx700-800	Premix Burner, Lx700-800
1	82379	T150	T150 Burner Replacement Kit
1	82381	T200	T200 Burner Replacement Kit
1	84547	Tft155-250	Premix Burner, Tft155-250
1	84552	Tft300-399	Premix Burner, Tft300-399
1	84541	Tft60-110	Premix Burner, Tft60-110
1	84248	Ts80	Premix burner, Ts80
1	84882	Tx51	Burner Assembly, c/w door, insulation & gasket, Tx51
1	84883	Tx81 (ASME models only)	Burner Assembly, c/w door, insulation & gasket, Tx81 ASME
1	84884	Tx101 (ASME models only)	Burner Assembly, c/w door, insulation & gasket, Tx101 ASME
1	84885	Tx151, Tx151C (ASME models only)	Burner Assembly, c/w door, insulation & gasket, Tx151 & Tx151C ASME
1a	82673	T150-200	Burner Door Remove Kit, T-series
2	82761	Lx150-500, M100(V), Ti100-400, Ts80	Premix Burner Gasket, Lx/M/Ti/Ts (80-500)
2	84133	Lx600-800	Premix Burner Gasket, Lx600-800
2	84548	Tft155-250	Premix Burner Gasket Tft155-250
2	84553	Tft300-399	Premix Burner Gasket Tft300-399
2	84542	Tft60-110	Premix Burner Gasket, Tft60-110
2	84743	Tx51-151, Tx151C	Flue Outlet Gasket (all Tx models)
3	82771	Lx150-200, M100(V), Ti100-200, Ts80	Extended Air Tube Lx/M/Ti/Ts (80-200)
3	83195	Lx300-500	Extended Air Tube Lx/Ti (300-500)
3	84132	Lx600-800	Conical Air-Gas Inlet/Stabilor Lx600-800

Item	Part #	Models	Description
3	84597	Tx51-151, Tx151C	Blower Mounting Screws, M5x12 Hex (all Tx models)
4	82766	Lx150-500, M100(V), Ti100-150, Ti400, Ts80, Tx51- 151, Tx151C	Blower Gasket Lx/M/Ti/Ts/Tx (51-500)
4	84026	Lx600-800	Blower Gasket Lx600-800
4	82493	T150-200	Blower Gasket T150-200 (Included with 82379 & 82381)
4	84441	Tft60-399	Blower Gasket Tft60-399
4	82719	Ti200	Blower Gasket Ti200 Only
5	82052	Lx150, M100(V), Tft60-110, Ti100- 150, Ts80	EBM Blower RG130
5	82661 (82661-1)	Lx150E, Lx200-300, Tft155-250, Ti200	EBM Blower Kit RG148/1200-3633 (55667.01970)
5	82994 (82994-1)	Lx400, Tft300-399, Ti400	EBM Blower Kit RG148/Enhanced (55667.21200)
5	84322 (84322-1)	Lx500	EBM Blower Kit NRG137 Lx500
5	84006 (84006-1)	Lx600-800	EBM Blower Kit G1G170 Lx600-800
5	82053 (82053-1)	T150-200	EBM Blower Kit RG148/1200-3612 (55667.21120)
5	84909	Tx51	Blower/Venturi Assembly, 535 (Tx51)
5	84910	Tx81	Blower/Venturi Assembly, 534 (Tx81)
5	84911	Tx101	Blower/Venturi Assembly, 533 (Tx101)
5	84912	Tx151, Tx151C	Blower/Venturi Assembly, 532 (Tx151 & Tx151C)
6	82054-2 (84299)	Lx150-300, M100(V), Tft60-250, Ti100-200, Ts80	Venturi Gasket, Cork
6	83106	Lx400, Tft300-399, Ti400	O-Ring, Venturi To Blower Lx/Ti400, Tft300-399
6	84084	Lx600-800	O-Ring, Venturi To Blower Lx600-800
7	82054-1 (84297)	Lx150-200, M100(V), Ti150-200	Venturi 001
7	81994	Lx300, Tft155-250	Venturi 051
7	82990	Lx400, Tft300-399, Ti400	Venturi 45900450-010
7	84013	Lx600-800	Venturi Lx600-800
7	84433	Tft110	Venturi 002
7	83205	Ts80, Tft60-85, Ti100	Venturi 003
8	82650	Lx150-200, M100(V), Tft110,	Gas Valve Orifice 5.2mm, LP

Item	Part #	Models	Description
		Ti150-200	
8	84157	Lx300, Tft155-250	Gas Valve Orifice 6.2mm, LP
8	83017	Lx400 (LP)	Gas Valve Orifice 6.2mm, LP
8	82993	Lx400 (NG)	Gas Valve Orifice 8.0mm, NG
8	82066 (82066-1)	T150-200	Gas Valve Orifice 5.55mm, LP Conversion Kit
8	84471	Tft300-399 (LP)	Gas Valve Orifice 7.4mm, LP
8	84470	Tft300-399 (NG)	Gas Valve Orifice 9.6 mm, NG
8	84434	Tft60-85	Gas Valve Orifice 4.15mm, LP
8	83216	Ts80, Ti100	Gas Valve Orifice 3.4mm, LP
8	84869	Tx51	LP Orifice, 3.5mm (Tx51)
8	84870	Tx81	LP Orifice, 3.8mm (Tx81)
8	84871	Tx101	LP Orifice, 4.2mm (Tx101)
8	84795	Tx151, Tx151C	LP Orifice, 5.05 (Tx151 & Tx151C)
9	82054 (83204)	Lx150-300, M100(V), T150-200, Tft60-250, Ti100- 200, Ts80	Gas Valve VK8115V1341B (Valve Only)
9	82989	Lx400, Tft300-399, Ti400	Gas Valve VR8615VB 1044B
9	84318	Lx500	Gas Valve GB-ND 057
9	84012	Lx600-800	Gas Valve V8730C 1023B
9	84713	Tx51-151, Tx151C	Gas Valve (all Tx models)
10	83870	Lx150-500, Tft60- 399, Ts80	Ignition Electrode, Dual (Includes p/n: 82774)
10	84154	Lx600-800	Ignition Electrode, Dual Lx600-800 (Includes p/n: 82774)
10	82708 (82708-1)	M100(V), Ti100-400	Igniter Hot Surface, Norton 601, SS Shield (Includes Disconnects)
10	82059 (82059-1)	T150-200	Igniter Norton 601, 120V, 5 sec, 2.5" Insertion (Includes Disconnects)
10	84738-1	Tx51-151, Tx151C	Ignition Electrode, c/w gasket & cable (all Tx models)
11	82774	Lx150-800, Tft60- 399, Ti100-400, Ts80	Igniter Gasket, Graphite (Ignition Electrode / Flame Rod)
11	84739	Tx51-151, Tx151C	Ignition Electrode Gasket (all Tx models)
11a	82768	M100(V), Ti100-400	Igniter Gasket, Hot Surface, Ti/M
11a	82494	T150-200	Igniter Gasket, T-series & Legacy

Item	Part #	Models	Description
12	82600 (82600-1)	Lx150-300, M100(V), Tft30-250, Ti100-200, Ts80	Gas Valve Regulator Vent Upgrade Kit c/w Clamp (Includes p/n: 83134)
13	83194	Lx400, Tft300-399, Ti400	Gas Valve Inlet O-Ring Gasket
13	84138	Lx600-800	Gas Valve Inlet O-Ring
13	83883	M100(V), Lx150- 300, Tft60-250, Ti100-200, Ts80	Gas Valve Inlet O-Ring Gasket
14	82065	Lx150-300, M100(V), T150-200, Ti100-200, Ts80	Gas Valve Adapter 1/2" NPT Elbow
14	82991	Lx400	Gas Valve Adapter 3/4" NPT Straight
14	84321	Lx500	Gas Valve Adapter 253-517, 3/4" NPT, c/w Screws & O-Ring Lx500
14	84035	Lx600-800	Gas Valve Adapter 1" NPT Lx600-800
14	84435	Tft300-399	Gas Valve Adapter 3/4" NPT Elbow
14	84442	Tft60-250	Gas Valve Adapter 1/2" NPT Straight
14	84763	Tx51-151, Tx151C	Gas Valve Adapter, c/w screws and O-ring (all Tx models)
15	83606	Lx150-800, Ts80	Sensor, Outlet Dual
15	82671	M100(V), Ti100-200 (see bullets)	Thermister, 1/8" BSP (see bullets) <ul style="list-style-type: none"> ▪ All non-ASME M100(V) & Ti100-150 models manufactured before 3/20/2008 ▪ All Ti200 models manufactured before 2/1/2008
15	83035	M100(V), Ti100-400 (see bullets)	Thermister, 1/4" NPT (see bullets) <ul style="list-style-type: none"> ▪ All M100(V) models sold in US ▪ All Ti400 models ▪ All ASME stamped Ti100-150 models ▪ All M100(V) & Ti100-150 models manufactured after 3/20/2008 ▪ All Ti200 models manufactured after 2/1/2008
15	82057	T150-200	Thermister #t7335 115 Honeywell 1 MOhm
15	84039	Tft300-399	Sensor, Supply & Return Dual Tft300-399
15	84419	Tft60-250	Sensor, Supply & Return Dual Tft60-250
15	84781	Tx51-151, Tx151C	Outlet Sensor, clip-on, c/w retaining clip (all Tx models)
15a	82235	T150-200	Thermister Harness
16	83223-1 (83218)	Lx150-400, M100(V), Ti100-200, Ts80 (see bullets)	Low Water Pressure Switch 1/4" NPT (see bullets) <ul style="list-style-type: none"> ▪ All M100(V) models sold in US ▪ All Lx150-400 models ▪ All ASME stamped Ti100-150 models ▪ All M100(V) & Ti100-150 models manufactured after 3/20/2008 ▪ All Ti200 models manufactured after 2/1/2008
16	83223	M100(V), Ti100-200 (see bullets)	Low Water Pressure Switch 1/8" BSP (see bullets) <ul style="list-style-type: none"> ▪ All non-ASME M100(V) & Ti100-150 models manufactured before 3/20/2008 ▪ All Ti200 models manufactured before 2/1/2008

Item	Part #	Models	Description
16	84424	Tft60-399	Low Water Cut Off
16	84750	Tx51	O-ring (small), Boiler Inlet/Outlet, 2.76 x 17.72 (Tx51)
16	84748	Tx81-151, Tx151C (ASME models only)	O-ring (medium), Boiler Inlet/Outlet, 3.2 x 19, Tx81-151 & Tx151C (ASME models only)
17	83462	Lx150-200, M100(V), Ti100-200, Ts80 (see bullets)	Street Tee, Brass, 1/4" Lx150-400 (see bullets) <ul style="list-style-type: none"> ▪ All M100(V) models sold in US ▪ All Lx150-400 models ▪ All ASME stamped Ti100-150 models ▪ All M100(V) & Ti100-150 models manufactured after 3/20/2008 ▪ All Ti200 models manufactured after 2/1/2008
17	82698	Lx300-400	1/4" NPT Brass Tee Lx300-400
17	83458	M100(V), Ti100-200 (see bullets)	Street Tee, Brass, 1/8" Ti100-200 (see bullets) <ul style="list-style-type: none"> ▪ All non-ASME M100(V) & Ti100-150 models manufactured before 3/20/2008 ▪ All Ti200 models manufactured before 2/1/2008
17	84464	Tft155-250	Pipe Coupling, Groove Joint, 1-1/4" Tft155-250
17	84465	Tft300-399	Pipe Coupling, Groove Joint, 1-1/2" Tft300-399
17	84463	Tft60-110	Pipe Coupling, Groove Joint, 1" Tft60-110
17	84732	Tx51	Retaining Clip – Boiler Outlet/Inlet Pipe, 18mm (Tx51)
17	84734	Tx81-151, Tx151C	Retaining Clip – Boiler Outlet/Inlet Pipe, 19mm (Tx81-151 & Tx151C)
18	82228	Combi (T/Ti), M100(V)	Tempering Valve # AM101-US-1
18	83007	Lx150-800, Ts80	Bushing Brass, 1/4" x 1/8"
18	84457	Tft155-250	Supply Pipe, SS, 1-1/4"
18	84460	Tft300-399	Supply Pipe, SS 1-1/2"
18	84454	Tft60-110	Supply Pipe, SS, 1"
18	84809	Tx51	Outlet Pipe, 18mm (Tx51)
18	84806	Tx81-151 (ASME models only)	Outlet Pipe, 19mm, Tx81-151 (ASME models only)
18	84804	Tx151C (ASME models only)	Outlet Pipe, Combi, Tx151C (ASME models only)
19	82539	Lx150-800, M100(V), Ti100-400, Ts80	Auto Air Vent, 1/8" NPT
19	84474	Tft60-399, Tx51- 151, Tx151C	Auto Air Vent, 1/2" NPT
20	83608	Lx150-400, Tft60- 399, Ts80	Flue Sensor, Dual
20	84039	Lx500-800	Flue Sensor, Dual (Commercial)
20	82660 (82660-1)	M100(V), Ti100-200	Stack Limit 1/4BSP, 190F, Dif=30 (c/w Disconnects)

Item	Part #	Models	Description
20	81873	T150-200	Sensor, Stack Safety (Manual Reset)
20	84780	Tx51-151, Tx151C	Flue Sensor (all Tx models)
21	82765	Lx150-200, M100(V), Ti100-200, Ts80	Composite Flue Outlet Gasket Lx150-200
21	84458	Tft155-250	Return Pipe, SS 1-1/4"
21	84461	Tft300-399	Return Pipe, SS 1-1/2"
21	84455	Tft60-110	Return Pipe, SS 1"
21	84810	Tx51	Inlet Pipe, 18mm (Tx51)
21	84807	Tx81-151 (ASME models only)	Inlet Pipe, 19mm, Tx81-151 (ASME models only)
21	84805	Tx151C (ASME models only)	Inlet Pipe, Combi, Tx151C (ASME models only)
22	82763	Lx150-200, M100(V), Ti100-200, Ts80	Composite Flue Box
22	82373 (82373-1)	T150-200	Boiler Flue Box SS (Smoke Hood) T-series
22	84801	Tx51-151, Tx151C	Auto Air Vent Adapter (all Tx models)
23	82764	Lx150-200, M100(V), T150-200, Ti100-200, Ts80	Trinity Flue Box To Heat Exchanger Gasket
23	84423	Tft60-399, Tx51- 151, Tx151C	Receptacle, 120VAC
24	83605	Lx150-800, Ts80	Sensor, Inlet Single Lx/Ts (80-800)
24	83507	M100(V)	Flow Meter [M100(V) manufactured after 2/21/2008]
24	81896	M100(V), Combi (T/Ti)	Flow Switch FS-380, .5 activate [M100(V) manufactured before 2/21/2008]
24	84745	Tx51-151, Tx151C	Inlet/Pressure Sensor (all Tx models)
25	83706	Lx150-400, Ts80	Plug, Brass 1/4" NPT Lx150-400
25	84075	Lx500-800	Plug, Brass 1/2" NPT (Commercial)
25	82659	M100(V), Ti100-200 (see bullets)	Manifold Limit 1/8" BSP (see bullets) <ul style="list-style-type: none"> ▪ All non-ASME M100(V) & Ti100-150 models manufactured before 3/20/2008 ▪ All Ti200 models manufactured before 2/1/2008
25	82992 (82992-1)	M100(V), Ti100-400 (see bullets)	Manifold Limit 1/4" NPT c/w Disconnects (see bullets) <ul style="list-style-type: none"> ▪ All M100(V) models sold in US ▪ All Ti400 models ▪ All ASME stamped Ti100-150 models ▪ All M100(V) & Ti100-150 models manufactured after 3/20/2008 ▪ All Ti200 models manufactured after 2/1/2008
25	82232	T150-200	Safety Limit # 37T31 #31466, T-series

Item	Part #	Models	Description
25	84546	Tft60-399	Sight Glass Assembly Tft-series
25	84913	Tx51-151, Tx151C	Sight Glass, c/w gasket & snap ring (all Tx models)
25a	81873	T150-200	NO Flow Sensor (Manual Reset)
26	83395	Lx150 (CAN)	Heat Exchanger, Lx150 (Not Lx150E), Canada Only
26	83012	Lx150 (US), M100(V) (US), Ti100-150 (US)	Heat Exchanger ASME, Lx/Ti100-150 (Not Lx150E), US Only
26	83396	Lx150E, Lx200	Heat Exchanger ASME, Lx150E-200
26	84022	Lx300	Heat Exchanger ASME, Lx300
26	82926 (82926-1)	Lx400, Ti400	Heat Exchanger Assembly ASME, Lx/Ti400
26	84311	Lx500	Heat Exchanger ASME, Lx500
26	84312	Lx600	Heat Exchanger ASME, Lx600
26	84005	Lx700-800	Heat Exchanger ASME, Lx700-800
26	82596	M100(V) (CAN), Ti100-150 (CAN)	Heat Exchanger Kit Ti100-150 (Kit includes p/n: 83395)
26	82061 (82061-1)	T150	Heat Exchanger Assembly T150 c/w Flue Outlet Gasket
26	82062 (82061-2)	T200	Heat Exchanger Assembly T200 c/w Flue Outlet Gasket
26	84456	Tft155-250	Heat Exchanger ASME Tft155-250
26	84459	Tft300-399	Heat Exchanger ASME Tft300-399
26	84453	Tft60-110	Heat Exchanger ASME Tft60-110
26	82647 (82597)	Ti200	Heat Exchanger Assembly ASME Ti200 (Kit includes p/n: 83396)
26	84021	Ts80	Heat Exchanger ASME, Ts80
26	84673	Tx51 (ASME models only)	Heat Exchanger, ASME 2+1 (Tx51)
26	84674	Tx81 (ASME models only)	Heat Exchanger, ASME 3+1 (Tx81)
26	84675	Tx101 (ASME models only)	Heat Exchanger, ASME 4+1 (Tx101)
26	84676	Tx151, Tx151C (ASME models only)	Heat Exchanger, ASME 5+1 (Tx151 & Tx151C)
27	83042	Lx150-200, M100(V), Ti100-200, Ts80	Y Drain Fitting 5/8" White
27	82127	T150-200	Y Drain Fitting 1/2"
27	84505	Tft300-399	Tube Strap Tft300-399
27	84504	Tft60-250	Tube Strap Tft60-250
27	83044-1	Tx51-151, Tx151C	Condensate Drain Tube, c/w retaining nut & gear clamps (all Tx models)
28	82011	Combi (T/Ti), M100(V)	Heat Exchanger, Brazed Plate LA1430

Item	Part #	Models	Description
28	83721	Lx150-800, Ts80	Tee, PVC, 1/2" Sch.40 White
28	84637	Tft60-399	Plug, Flue Sensor, Tft-series
28	84914	Tx151C	Brazed Plate Heat Exchanger (Tx151C)
29	82160	Combi (T/Ti), M100(V)	3 Way Valve VU54S2016B, 3/4"
29	83720	Lx150-800, Ts80	Elbow, Street 90, PVC 1/2" Sch.40 White
29	84915	Tx151C	Diverter Valve Stepper Motor (Tx151C)
30	83715	Lx150-200, Ts80	Condensate Drain Tube Lx150-200, Ts80
30	83907	Lx300-400	Condensate Drain Tube Lx300-400
30	84313	Lx500-600	Condensate Drain Tube Lx500-600
30	83996	Lx700-800	Condensate Drain Tube Lx700-800
30	82913 (83510)	M100(V), Tft60-399, Ti100-400, Tx51- 151, Tx151C	Condensate Trap
31	83112 (83112-1)	Lx150-800, M100(V), T150-200, Ti100-400, Ts80	Trinity Divider Plate Insulation Kit c/w Screws & Washers
31	84479	Tft60-399	Elbow, Brass, Street 90, 3/4"
31	84742	Tx51-151, Tx151C	Deflector Insulation (all Tx models)
32	82770	Lx150-500, M100(V), Ti100-400, Ts80	Burner Door Viton Gasket (Not Lx600-800)
32	84136	Lx600-800	Burner Door Viton Gasket Lx600-800
32	82342	T150-200	Burner Door O-Ring (Included with 82379 & 82381)
32	84549	Tft155-250	Burner Plate Gasket Tft155-250
32	84554	Tft300-399	Burner Plate Gasket Tft300-399
32	84545	Tft60-110	Burner Plate Gasket Tft60-110
32	84737	Tx51-151, Tx151C	Burner Door Gasket, EPDM (all Tx models)
32a	82343	T150-200	Burner Door 3/8" H.D. Rope Gasket (Included w/ 82379 & 82381)
33	83808	Lx150-200, Lx500	Burner Door Ceramic Disc Lx150-200,500
33	83950	Lx300-400, Ti400, Ts80	Burner Door Ceramic Disc Lx300-400, Ti400, Ts80
33	84137	Lx600-800	Burner Door Ceramic Disc Lx600-800
33	84551	Tft155-250	Burner Plate Ceramic Disc Tft155-250
33	84556	Tft300-399	Burner Plate Ceramic Disc Tft300-399
33	84544	Tft60-110	Burner Plate Ceramic Disc Tft60-110
33	84736	Tx51-151, Tx151C	Burner Door Ceramic Insulation (all Tx models)

Item	Part #	Models	Description
34	83885	Lx150-200, Lx500	Cast Aluminum Burner Door Lx150-200,500
34	83949	Lx300-400, Ti400, Ts80	Cast Aluminum Burner Door Lx300-400, Ti400, Ts80
34	84135	Lx600-800	Cast Aluminum Burner Door Lx600-800
34	82767-1	M100(V), Lx300-400, Ti100-400, Ts80	Cast Aluminum Burner Door Kit Ti100-400 (Includes p/n: 83949 & 83950)
34	84550	Tft155-250	Burner Plate Tft155-250
34	84555	Tft300-399	Burner Plate Tft300-399
34	84543	Tft60-110	Burner Plate Tft60-110
35	82159	Combi (T/Ti)	3 Way Actuator VU444A1007B
35	83934	Lx300-400	Nipple, Brass 1/4" x 6" 113-B6 Lx300-400
35	82973	M100(V)	3 Way Actuator VU844A1003B
35	84214	Ts80, Tft60-399, Tx51-151, Tx151C	Grommet, Diaphragm, 1/2"
36	82762 (82762-1)	Lx150-500, M100(V), Tft60-399, Ti100-400, Ts80	Flame Rod Lx/Ti/Ts/Tft (60-500) (Includes p/n: 82774)
36	84155	Lx600-800	Flame Rod Lx600-800 (Includes p/n: 82774)
36	82060	T150-200	Flame Probe (models with Fenwal # 22-100001-62)
36	84740-1	Tx51-151, Tx151C	Ionization Electrode, c/w gasket & cable (all Tx models)
37	82099	Lx150-300, Tft60-250, Ts80	1-1/2" MJ Coupling
37	83951 (82100)	Lx400, Tft300-399, Ti400	2" MJ Coupling
37	84755	Tx51-151, Tx151C	MJ Coupling, 1-1/2 x 1-1/4 (all Tx models)
38	83425	Lx150-200	Elbow, Street 90, PVC System 15, 1 1/2" Lx150-200
38	83083	M100(V)	Fan Control Matrix
38	82615	Tft60-110, Tx51-151, Tx151C	Round Mesh Vent Screen, 2"
38	53044	Ts80	Snap Bushing, 1/2"
39	83426-1	Lx150 (US)	1-1/2" PVC Pipe, System 15, 1.75" Long Lx150.3
39	83426-2	Lx150E, Lx200	1-1/2" PVC Pipe, System 15, 4.5" Long Lx150E-200
39	83952	Lx400	Air Inlet Assembly Lx400
39	84558	Tft155-250	Air Inlet Assembly Tft155-250
39	84559	Tft300-399	Air Inlet Assembly Tft300-399
39	84557	Tft60-110	Air Inlet Assembly Tft60-110
39	82622-1	Ti100-200	Air Inlet Assembly Ti100-200
39	83927	Ts80	Snap Bushing, 7/8"

Item	Part #	Models	Description
39	84881	Tx51-151, Tx151C	Air Inlet Assembly (all Tx models)
39a	84208	Lx300	Air Metering Assembly 1-1/2" PVC Lx300
39b	84209	Lx300	Air Inlet Assembly 2" PVC Lx300
40	83425-1 (82622-3)	Lx150-200, M100(V)	Air Metering Elbow Lx150-200, Matrix
40	82104-1	Ti100-200	Air Metering Elbow Ti100-200
40	84235	Ts80	Air Metering Assembly Ts80
41	83712	Lx150-200	Flue Outlet Adapter SS c/w Plug Lx150-200
41	83213	Lx300-400	Flue Outlet Adapter SS Lx300-400
41	84387	Lx500-600	Flue Outlet Adapter SS c/w Tabs Lx500-600
41	84052	Lx700-800	Flue Outlet Adapter SS Lx700-800
41	83291-2	M100(V)	Flue Adapter Assembly 2" CPVC x 3.5" (Models manufactured before 12/9/2009)
41	83291-3	M100(V)	Flue Adapter Assembly 2" CPVC x 4.5" (Models manufactured after 12/9/2009)
41	83220	T150-200	Flue Pipe Connector c/w Gasket
41	84438	Tft155-250	Flue Outlet Adapter SS 3" (304066) Tft155-250
41	84451	Tft300-399	Flue Outlet Adapter SS 4" (304081) Tft300-399
41	84437	Tft60-110	Flue Outlet Adapter SS 3" (304065 D) Tft60-110
41	83291-1(100/150)	Ti100-150 CAN	Flue Adapter Replacement Kit (Canadian Ti100-150 manufactured before 6/7/2010)
41	83291-1(100.3/150.3)	Ti100-150 US	Flue Adapter Replacement Kit (US Ti100-150 manufactured before 6/7/2010)
41	84170	Ti100-200, Ts80	Flue Outlet Adapter SS (All Ts80, Ti100-200 manufactured after 6/7/2010)
41	83291-1(200)	Ti200	Flue Adapter Replacement Kit (Ti200 manufactured before 6/7/2010)
41	84785	Tx51-151, Tx151C	Flue Outlet Adapter, PPS/PVC, c/w test plug (all Tx models)
42	82882	Lx300-400	Fernco Coupling, Rubber, 4" Lx300-400
42	84051	Lx500-800	Air Inlet Adapter SS (Commercial)
42	82368	M100(V), T150-200, Ti100-150 (CAN), Combi (Ti)	Compression Nut Washer, Water Connection, 3/4"
42	84450	Tft300-399	Air Inlet Adapter SS 4" Tft300-399
42	84436	Tft60-250	Air Inlet Adapter SS 3" Tft60-250
42	84215	Ts80	Fernco Coupling, Rubber, 3" x 1.5"
42	84786	Tx51-151, Tx151C	Air Inlet Adapter, PPS/PVC (all Tx models)
43	83477	Lx150-200	Bushing, PVC Sch. 40, 3"x1.5"
44	83712-1	Lx150-200	Plug, Stainless Steel 3/8" Lx150-200

Item	Part #	Models	Description
44	84054	Lx300-800, Ti400	Exhaust Test Plug, Viton Lx300-800, Ti400
44	83084	M100V	HRV Assembly Matrix
44	84497	Tft60-399	Exhaust Test Plug, EPDM Tft60-399
44	84916	Tx51-151, Tx151C	Test Port Plug (all Tx models)
45	83873	Lx150-200	Wall Mount Bracket Top Lx150-200
45	83953	Lx300-400	Wall Mounting Bracket Top Lx300-400
45	83222	M100(V)	Plenum Sensor Matrix
45	84567	Tft300-399	Wall Mount Bracket Top Tft300-399
45	84566	Tft60-250	Wall Mount Bracket Top Tft60-250
45	84236	Ts80	Wall Mounting Bracket Top Ts80
46	83505	Lx150-300, Tft60-250, Ts80, Tx51-151, Tx151C	Grommet, Vinyl, 7/8" OD, 1/2" IPS (1020T)
46	83923	Lx400, Tft300-399	Grommet, Vinyl, 3/4" IPS (1020)
46	83506	Lx600-800	Grommet, Vinyl, 1" IPS (1300)
46	83553 (83208)	M100(V)	Door Safety Switch Matrix
47	83506	Lx150-200, Tft60-110	Grommet, Vinyl, 1-3/8" OD (1300)
47	83924	Lx300-400	Grommet, Vinyl, 2" OD (2250) Lx300-400
47	84097	Lx500-800	Grommet, Vinyl, 2-1/2" IPS (3125) (Commercial)
47	81396	M100(V)	Circulator Pump Grundfos UP15-42B7
47	84439	Tft155-250	Grommet, Vinyl 1-1/4" IPS (1625) Tft155-250
47	84440	Tft300-399	Grommet, Vinyl 1-1/2" IPS (1875) Tft300-399
47	84917	Tx151C	Circulator Cartridge, UPS15-78 (Tx151C)
48	83874	Lx150-200	Air Switch Bracket Lx150-200
48	83954	Lx300-400	Air Switch Bracket Lx300-400
48	84139	Lx600-800	Air Switch Bracket Lx600-800
48	83551	M100V	Double Collar, 6"
48	84239	Ts80	Air Switch Bracket Ts80
48	84886	Tx51-151, Tx151C	Thermal Fuse (all Tx models) – Contact NTI Tech Support before replacing
49	82662	Lx150-800, M100(V), T1100-400, Ts80	Air Switch Huba 604.E021180 (Set @ .2" wc)
49	82056	T150-200	Air Switch (N/O) MPL-501-G-0.2 (Closes @ 0.2" wc)
49	82371	T150-200	Air Switch (N/C) N/C-MPL-501-G-1.75 (Opens @ -1.75" wc)

Item	Part #	Models	Description
49	84440	Tx51-151, Tx151C	Air Vent Grommet, 1875 (all Tx models)
50	83875	Lx150-200	Wall Mount Bracket Bottom Lx150-200
50	83955	Lx300-400, Tft60-399	Wall Mount Bracket Bottom Lx300-400, Tft60-399
50	84237	Ts80	Wall Mount Bracket Bottom Ts80
50	84872	Tx51-151, Tx151C	Wall Mount Bracket, Bottom (all Tx models)
51	83508	Lx150-800	Display Molding, White Touch Screen Lx (Models manufactured before 6/1/2012)
51	84622	Lx150-800	Display Molding, Black Touch Screen Lx (Models manufactured after 6/1/2012)
51	83548	M100V	HRV HVC Board
52	83592	Lx150-800, Tft60-399	Display S7999C, White Touch Screen (Models manufactured before 6/1/2012)
52	84653	Lx150-800, Tft60-399	Display S7999D, Black Touch Screen (Models manufactured after 6/1/2012)
52	83160	M100(V)	Sentry 2100 Version B3.2
52	82013	T150-200, Ti100-200	Sentry 2100 Version T2.2
52	83171	Ti400	Sentry 2100 Version T4.1
52	83590	Ts80	Display S7910B, ICP Honeywell Segment Ts80
52	84764-1	Tx51-151, Tx151C	Display Assembly, 210LB (all Tx models)
53	83876	Lx150-200	Electrical J-Box Cover Left Lx100-200
53	53035	M100(V)	Furnace Blower Matrix
54	83872	Lx150-800	Barrier Strip Line Voltage Lx150-800
54	83081 (82831)	M100(V)	ECM Motor 3/4 HP
54	84420	Tft60-399	Terminal, Barrier, 2 Row, 8 Position
54	84206 (84187)	Ts80	Terminal, Barrier Double Row, Line/Low Voltage
55	83877	Lx150-200	Electrical J-Box Line Voltage Lx150-200
55	82285	M100(V)	Expansion Tank
55	84582	Tft155-250	Control Panel Support Tft155-250
55	84583	Tft300-399	Control Panel Support Tft300-399
55	84581	Tft60-110	Control Panel Support Tft60-110
56	83707	Lx150-800, Tft60-399	Ignition Coil Q652B1006/B
56	83154	M100(V)	Fin Tube Coil 20" x 15" (Models manufactured before 12/9/2009)
56	83363	M100(V)	Fin Tube Coil 22.5" x 18" (Models manufactured after 12/9/2009)
57	83724	Lx150-800, Tft60-399	Spark Igniter Wire 12"

Item	Part #	Models	Description
57	83140	Ts80	Spark Igniter Cable 21"
57	84479	Tx51-151	Elbow, Street, Brass, ¾ (Tx51-151)
58	82250	Lx150-800, Tft60-399, Ts80	Snap Bushing 1"
58	83547	M100V	HRV Fan
59	83592-1 (84015)	Lx150-800, Tft60-399	Power Supply, White Touch Screen Only
59	83549	M100V	HRV Pleated Filter x 2
59	82759	Tx51-151	Tee, Brass, 1 x 1 x 3/4" (Tx51-151)
60	82457 (83190)	Lx150-400, M100(V), T150-200, Tft60-399, Ti100-400, Ts80	Transformer 24V, 40VA
60	84047	Lx500-800	Transformer 24V, 75VA (Commercial)
61	83589	Lx150-400, Ts80	Honeywell Sola Controller R7910B1015/B Lx150-400, Ts80
61	84034	Lx500-800	Honeywell Sola Controller R7910A1001 (Commercial)
61	82058	M100(V), T150-200, Ti100-400	Ignition Module, Fenwal
61	77777	Tft60-399	Honeywell Sola Controller R7910B1015/B Tft60-399
61	84712	Tx51-151, Tx151C	Controller, 210MN (all Tx models)
62	83878	Lx150-400	Control Panel Cover Lx150-400
62	84140	Lx500-800	Control Panel Cover Lx500-800 (Commercial)
62	83550	M100V	HRV Core
62	84590	Tft60-399	Control Panel Cover Tft60-399
62	84241	Ts80	Control Panel Cover Ts80
63	83879	Lx150-400	Control Panel Lx150-400
63	84141	Lx500-800	Control Panel Lx500-800 (Commercial)
63	82237	T150-200	Wiring Harness T-series
63	84584	Tft60-399	Control Panel Tft60-399
63	82754-3	Ti100-150	Control Panel & Harness Less Sentry & Fenwal Ti100-150
63	82754-4	Ti100-150	Control Panel & Harness Ti100-150
63	82754	Ti200	Control Panel & Harness Ti200
63	82754-2	Ti200	Control Panel & Harness Less Sentry & Fenwal Ti200
63	83141	Ti400	Wiring Harness Ti400
63	84242	Ts80	Control Panel Ts80

Item	Part #	Models	Description
63	Tx Wiring Harness	Tx51-151, Tx151C	Wiring Harness Complete (all Tx models)
63a	82754-1 (82984)	M100(V), Ti100-400	PCB Optocoupler
64	83880	Lx150-200	Electrical J-Box Low Voltage Lx150-200
64	83555	M100V	HRV Damper Actuator 24V
65	83871	Lx150-400	Barrier Strip Low Voltage Lx150-400
65	84065	Lx500-800	Barrier Strip Low Voltage Lx500-800 (Commercial)
65	84421	Tft60-399	Terminal, Barrier, 2 Row, 9 Position
65	83059	Ti100-400	Terminal Strip
65a	83059-1	Ti100-200	Terminal Strip c/w Cable
66	83876-1	Lx150-200	Electrical J-Box Cover R1 Right Lx150-200
66	83552	M100V	Keeper, 6" Collar
67	83517	Lx150-400, Tft60-399, Ts80	Fuse, 2A, 32V, Plug Style
67	84918	Tx51-151, Tx151C	Fuse, LFT 3.15A, 250V (all Tx models)
68	84192	Lx150-800, Tft60-399, Ts80	Fuse Holder, Panel Mount, 20A, 250VAC max
69	83837	Lx150-800, Tft60-399, Ts80	Fuse, 7A, 250VAC, Barrel Style, Fast Blow
70	83882	Lx150-800	Display Mounting Support, White Touch Screen Lx (Models manufactured before 6/1/2012)
70	TBD	Lx150-800	Display Mounting Support, Black Touch Screen Lx (Models manufactured after 6/1/2012)
70	84586	Tft60-399	Display Mounting Support, White Touch Screen Tft (Models manufactured before 6/1/2012)
70	84588	Tft60-399	Display Cover, White Touch Screen Tft (Models manufactured before 6/1/2012)
70	TBD	Tft60-399	Display Mounting Support, Black Touch Screen Tft (Models manufactured after 6/1/2012)
70	TBD	Tft60-399	Display Cover, Black Touch Screen Tft (Models manufactured after 6/1/2012)
70	84238	Ts80	Display Mounting Bracket Ts80
70	TBD	Tx51-151, Tx151C	Control Panel Sheet Metal (all Tx models)
71	81027-1 (83604)	Lx150-800, M100(V), T150-200, Tft60-399, Ti100-400, Ts80, Tx51-151, Tx151C	Outdoor Sensor 10K
72	83886	Lx150-200	Front Cover Lx150-200
72	83956	Lx300-400	Front Cover Lx300-400
72	84372	Lx500	Front Cover Lx500

Item	Part #	Models	Description
72	84142	Lx600-800	Front Cover Lx600-800
72	82411-2	T150-200	Front Cover T-series
72	84578	Tft300-399	Front Cover Tft300-399
72	84577	Tft60-250	Front Cover Tft60-250
72	82411-3	Ti100-200	Front Cover Ti100-200
72	82411-1	Ti400	Front Cover Ti400
72	84246	Ts80	Front Cover Ts80
72	TBD	Tx51-151, Tx151C	Front Cover (all Tx models)
73	83887	Lx150-200	Right Side Lx150-200
73	84210	Lx300	Right Side Lx300
73	83957	Lx400	Right Side Lx400
73	84373	Lx500	Right Side Lx500
73	84374	Lx600	Right Side Lx600
73	84143	Lx700-800	Right Side Lx700-800
73	84571	Tft155-250	Right Side Tft155-250
73	84572	Tft300-399	Right Side Tft300-399
73	84570	Tft60-110	Right Side Tft60-110
73	84244	Ts80	Right Side Ts80
73	TBD	Tx51-151, Tx151C	Right Side (all Tx models)
74	83888	Lx150 (CAN)	Left Side Lx150, CAN
74	83888-1	Lx150 (US)	Left Side Lx150 (Not Lx150E), US
74	83888-2	Lx150E, Lx200	Left Side Lx150E-200
74	84211	Lx300	Left Side Lx300
74	83958	Lx400	Left Side Lx400
74	84375	Lx500	Left Side Lx500
74	84376	Lx600	Left Side Lx600
74	84144	Lx700-800	Left Side Lx700-800
74	84574	Tft155-250	Left Side Tft155-250
74	84575	Tft300-399	Left Side Tft300-399
74	84573	Tft60-110	Left Side Tft60-110
74	84243	Ts80	Left side Ts80
74	TBD	Tx51-151, Tx151C	Left Side (all Tx models)

Item	Part #	Models	Description
75	83889	Lx150-200	Front Top Lx150-200
75	84212	Lx300	Front Top Lx300
75	82959	Lx400	Front Top Lx400
75	84377	Lx500	Top Lx500
75	84378	Lx600	Top Lx600
75	84145	Lx700-800	Front Top Lx700-800
75	84564	Tft155-250	Top Panel Access Cover Tft155-250
75	84565	Tft300-399	Top Panel Access Cover Tft300-399
75	84563	Tft60-110	Top Panel Access Cover Tft60-110
75	84245	Ts80	Top Ts80
75	TBD	Tx51	Top Tx51
75	TBD	Tx81 (ASME models only)	Top Tx81 (ASME models only)
75	TBD	Tx101 (ASME models only)	Top Tx101 (ASME models only)
75	TBD	Tx151 (ASME models only)	Top Tx151 (ASME models only)
75	TBD	Tx151C (ASME models only)	Top Tx151C (ASME models only)
76	83890	Lx150-200	Top Panel Back Lx150-200
76	83960	Lx300-400	Rear Top Lx300-400
76	84146	Lx700-800	Rear Top Lx700-800
76	84561	Tft155-250	Top Panel Tft155-250
76	84562	Tft300-399	Top Panel Tft300-399
76	84560	Tft60-110	Top Panel Tft60-110
77	83961	Lx300-400	Fuel Air Metallic Tubing With Ends Lx400
77	84379	Lx500	Fuel Air Metallic Tubing With Ends Lx500
77	84147	Lx600-800	Fuel Air Metallic Tubing With Ends Lx600-800
77	84569	Tft60-399	Bottom Heat Exchanger Support Tft60-399
77	84726	Tx51	Heat Exchanger Support Rail, c/w screws (Tx51)
77	84727	Tx81 (ASME models only)	Heat Exchanger Support Rail, c/w screws (Tx81 ASME)
77	84728	Tx101 (ASME models only)	Heat Exchanger Support Rail, c/w screws (Tx101 ASME)
77	84729	Tx151, Tx151C (ASME models only)	Heat Exchanger Support Rail, c/w screws (Tx151 & Tx151C ASME)
78	83915	Lx300-400	High Vent Pressure Switch AFS460-367 Lx300-400
78	84380	Lx500	High Vent Pressure Switch ANA124-406 Lx500

Item	Part #	Models	Description
78	84053	Lx600-800	High Vent Pressure Switch ANA124-381 Lx600-800
78	84568	Tft60-399	Top Heat Exchanger Support Tft300-399
78	84730	Tx51-151, Tx151C	Heat Exchanger Support Front Clip (all Tx models)
79	83962	Lx400, Tft300-399, Ti400	Gas Valve Orifice O-Ring Lx400, Tft300-399
79	83206	Tft60-250, Ts80	Gas valve Screws/Seals
79	84919	Tx51-151, Tx151C	Gas Valve to Venturi Gasket (all Tx models)
80	84057	Lx500-800	Coupling 2" Brass (Commercial)
80	84576	Tft60-399	Back Tft60-399
81	84010	Lx150-800, Tft60-399	System Sensor, Pipe Sensor Lx/Tft
82	84087	Lx600-800	Gasket, Cork, Square Lx600-800
82	84579	Tft155-250	Bottom Tft155-250
82	84580	Tft300-399	Bottom Tft300-399
83	84045	Lx600-800	Cross, Brass, M5 Thread To Barb Lx600-800
84	84148	Lx600-800	Air Metering Tube Lx600-800
85	84044	Lx600-800	Elbow, Brass, M5 To Barb Lx600-800
85	84585	Tft60-399	Spark Generator Support Bracket
86	84388	Lx500	Nipple, 3/4" x 5", Black Iron Lx500
86	84061	Lx700-800	Nipple, 1" x 6", Black Iron Lx700-800
87	84389	Lx500	Elbow, 3/4" 90 Deg Street, Black Iron Lx500
87	84063	Lx600-800	Elbow, 1" 90 Deg Street, Black Iron Lx600-800
88	84347	Lx500	Manual Shut Off Valve, 3/4 " NPT Lx500
88	84025	Lx600-800	Manual Shut Off Valve, 1" NPT Lx600-800
89	84390	Lx500	Nipple, 3/4" x 2-1/2", Black Iron Lx500
89	84351	Lx600	Nipple, 1" x Close, Black Iron Lx600
89	84062	Lx700-800	Nipple, 1" x 3-1/2", Black Iron Lx700-800
90	84064	Lx700-800	Elbow, 1", 90 Deg, Black Iron Lx700-800
91	84102	Lx500-800	Flow Switch, FS8-W (Commercial)
91	81887	Ti400	Flow Switch, FS10C, Ti400

Item	Part #	Models	Description
91	84907	Tx151C	DHW Temperature/Flow Sensor, VFS (Tx151C)
92	84099	Lx500-800	Bushing, 2" x 1" Brass, (Commercial)
92	84472	Tft155-250	Brass Bushing, 1-1/4" x 3/4" Tft155-250
92	84473	Tft300-399	Brass Bushing, 1-1/2" x 3/4" Tft300-399
92	82869	Tft60-110	Brass Bushing, 1" x 3/4" Tft60-110
92	84749	Tx151C	O-ring (large), Combi Block Inlet/Outlet, 4 x 17 (Tx151C)
93	84058	Lx500-800	Tee, 2" x 2" x 2" Brass (Commercial)
93	84467	Tft155-250	Brass Tee, 1-1/4" x 1/2" x 1-1/4" Tft155-250
93	84468	Tft300-399	Brass Tee, 1-1/2" x 1/2" x 1-1/2" Tft300-399
93	84466	Tft60-110	Brass Tee, 1" x 1/2" x 1" Tft60-110
93	84921	Tx151C	Retaining Clips, Combi Block Inlet/Outlet (Tx151C)
94	84381	Lx600	Gas Valve Regulator Sensing Tube Lx600
94	84149	Lx700-800	Gas Valve Regulator Sensing Tube Lx700-800
95	84095	Lx500-800, Tft60-399, Ts80, Tx51-	Plug, 7/8" Black Dome
96	84069	Lx600-800	Clamp, U-Bolt, 1" IPS Lx600-800
96	84922	Tx151C	DHW Fittings, Combi Block, 3/4" NPT (Tx151C)
97	84072	Lx500-800	Leg Leveler, 3/8-16 x 1/5" (Commercial)
97	84923	Tx151C	CH Fittings, Combi Block, 3/4" NPT (Tx151C)
98	84073	Lx500-800	Leg Leveler, Hex Base Cap (Commercial)
98	84924	Tx51-151, Tx151C	Retaining Clip, Air Vent Adapter (all Tx models)
99	84150	Lx500-800	Flow Switch Wiring Conduit (Commercial)
100	83923	Lx500-800	Grommet, Vinyl, 3/4" IPS (1020) (Commercial)
101	84346	Lx500	Grommet, Vinyl 3" IPS (3375), Air Intake Lx500
101	84011	Lx600-800	Gasket, Air Intake 3/16" Lx600-800
102	84056	Lx500-800	Relay, Omron (Commercial)
103	82253	Lx150-300, Tft60-250, Ts80	Torx Allen Key (Included in 82650-1)
104	84130	Lx500-800	Flow Switch Wiring Conduit Fitting (Commercial)
105	82064	Lx150-300, M100(V), T150-200, Ti100-200, Tft60-	Gas Valve Harness

Item	Part #	Models	Description
		250, Ts80	
105	83016	Lx400, Tft300-399, Ti400	Gas Valve Harness Lx/Ti400, Tft300-399
105	84319	Lx500	Gas Valve Harness, Dungs Lx500
106	84392	Lx500-800	Thermal Fuse, Heat Exchanger Exterior (Commercial)
107	84490	Lx500-800, Tft60-399	Switch, On-Off
107	84422	Tx51-151, Tx151C	Rocker Power Switch (all Tx models)
108	83911	Lx150-200, M100(V), Tft60-250, Ti100-200, Ts80	CPVC Pipe 3", System 636, 5" Long
108	83427	Lx300-600, Tft300-399	CPVC Pipe 4", System 636, 5" Long
109	13701	Lx150-400, M100(V), Tft60-399, Ti100-400, Ts80, Tx51-151, Tx151C	Pressure Relief Valve, ASME, 3/4" NPT, 30PSI
110	84090	Lx150-400, M100(V), Tft60-399, Ti100-400, Ts80, Tx51-151	Pressure Gauge 0-60PSI
110	84859	Tx151C	Pressure Gauge, Back Mount, 60psi (Tx151C)
111	82616	Lx150-200, M100(V), Tft60-250, Ti100-200, Ts80, Tx51-151, Tx151C	Round Mesh Vent Screen, 3"
111	83018	Lx300-600, Tft300-399, Ti400	Round Mesh Vent Screen, 4" (300-600)
112	84492	Lx150-300, M100(V), Tft60-250, Ti100-200, Ts80	Natural Gas To LP Conversion Instructions (Included in 82650-1)
112	84501	Tft300-399	Natural Gas To LP Conversion Instructions (Included in 84471-1)
112	84925	Tx51-151, Tx151C	Natural Gas to LP Conversion Instructions (all Tx models)
113	82782	Lx150-300, M100(V), Tft60-250, Ti100-200, Ts80	Conversion Decal (Included In 82650-1)
113	84483	Tft300-399	Conversion Decal (Included In 84471-1)
113	84867	Tx51-151, Tx151C	LP Conversion Decal (all Tx models)
114	83645	Tx151C	Y-Strainer, Brass, 3/4", 100M Screen (Tx151C)
115	82368	Tx151C	Compression Gasket, Rubber (Tx151C)
116	84808	Tx151C	Low Loss Header Pipe, FIDT (Tx151C)
117	84929	Tx51-151, Tx151C	Wall Mount Bracket, L-shaped (all Tx models)
118	84744	Tx151C	IWC - Integrated Water Control, Grundfos (Tx151C)
119	84867-1	Tx51	NG to LP Conversion Kit, Tx51 (2+1)

Item	Part #	Models	Description
119	84867-2	Tx81	NG to LP Conversion Kit, Tx81 (3+1)
119	84867-3	Tx101	NG to LP Conversion Kit, Tx101 (4+1)
119	84867-4	Tx151, Tx151C	NG to LP Conversion Kit, Tx151 & Tx151C (5+1)



NY Thermal Inc. 65 Drury Cove Road Saint John, NB E2H 2Z8 Canada
Technical Assistance: 1-800-688-2575 Fax: 1-506-432-1135
Website: www.nythermal.com