



**Trinity Tft155-175-200-250**  
**High Efficiency Gas**  
**Modulating-Condensing Boiler**

**Submittal Sheet**

Section 1 - Specifications  
 Section 2 - Dimensions  
 Section 3 - Electrical

**Project Name:** \_\_\_\_\_ **Date:** \_\_\_\_\_  
**Location:** \_\_\_\_\_  
**Engineer:** \_\_\_\_\_  
**Contractor:** \_\_\_\_\_ **Rep:** \_\_\_\_\_

**1 SPECIFICATIONS**

**General Specifications**

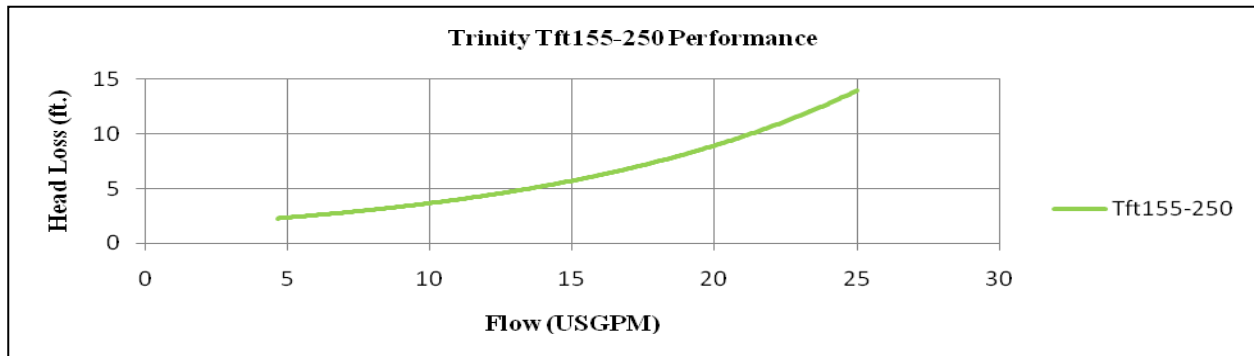
- ▶ **Product Features**
  - Certified to ANSI Z21.13 / CSA 4.9 Gas-fired Boiler Standard (pending)
  - ASME "H" stamped boiler, designed and constructed in compliance with the ASME Boiler and Pressure Vessel Code Section IV
  - SA240-S43932 Stainless Steel Heat Exchanger
  - Maximum operating pressure 30 psi [206.8 kPa]
  - Field conversion from Natural Gas (factory) to Propane
  - Modulating burner, up to 8:1 turndown
  - Direct Spark Ignition
  - Wall (standard) or floor mounting (w/ opt. kit, NTI part # 84630)
  - Zero clearance to combustibles
- ▶ **Optional sidewall vent kit (NTI part # 82666 & 84357)**
- ▶ **Factory Supplied Items**
  - 10K thermistor outdoor sensor
  - 30PSI [206.8 kPa] ASME Relief Valve
  - 30PSI [206.8 kPa] Pressure Gauge
- ▶ **Control Features**
  - Integral microprocessor safety control
  - 2 central heat inputs (high & low temperature)
  - Domestic Hot Water Priority
  - Outdoor reset
  - Warm weather shutdown
  - Lead-Lag up to 8 Tft and Lx series boilers
  - Integrated Modbus RTU for connection to BMS gateways

Water Connections NPT, in.	Gas Connection NPT, in.	Vent/Air-Intake Pipe Diameter in. [mm]	Vent/Air-Intake Max. Length ft. [m]	Approx. Weight with Water lb. [kg]
1 ¼ (Male)	½ (Male)	3 [76]	100 [30.5]	180 [81.8]

**Heating Specifications**

Input			Heating Capacity BTU/hr [kW]	AFUE %	Net I=B=R Rating BTU/hr [kW]
Model	Min BTU/hr [kW]	Max BTU/hr [kW]			
Tft155	31,000 [9.0]	155,000 [45.4]	144,000 [42.2]	95	125,000 [36.6]
Tft175	31,000 [9.0]	175,000 [51.3]	163,000 [47.7]		141,000 [41.3]
Tft200	31,000 [9.0]	200,000 [58.6]	185,000 [54.1]		160,000 [46.9]
Tft250	31,000 [9.0]	250,000 [73.3]	230,000 [67.3]		199,000 [58.3]

**Performance Specifications**



NY Thermal Inc.

65 Drury Cove Road, Saint John, NB E2H 2Z8 Canada

Technical Service: 1-800-688-2575 Fax: 1-506-432-1135 Web: <http://www.nythermal.com>

NY Thermal Inc. reserves the right to change these specifications without notice

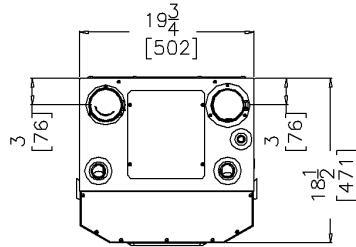


**Trinity Tft155-175-200-250  
High Efficiency Gas  
Modulating-Condensing Boiler**

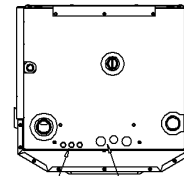
**Submittal Sheet**

**2 DIMENSIONS**

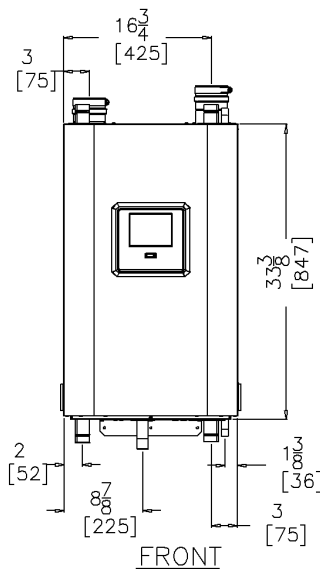
**Product Dimensions – in. [mm]**



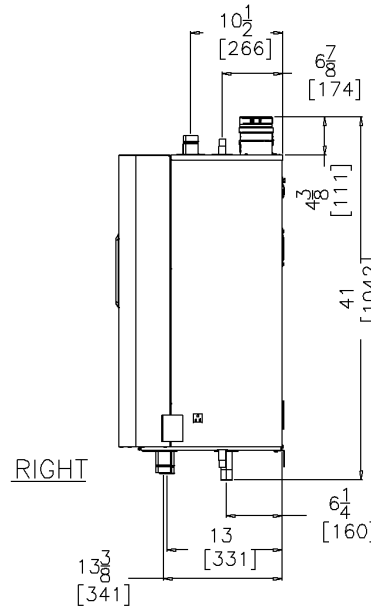
TOP



LOW VOLTAGE ELECTRICAL CONNECTIONS  
LINE VOLTAGE ELECTRICAL CONNECTIONS  
BOTTOM



FRONT



RIGHT

**Recommended Clearances – in. [mm]**

Front	Top	Sides	Back	Bottom	Flue Pipe
36 [914]	24 [610]	12 [305]	0	24 [610]	1 [25]



NY Thermal Inc.

65 Drury Cove Road, Saint John, NB E2H 2Z8 Canada

Technical Service: 1-800-688-2575 Fax: 1-506-432-1135 Web: [http:// www.nythermal.com](http://www.nythermal.com)

NY Thermal Inc. reserves the right to change these specifications without notice



# Trinity Tft155-175-200-250 High Efficiency Gas Modulating-Condensing Boiler

## Submittal Sheet

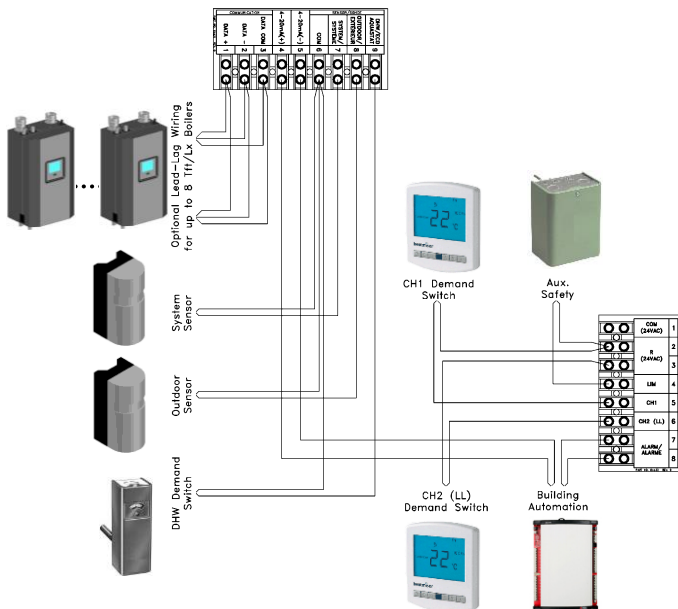
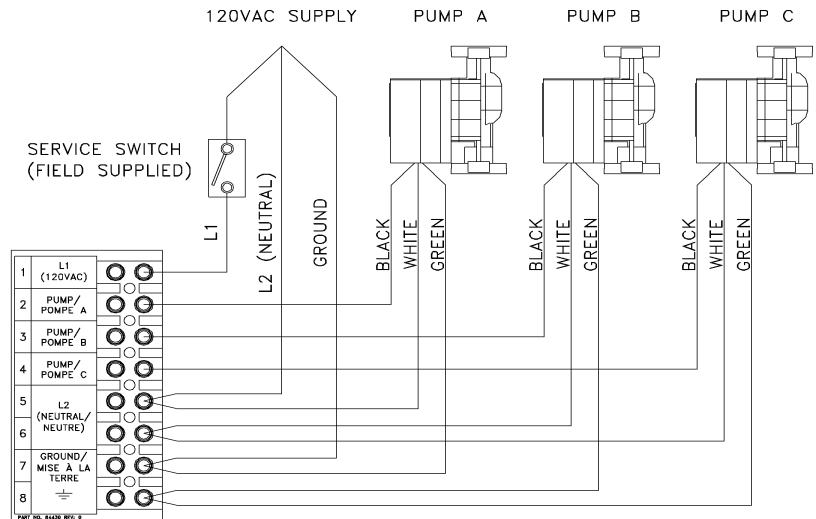
### 3 ELECTRICAL

#### Simplified Wiring Diagrams

##### Line Voltage Electrical:

- ▶ 120VAC / 60 Hz / 1 Phase / 12 Amp
- ▶ Barrier Strip for field wiring terminations
- ▶ 3 Pump outputs
  - Indirect Domestic Hot Water (Pump A)
  - Boiler (Pump B)
  - Central Heat (Pump C)

Note: Pumps are field supplied.



##### Low Voltage Electrical:

- ▶ Barrier Strip for field wiring terminations
- ▶ 120/24 VAC Transformer 40VA (factory supplied)
- ▶ Inputs
  - CH1 thermostat (by others)
  - CH2 thermostat (by others)
  - Indirect DHW aquastat (by others) or DHW Tank sensor (factory option)
  - External Limit (by others)
  - Outdoor sensor (factory supplied)
  - System sensor (factory option)
  - 4-20mA external modulating control (by others)
- ▶ Outputs
  - Alarm dry contact (24VAC 0.63A max.)
- ▶ EIA-485 Modbus communications for Lead-Lag
- ▶ EIA-485 Modbus to BMS gateways (not shown). Optional available gateways:
  - BACnet/N2- NTI part # 84946
  - LonWorks- NTI part # 84947



NY Thermal Inc.

65 Drury Cove Road, Saint John, NB E2H 2Z8 Canada

Technical Service: 1-800-688-2575 Fax: 1-506-432-1135 Web: <http://www.nythermal.com>

NY Thermal Inc. reserves the right to change these specifications without notice