



# Trinity Ti150 (ASME) Combi High Efficiency Gas Condensing Boiler

## Submittal Sheet

Section 1 - Specifications  
Section 2 - Dimensions  
Section 3 - Electrical

Project Name: \_\_\_\_\_ Date: \_\_\_\_\_  
 Location: \_\_\_\_\_  
 Engineer: \_\_\_\_\_  
 Contractor: \_\_\_\_\_ Rep: \_\_\_\_\_

### 1 SPECIFICATIONS

#### General Specifications

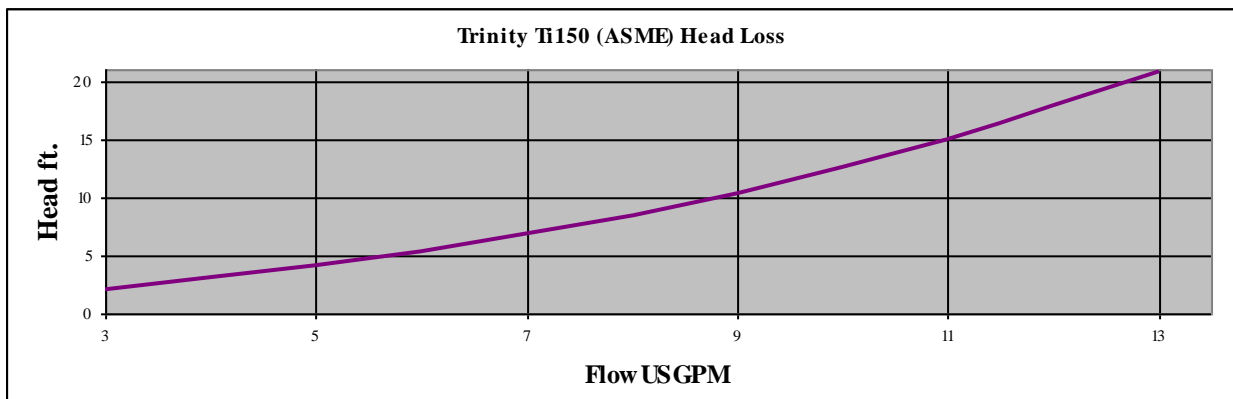
- ▶ Product Features
  - Certified to ANSI Z21.13 / CSA 4.9 indicating compliance with applicable ANSI/UL standards
  - “H” Stamped in compliance with ASME Section IV
  - Maximum operating pressure 145 psi [1000 kPa]
  - Field conversion from Natural Gas (factory) to Propane
  - Modulating burner, 5:1 turndown
  - Hot Surface Ignition
  - Wall or floor mounting (w/ optional floor stand)
  - Zero clearance to combustibles
- ▶ Optional sidewall vent kit (NTI part # 82666)
- ▶ Factory Supplied Items
  - 1 – 500ml bottle Fernox F1 Protector
  - 10K thermistor outdoor sensor
  - 30PSI ASME Relief Valve
  - 60PSI Pressure Gauge
  - Thermostatic Mixing Valve
  - Domestic Hot Water Flow Switch
- ▶ Control Features
  - Domestic Hot Water Priority
  - Outdoor reset

Water Connections NPT, in.	Gas Connection NPT, in.	Vent/Air-Intake Pipe Diameter in. [mm]	Vent/Air-Intake Max. Length, NG/LP ft. [m]	Approx. Weight with Water lb. [kg]
1	1/2	3 [76]	105 / 50 [32 / 15.2]	80 [36.3]

#### Heating Specifications

Input		Heating Capacity BTU/hr [kW]	AFUE %	Net I=B=R Rating BTU/hr [kW]
Min BTU/hr [kW]	Max BTU/hr [kW]			
25,000 [7.3]	150,000 [44.0]	136,000 [39.8]	93.5	118,000 [34.8]

#### Performance Specifications



NY Thermal Inc.

65 Drury Cove Road Saint John, NB E2H 2Z8 Canada

2013-05-27  
Rev.2

Technical Service: 1-800-688-2575 Fax: 1-506-432-1135 Web: <http://www.nythermal.com>

NY Thermal Inc. reserves the right to change these specifications without notice

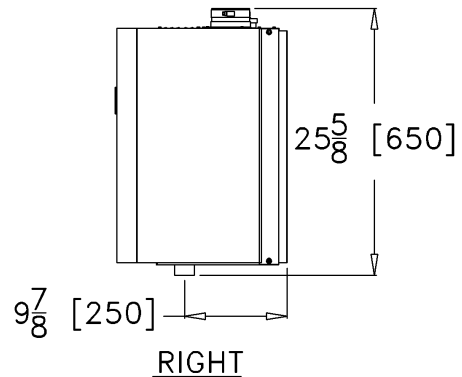
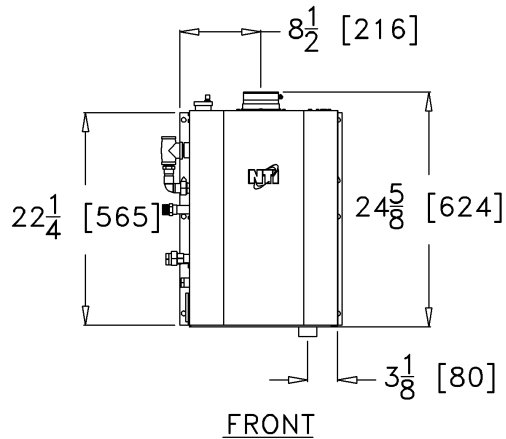
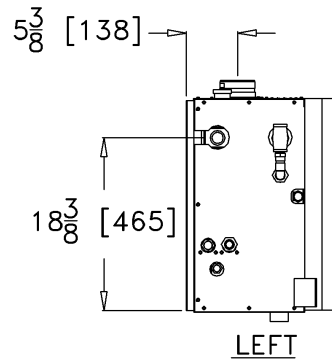
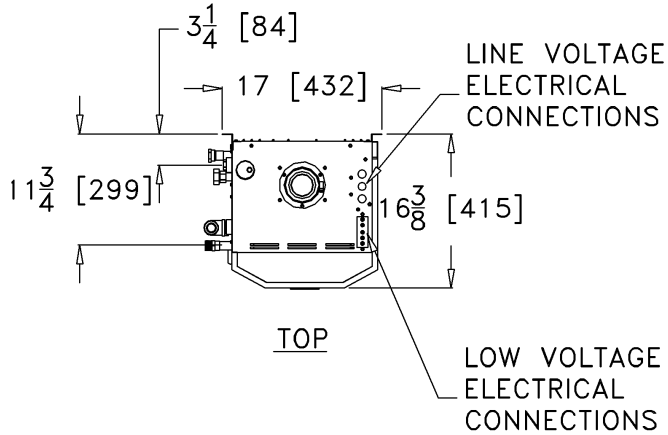


# Trinity Ti150 (ASME) Combi High Efficiency Gas Condensing Boiler

Submittal Sheet

## 2 DIMENSIONS

Product Dimensions – in. [mm]



Top	Front	Left	Right	Back	Bottom
24 [610]	24 [610]	24 [610]	24 [610]	0	9 [229]



NY Thermal Inc.

65 Drury Cove Road Saint John, NB E2H 2Z8 Canada

Technical Service: 1-800-688-2575 Fax: 1-506-432-1135 Web: [http:// www.nythermal.com](http://www.nythermal.com)

NY Thermal Inc. reserves the right to change these specifications without notice



# Trinity Ti150 (ASME) Combi High Efficiency Gas Condensing Boiler

## Submittal Sheet

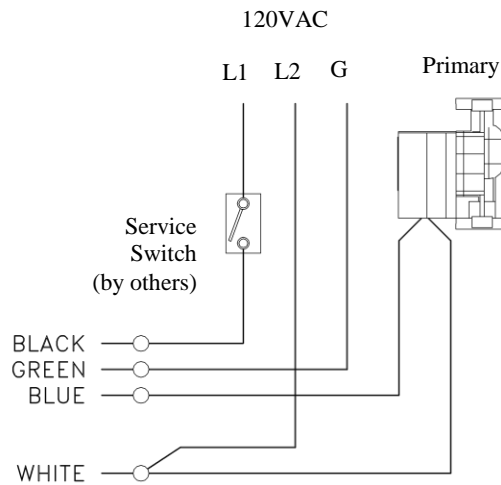
### 3 ELECTRICAL

#### Simplified Wiring Diagrams

##### Line Voltage Electrical:

- ▶ 120VAC / 60 Hz / 1 Phase / 12 Amp
- ▶ 1 Pump output
  - Primary circulator

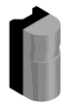
Note: Pumps are field supplied.



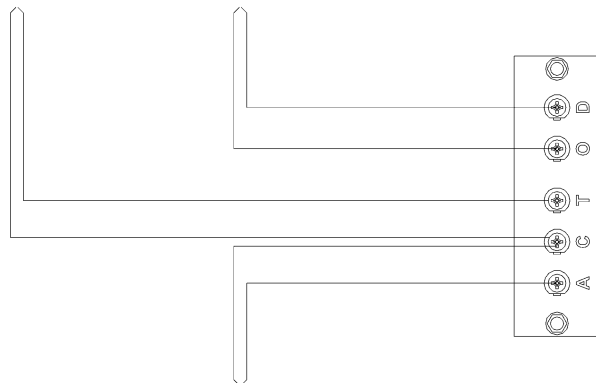
○ = WIRE NUT



Thermostat



OD Sensor



Flow Switch



##### Low Voltage Electrical:

- ▶ Barrier Strip for field wiring terminations
- ▶ Inputs
  - Thermostat (by others)
  - Outdoor sensor (factory supplied)
  - Flow Switch (factory supplied)



NY Thermal Inc.

65 Drury Cove Road Saint John, NB E2H 2Z8 Canada

Technical Service: 1-800-688-2575 Fax: 1-506-432-1135 Web: [http:// www.nythermal.com](http://www.nythermal.com)

NY Thermal Inc. reserves the right to change these specifications without notice