



This portion of the manual covers the following models:

- **RZ250W (Requires Z955W)**

Congratulations on purchasing a PRO1 Wireless Zoning System.

This remote sensor was designed to the highest reliability and ease of use standards. Thank you for choosing Pro1.

| Table of Contents | Page |
|-------------------------------|------|
| Quick Reference | 2 |
| Establishing Communication | 3 |
| Installation Tips | 4 |
| Specifications & Contact Info | 5 |



Caution:

Equipment damage hazard

Do not operate the cooling system if the outdoor temperature is below 50° F (10° C) to prevent possible compressor damage.

A trained, experienced technician must install this product.

Carefully read these instructions. You could damage this product or cause a hazardous condition if you fail to follow these instructions.

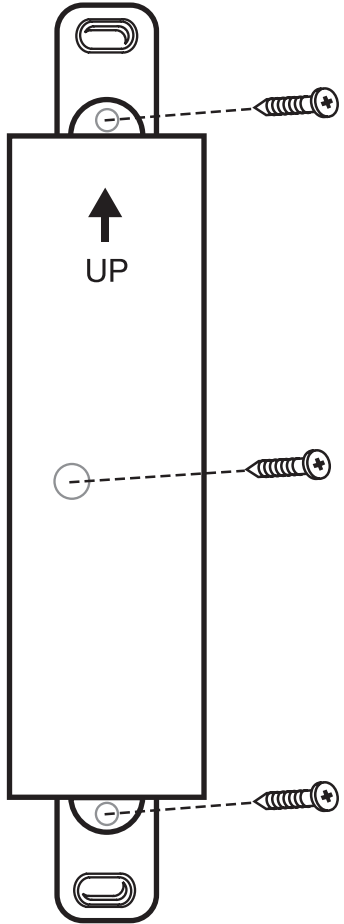
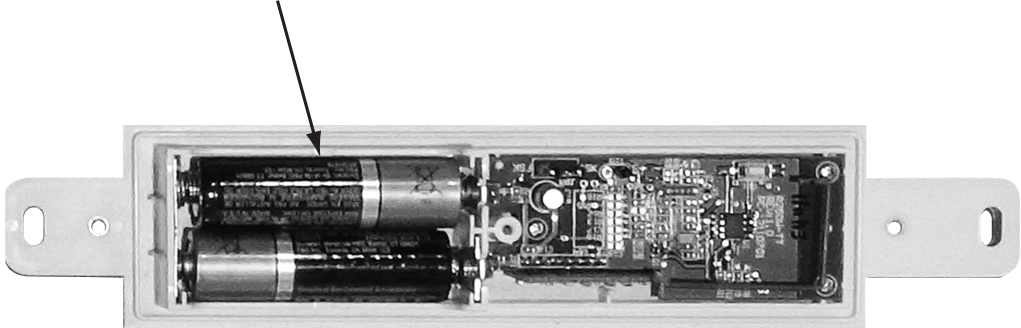
Need Help?

For assistance with this product please visit <http://www.pro1iaq.com> or call Pro1 Customer Care toll-free at 888-Pro1iaq (776-1427) during normal business hours (Mon-Fri 9 AM - 6 PM Eastern)

Una versión española de este manual puede ser descargada en www.pro1iaq.com

Installing Batteries

To install 2 AA batteries remove the three screws shown in the diagram. One in the middle of the inside cover box, and two on either side of the cover box.



Note about low batteries:
When the outdoor battery needs to be changed the **Z955W Master Thermostat** will flash **LOW BAT OUTDOOR** as seen on the left.

PRO1 TIP

and this **RZ250W**

Before putting the inside cover back on, proceed to the next page to establish a connection between the **Z955W Master Thermostat**

Remember

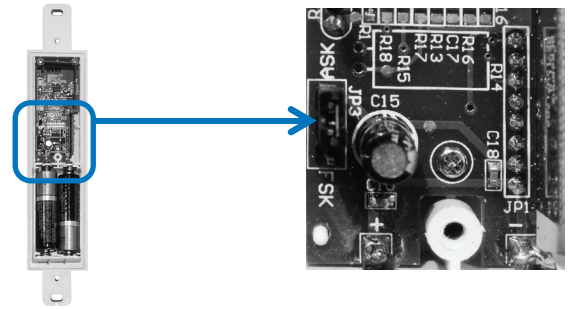
The PRO1 Wireless Zoning System contains selectable wireless communication. Each component has a jumper switch label FSK and ASK. Default setting: FSK.

All components must be set to the same position for wireless communication.

(*ASK is required to connect to a T955W or T955WH.)

Inside of RZ250W

FSK/ ASK Switch



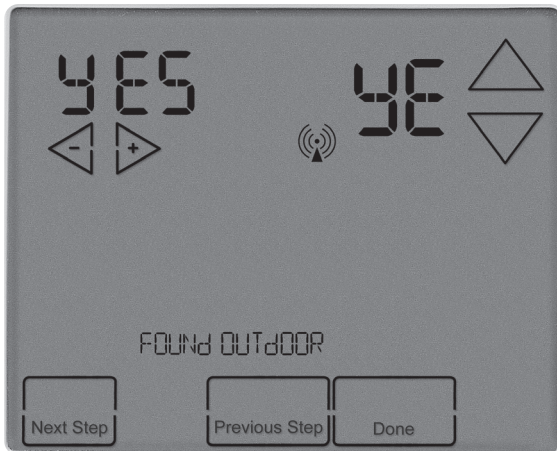
Connecting to the Master Thermostat

Easy, two step communication link set up.

1. The **Z955W** Master Thermostat Tech setting for the outdoor remote sensor must be set to **YES**. See the **Z955W** manual for instructions.
2. While the **Z955W** is on the **Outdoor Sensor** screen hold down the connection button on the inside of the **Outdoor Remote** until the **Z955W** shows the letters **YE** and says **Found Outdoor**.



Connection button located inside the **RZ250W**



Example Step 2.

The Z955W, T955W, & T955WH Found Outdoor Screen.

Important:

DO NOT press the connection button again after Step 2 above has been completed. Pressing the button a second time will break the communication link and the connection steps will have to be repeated.

PRO1 TIP

For installations where the temperature will be frequently below freezing, battery life may be much better with 2 AA lithium batteries.

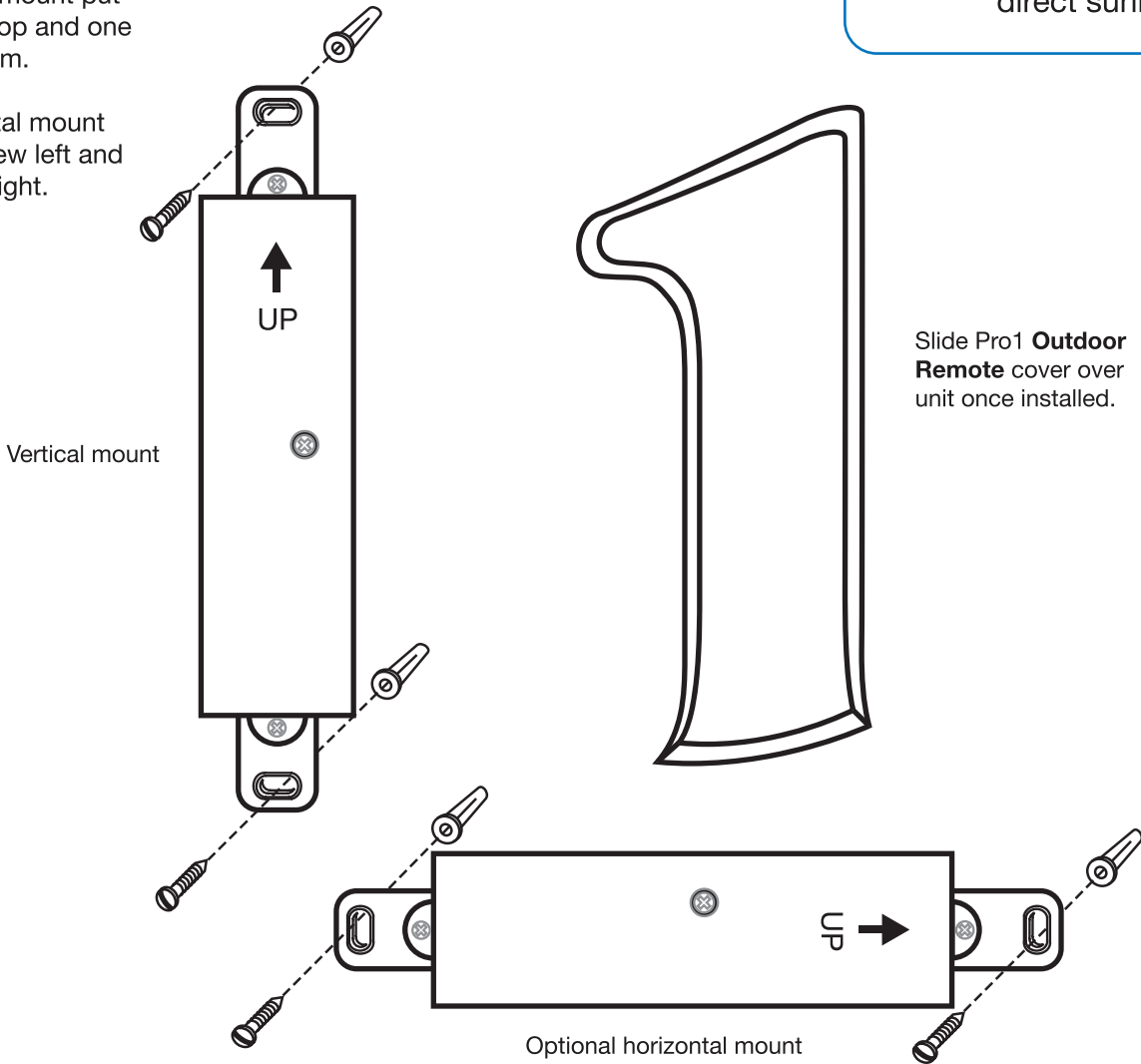
Wireless Range

Range between the RZ250W and the Z955W master thermostat is approximately 100 feet with no obstructions and approximately 50 feet in standard residential metal, brick, and concrete construction.

Mounting the Outdoor Remote Sensor

For vertical mount put one screw top and one screw bottom.

For horizontal mount put one screw left and one screw right.



 **Important:**
Do not install in direct sunlight.

Specifications

| | |
|----------------------------|---|
| Temperature Range | -4° to 140°F (-20° to 60°C) |
| Temperature accuracy | ± 1°F |
| Power source | Battery Power from 2 AA 1.5 V Batteries |
| Transmission | Every 5 minutes |
| Frequency | 916 MHz |

Contact Us

Pro1 IAQ Inc.

1111 S. Glenstone
Suite 2-100
Springfield, MO 65804

Toll-free: 1-888-Pro1iaq (776-1427)

Toll Number (Outside the USA): 330-821-3600

Web: <http://www.pro1iaq.com>

Hours of Operation: Monday - Friday 9 AM - 6 PM Eastern