

COMMERCIAL COLD WATER START

CATALOG NO. 9300.83
Effective: 11-05-12
Replaces: 02-15-12

RAYPAK ILLUSTRATED PARTS LIST

MODEL SIZE: HI DELTA, MVB & RAYTHERM
MODEL TYPE: H & WH

DATE OF MANUFACTURE: 2006 THROUGH CURRENT

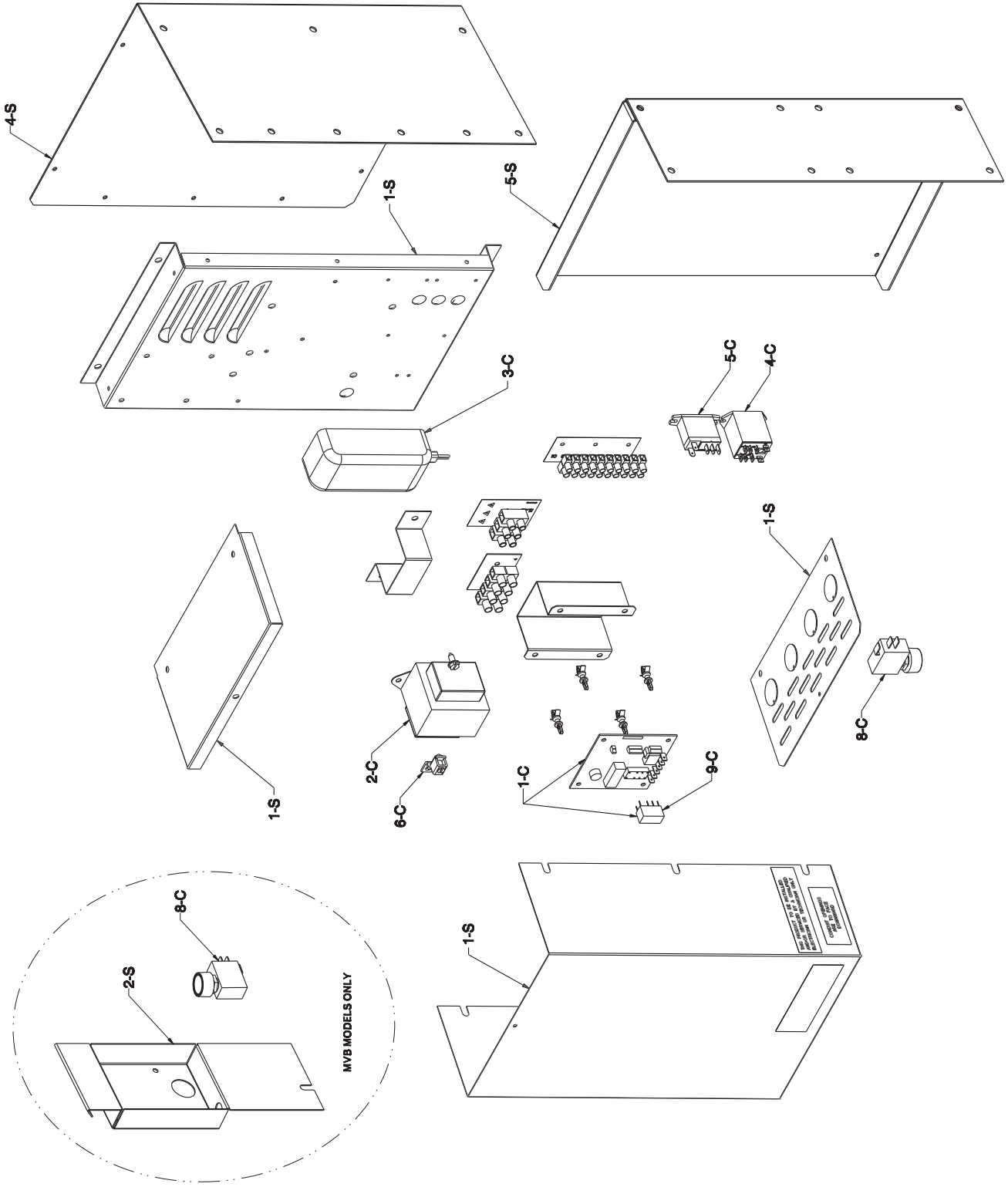
THE PARTS LISTED ARE FOR STANDARD EQUIPMENT FOR THIS MODEL TYPE. RAYPAK RESERVES THE RIGHT TO SUBSTITUTE, DELETE OR CHANGE ANY PART WITHOUT NOTIFICATION. THE ADDITION OF OPTIONS MAY ALSO CHANGE SOME OF THE PARTS. ORDER REPLACEMENT PARTS FROM ACTUAL HEATER COMPONENTS.



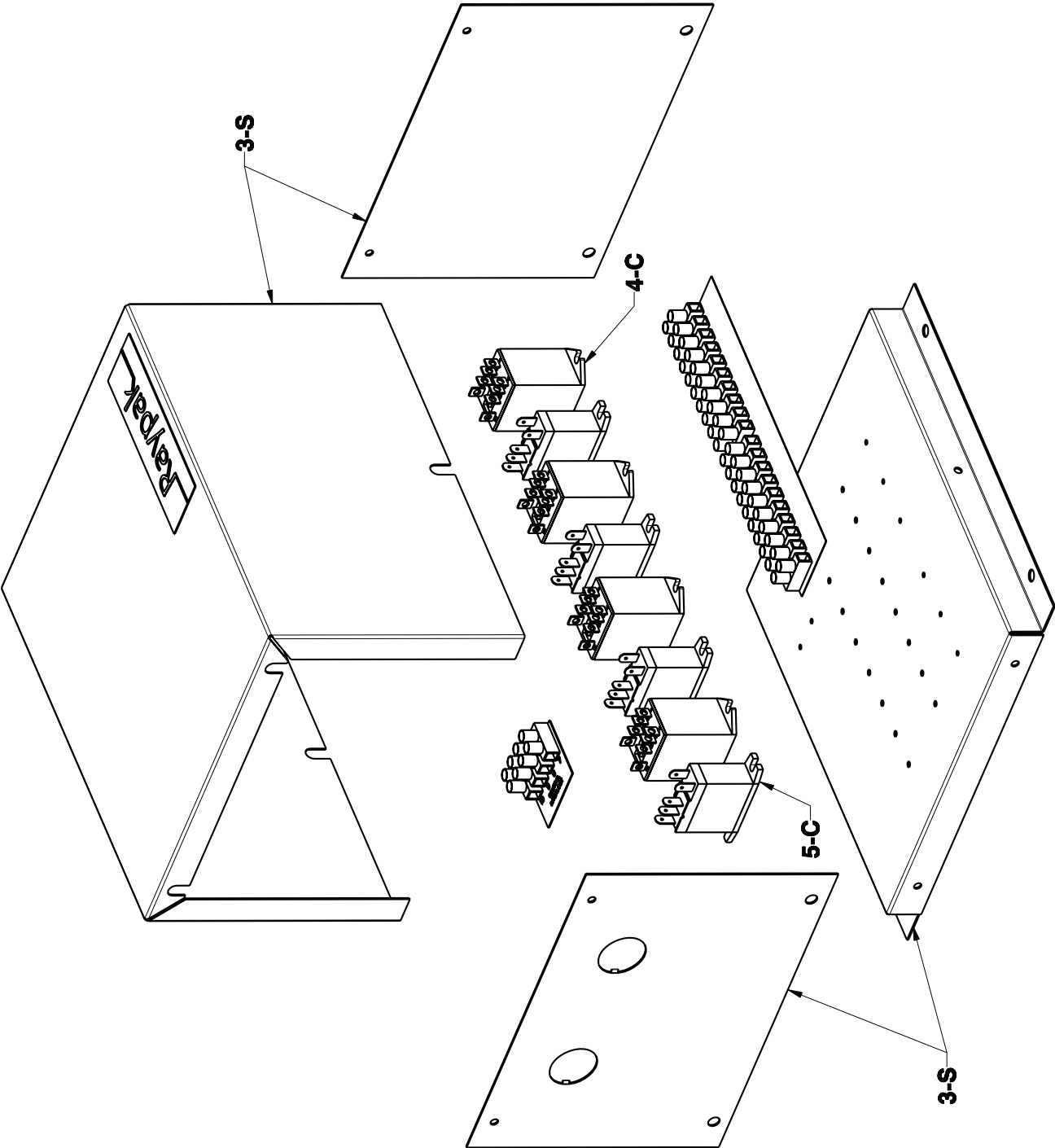
FOR DETAILED INSTRUCTIONS, SEE "HOW TO USE YOUR RAYPAK ILLUSTRATED PARTS LIST",
CATALOG NO. 9001.10



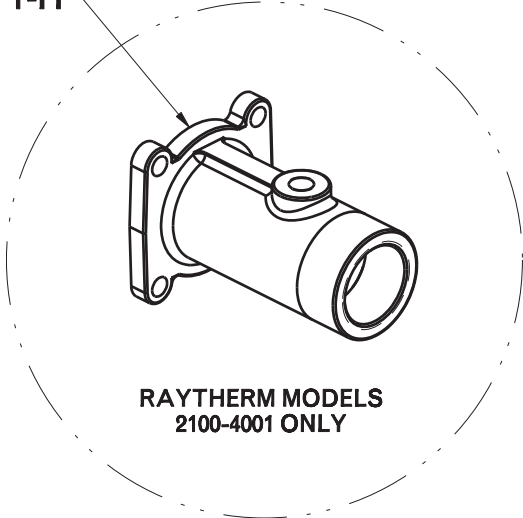
Raypak, Inc., 2151 Eastman Avenue, Oxnard, CA 93030
(805) 278-5300 Fax (800) 872-9725
Litho In U.S.A.



Multiple Boiler Interlock

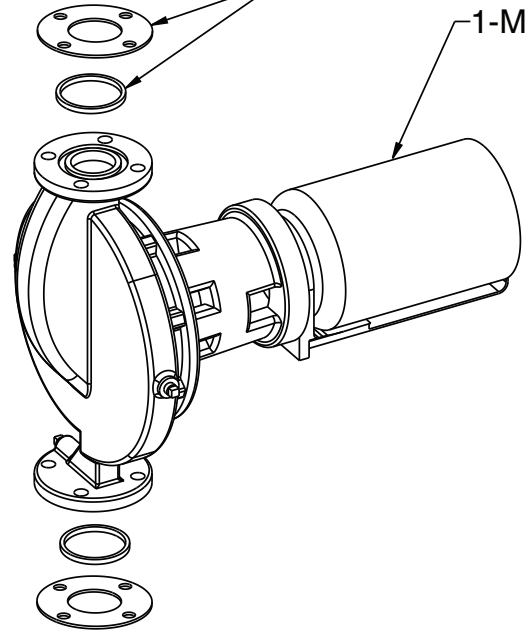


1-H



8-M

1-M



2-M

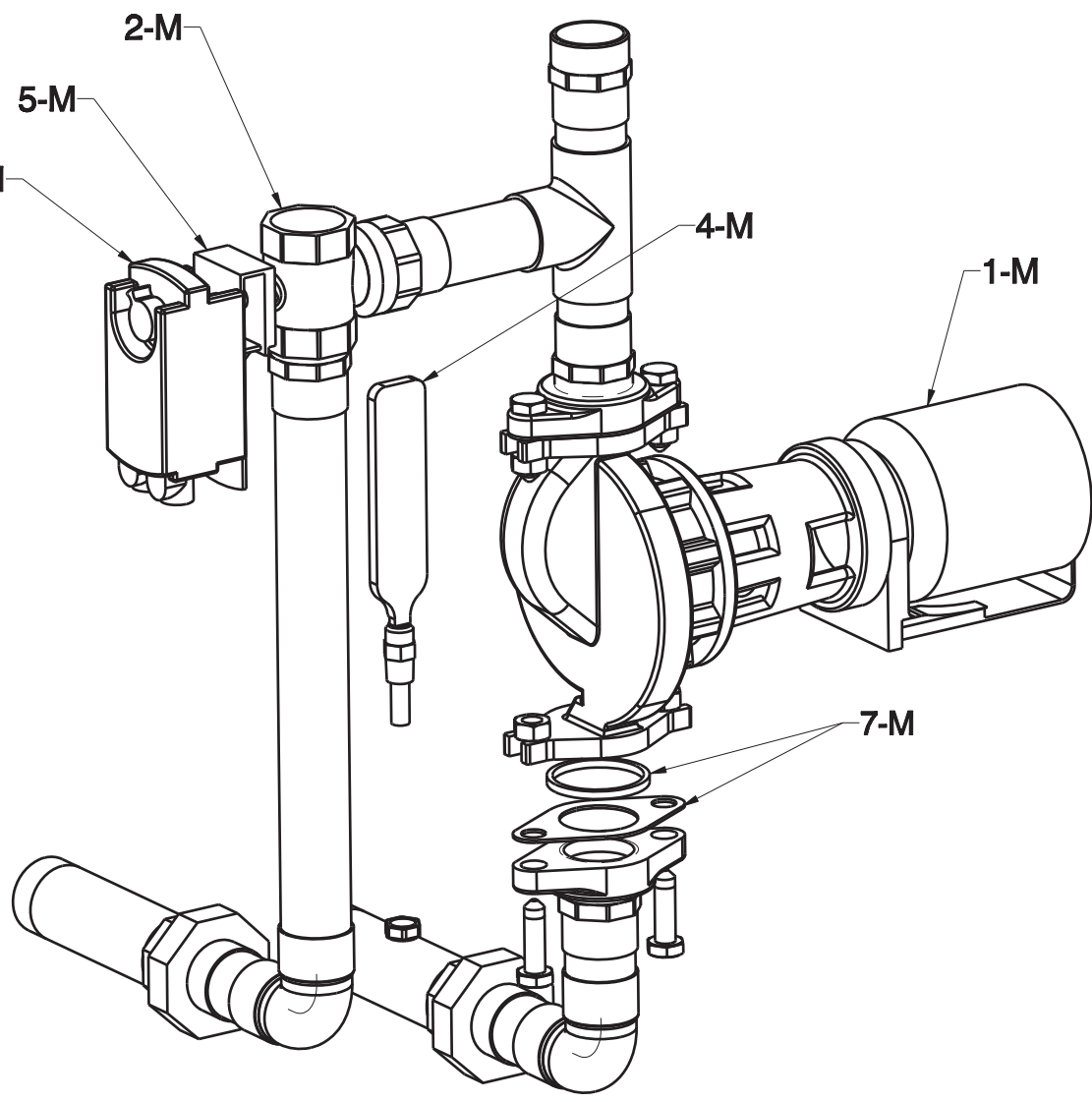
5-M

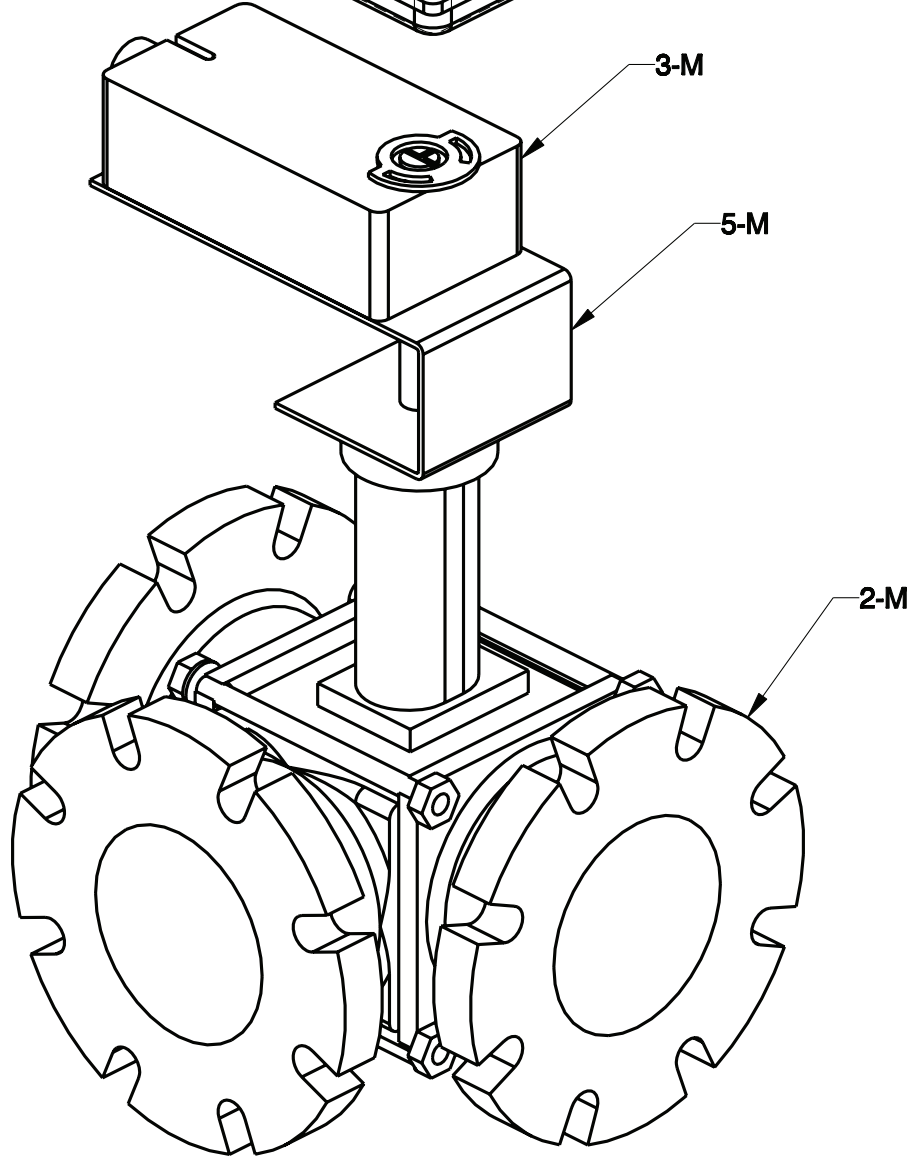
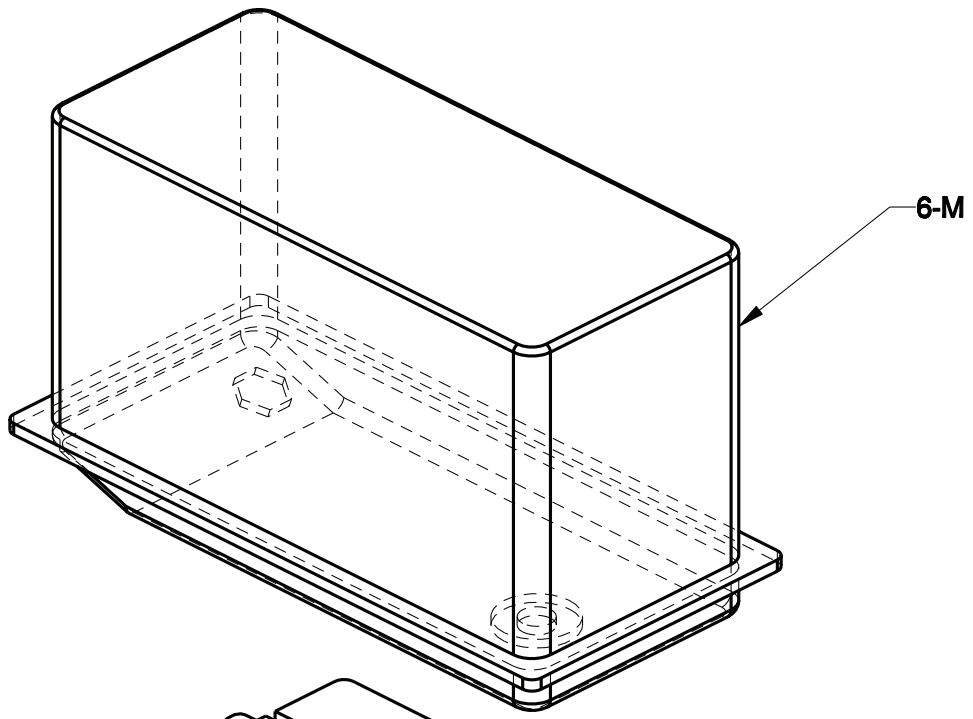
3-M

4-M

1-M

7-M





CALL OUT	DESCRIPTION	HI DELTA	MVB	RAYTHERM
1-C	PC Board Assy-Control	011717F	011717F	011717F
9-C	Relay - DPDT 24VDC Coil	005962F	005962F	005962F
2-C	Transformer	011718F	011718F	011718F
3-C	Power Supply 120VAC/12VDC	011719F	011719F	011719F
4-C	Relay - DPDT 24V	011720F	011720F	011720F
5-C	Relay - SPDT 24V	009039F	009039F	009039F
6-C	Ground Lug	007155F	007155F	007155F
7-C	Temperature Sensor 10K (Not Shown)	010787F	010787F	010787F
8-C	Alarm Reset Switch	005641F	005641F	005641F
1-H	Inlet Adapter 2-1/2 NPT	N/A	N/A	012315F
1-M	Water Pump			
	BR 2" Flange, 1/4 HP	007226F	007226F	007226F
	CI 2" Flange 1/4 HP	007232F	007232F	007232F
	BR 2" Flange 1/2 HP	N/A	007347F	007347F
	CI 2" Flange 1/2 HP	N/A	007353F	007353F
	BR 2-1/2" Flange 3/4 HP	007348F	007348F	007348F
	CI 2-1/2" Flange 3/4 HP	007354F	007354F	007354F
	BR 2-1/2" Flange 1 HP	007348F	007348F	007348F
	CI 2-1/2" Flange 1 HP	007354F	007354F	007354F
	BR 2-1/2" Flange 1.5 HP (4 Bolt Flange)	N/A	007937F	007937F
	CI 2-1/2" Flange 1.5 HP (4 Bolt Flange)	N/A	007938F	007938F
	BR 2-1/2" Flange 2 HP (4 Bolt Flange)	N/A	N/A	012317F
	CI 2-1/2" Flange 2 HP (4 Bolt Flange)	N/A	N/A	012318F
7-M	Pump Flange Gasket (2 Bolt Flange)	013423F	013423F	013423F
8-M	Pump Flange Gasket (4 Bolt Flange)	N/A	014000F	014000F
2-M	Three-Way Valve Assy			
	2" NPT 24 Cv	011939F	011939F	011939F
	2" NPT 38 Cv	011721F	011721F	011721F
	2" NPT 57 Cv	011722F	011722F	011722F
	2-1/2" NPT 74 Cv	011723F	011723F	011723F
	2-1/2" NPT 100 Cv	011724F	011724F	011724F
	4" NPT 152 Cv	012231	012231	012231
	4" NPT 254 Cv	012232	012232	012232
	4" NPT 327 Cv	012233	012233	012233
3-M	Actuator			
	35 In Lbs (Elodrive)	014012F	014012F	014012F
	53 In Lbs (Delta/Bray Controls)	013995F	013995F	013995F
	62 In Lbs (Delta/Bray Controls)	013995F	013995F	013995F
	132 In Lbs (Elodrive)	N/A	N/A	N/A
	180 In Lbs (Delta/Bray Controls)	014046F	014046F	014046F
4-M	Thermometer Vertical	000919	N/A	000919
5-M	Mounting Kit			
	Elodrive	014012F	014012F	014012F
	Delta/Bray Controls	013979F	013979F	013979F
	4" Valve (Elodrive)	N/A	N/A	N/A
	4" Valve (Delta/Bray Controls)	014016F	014016F	014016F
6-M	Actuator Cover (Delta/Bray Controls Only)	011904F	011904F	011904F
	Actuator Cover 4" (Delta/Bray Controls Only)	012455F	012455F	012455F
1-S	Control Box Sheet Metal	011716F	011716F	011716F
2-S	Control Box Cover	N/A	011978F	N/A
3-S	Interlock Box Sheet Metal	012249F	012249F	012249F
4-S	Control Box Mtg Bracket	N/A	N/A	N/A
5-S	Control Box Mtg Bracket	013637F	N/A	013637F

NOTE: Sizing is specific to the application.



www.raypak.com