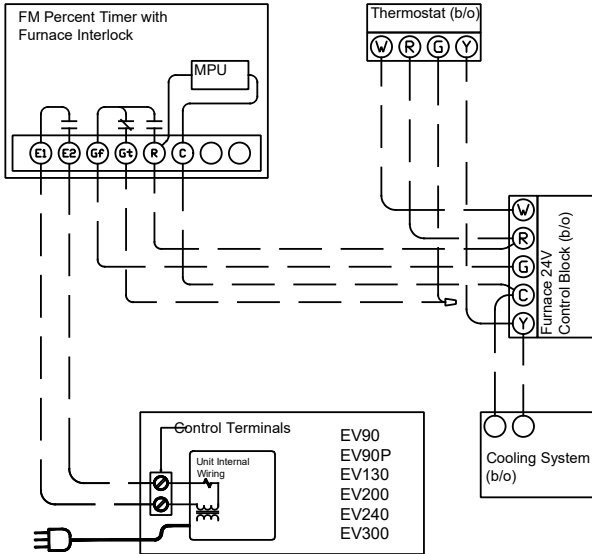


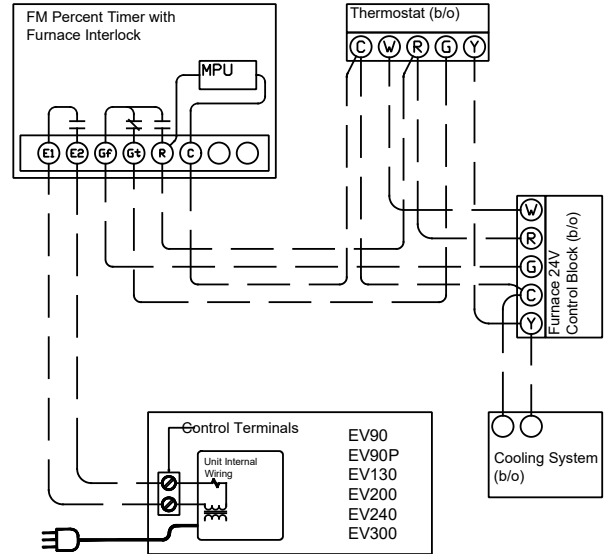
Wiring Schematics

OPTION 1: Wire FM to Furnace and to Energy-Recovery Ventilator.



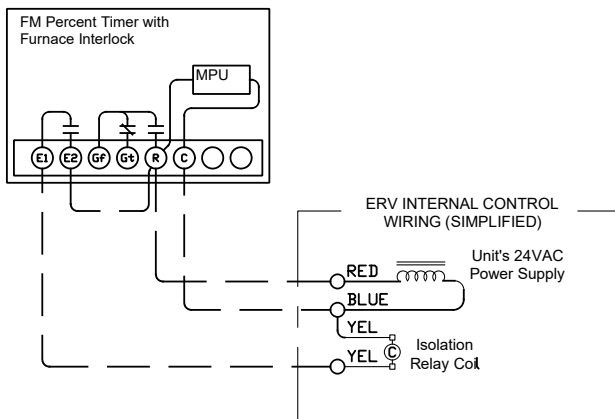
This schematic applies to EV90, EV90P, EV130, EV200, EV240 and EV300 models.

OPTION 2: Wire FM to Thermostat and to Energy-Recovery Ventilator.



This schematic applies to EV90, EV90P, EV130, EV200, EV240 and EV300 models.

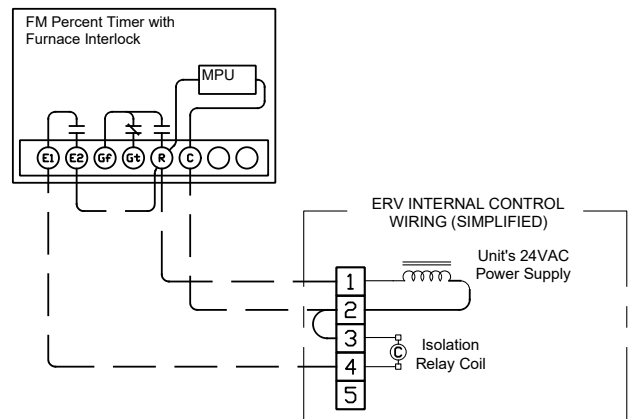
OPTION 3: FM controls RenewAire HE-series commercial ERV with on-board 24VAC power (Pigtail connections).



The Normally Open contacts of one or more additional Low Voltage Controls may be connected to ERV unit in parallel with the FM. Do not apply power to these leads.

This schematic applies to all EV450 models and to HE1XIN models (excludes ECM models).

OPTION 4: FM controls RenewAire HE-series commercial ERV with on-board 24VAC power (Terminal strip connections).



The Normally Open contacts of one or more additional Low Voltage Controls may be connected to ERV unit's Terminals 1 & 4. Do not apply power to these terminals.

This schematic applies to HE1XRT models and to all HE2X through HE8X models (excludes ECM and VFD models).