

Parts List



File No.

Air Conditioner

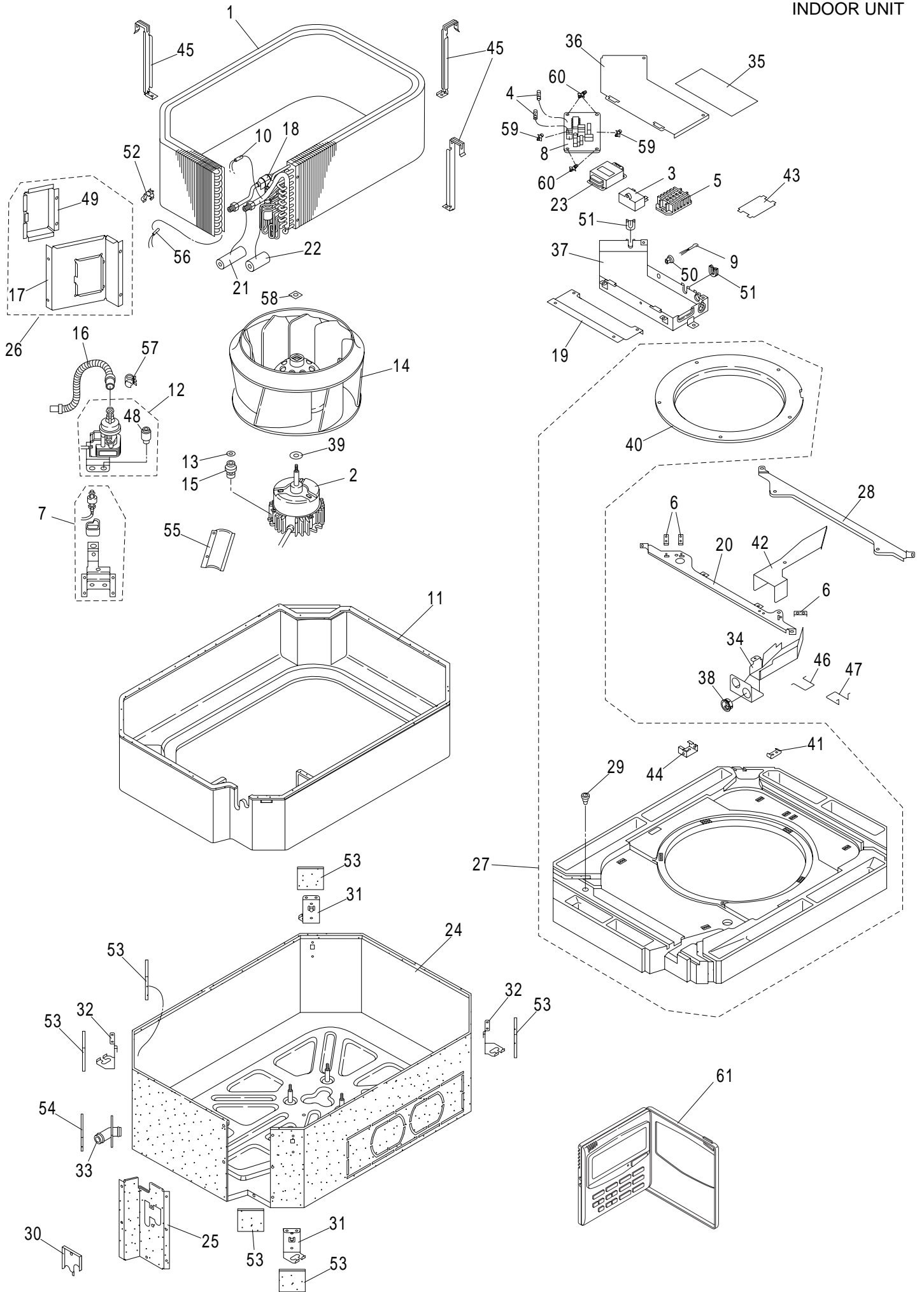
INDOOR UNIT
XHW3672R

Made in Japan

Model No.	Prod.Code	Volt-Phase-Hertz
XHW3672R	1 854 033 43	208-230-1-60

REFERENCE No.PL 833894

XHW3672R
INDOOR UNIT



ATTENTION !

To ensure correct parts supply, please let us know followings,
when you make service parts order:

1.Part No. 2.Description 3.Q'ty 4.Volts-Hz-Ph 5.Product Model No.

XHW3672R
INDOOR UNIT

Key No.	Part No.	Description	Q'ty	Reference No.
* 1	623 301 0854	Heat Exch Ass'y	1	854-0-4124-58400
* 2	623 191 6882	Fan Motor Ass'y SFG6X-81A6P	1	854-0-5202-31500
* 3	623 115 9661	Fixed Capacitor CMPS UP44B605JMF	1	4-2239-56679
* 4	623 191 6783	Fuse MT3 5A	2	1FJ-4-S3A0-03900
* 5	638 016 3441	Terminal Base UKT50-3+15S-2J(A	1	1FJ-4-J3A0-06800
6	638 019 7965	Mounting Plate	3	854-2-2361-58301
* 7	623 191 6776	Switch Ass'y FS-0218-102	1	854-0-5152-03600
* 8	623 192 1572	Circuit Board Ass'y CR-TH2672	1	854-9-9536-05306
* 9	623 160 8251	Thermistor Ass'y KTEC-35-S6	1	854-0-5259-52800
* 10	623 160 8442	Thermistor Ass'y PBC-41E-S14	1	854-0-5259-52400
11	623 159 2710	Cabinet Ass'y	1	854-0-1104-33000
* 12	623 191 6806	Drain Pump Ass'y PJV-1428AU	1	854-0-5264-04300
13	623 093 6508	Washer	3	3-9021-03100
* 14	638 020 0320	Fan Ass'y	1	854-0-2501-24300
15	638 019 7651	Cushion Rubber	3	854-2-2534-17800
16	638 019 7668	Drain Hose	1	854-2-4297-14700
17	638 020 0405	Mounting Plate	1	854-2-4134-66500
18	623 070 9300	Strainer Ass'y	1	854-0-4522-10400
19	638 020 0436	Mounting Plate	1	854-2-2361-51401
20	623 191 6837	Mounting Plate, Drain Pan	1	854-2-2333-221H2
21	623 160 8206	Insulation Special	1	854-2-2411-24110
22	623 160 8213	Insulation Special	1	854-2-2411-24020
* 23	623 191 6820	Transformer Ass'y ATR-IIK224A	1	854-0-5263-19000
24	623 191 6899	Cover Ass'y, Evaporator	1	854-0-2317-170H2
25	623 191 6912	Cabinet Plate	1	854-2-1105-299H2
26	623 190 7040	Mounting Plate	1	854-2-4134-665H1
* 27	623 191 6905	Drain Pan Ass'y	1	854-0-2301-516H2
28	638 019 7712	Mounting Plate, Drain Pan	1	854-2-2333-22001
29	623 101 9132	Cap Rubber	1	854-2-4109-10200
30	623 191 6844	Mounting Plate	1	854-2-2361-512H2
31	638 019 7736	Mounting Parts Ass'y	2	854-0-1111-20301
32	638 019 7743	Mounting Parts Ass'y	2	854-0-1111-20401
33	638 014 8165	Joint Drain	1	854-2-2334-17310
34	623 160 8473	Support Wire	1	854-2-5319-11201
35	623 301 0847	Elec. Wiring Diagram	1	8FA-2-5250-15200
36	638 019 7767	Cover, Elec. Component Box	1	854-2-5304-50801
37	623 160 8138	Elec Component Box Ass'y	1	854-0-5301-80300
38	623 038 3425	Bushing OCB-875	1	851-2-5370-00900
39	623 126 3856	Washer Special	1	854-2-1355-15201
40	623 160 8145	Nozzle	1	854-2-2519-14310
41	638 019 7958	Mounting Plate	1	854-2-2361-51101
42	623 160 8480	Cover Terminal	1	854-2-5305-15101
43	623 184 7209	Cover UKT50-3+15S-2D	1	854-2-5376-00800
44	638 019 7941	Mounting Plate	1	854-2-2361-51001
45	638 020 0474	Support, Evaporator	3	854-2-2232-23500
46	638 019 7859	Guide	1	854-2-2352-15600
47	638 019 7866	Guide	1	854-2-2352-15700
48	638 004 9523	Cushion Rubber	3	854-2-2318-13800
49	638 020 0375	Cover Plate	1	854-2-2342-69600
50	623 027 4990	Bushing	1	800-2-5337-17900

NOTE: Metal and plastic parts will be supplied basically with necessary heat insulation pads or packing. Each key number with an asterisk (*) means the recommended service parts.

ATTENTION !

To ensure correct parts supply, please let us know followings,
when you make service parts order:

1.Part No. 2.Description 3.Q'ty 4.Volts-Hz-Ph 5.Product Model No.

XHW3672R
INDOOR UNIT

Key No.	Part No.	Description	Q'ty	Reference No.
51	623 016 2938	Eyelet	2	733-2-4425-12200
52	638 006 5462	Mounting Plate	1	854-2-4140-10201
53	623 160 8237	Packing	6	854-2-1361-79110
54	623 160 8244	Packing	1	854-2-1361-80610
55	638 019 7934	Cover Plate	1	854-2-2342-69300
* 56	623 160 8435	Thermistor Ass'y PB3M-41E-S4	1	854-0-5259-52500
57	623 077 2205	Clip	1	854-2-2315-10301
58	623 126 2866	Square Washer	1	854-2-2328-10401
59	623 099 6052	Spacer SPSN-6	2	851-2-5366-04200
60	623 097 1677	Spacer SPLSN-6	4	851-2-5366-03800
* 61	623 301 0786	Remote Control Switch RCS-TM80BG	1	8FA-0-0051-08200

NOTE: Metal and plastic parts will be supplied basically
with necessary heat insulation pads or packing.
Each key number with an asterisk (*) means the
recommended service parts.

For Parts or Service Contact
SANYO HVAC SERVICE CENTER
SANYO Fisher Service Company
1165 Allgood Road, Suite 22, Marietta, GA 30062 U.S.A.
300 Applewood Crescent, Concord, Ontario, L4K 5C7, CANADA
2/07 Printed in Japan