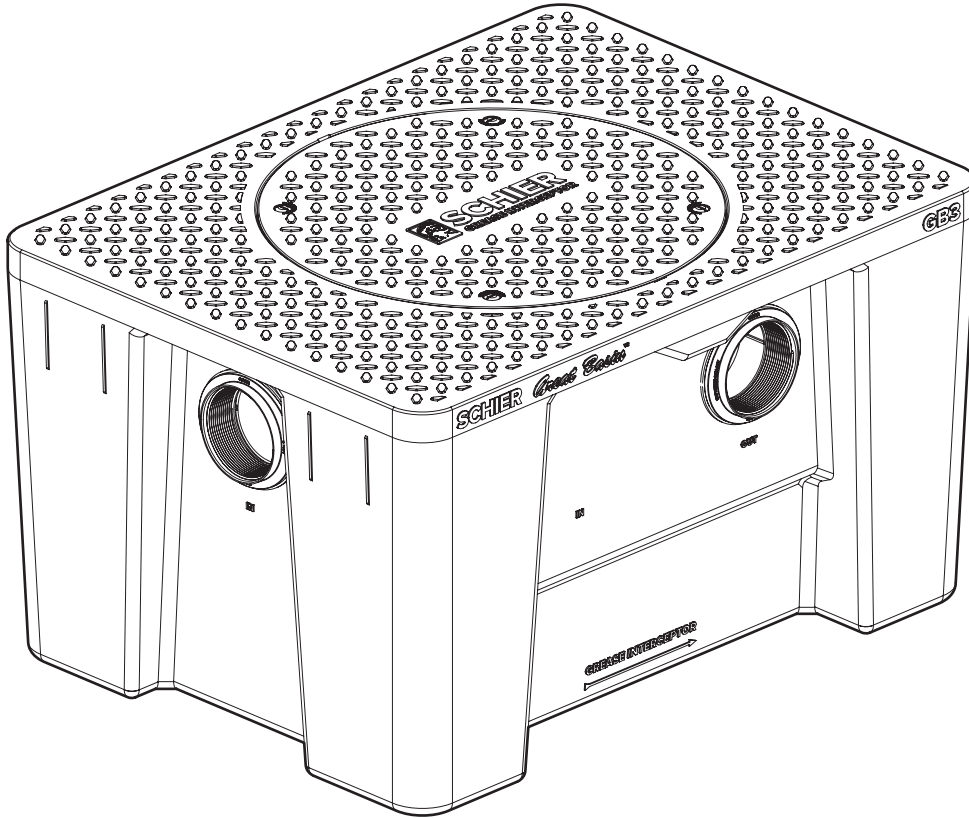

INSTALLATION GUIDE

Model #GB3 50/75 GPM Grease Interceptor
For Indoor Use



Contents

Special Precautions	2
Getting to Know the GB3	3
On the Floor Installation	4-6
Buried Installation	7-9
Pipe Test Procedure	10



SCHIER
LIFETIME GUARANTEED
GREASE INTERCEPTORS

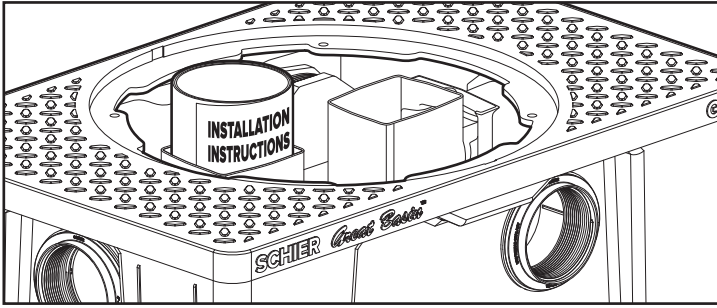


SPECIAL PRECAUTIONS

For All Schier Great Basin™ Grease Interceptor Installations

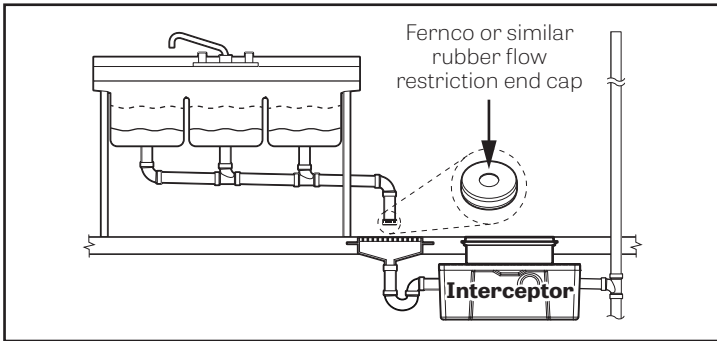
Installation Instructions

Installation instructions and additional components are located inside the interceptor. Read all instructions prior to installation. This interceptor is intended to be installed by a licensed plumber in conformance with all local codes.



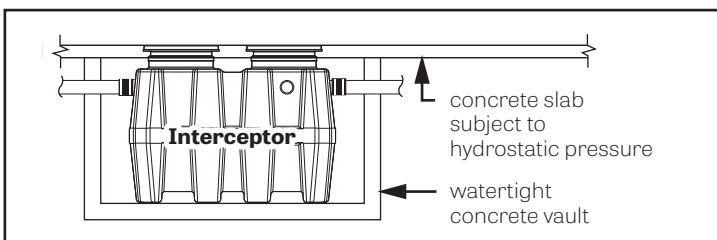
When Installing Interceptor Inside

If your dishwashing sink(s) discharges into a floor drain/sink (drain), you must regulate the flow into the drain to avoid an overflow of water onto the kitchen floor. This can be done by installing a valve or flow restriction cap on the sink piping that discharges into the drain. See drawing below for guidance. For detailed guidance on indirect connections, go to: http://webtools.schierproducts.com/Technical_Data/Indirect_Connections.pdf



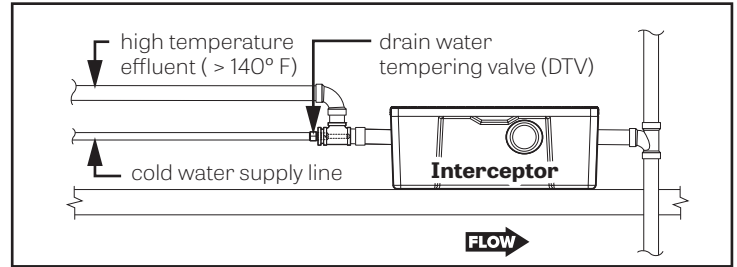
Hydrostatic Slabs (or Pressure Slabs)

When installed under a hydrostatic slab (slab designed to withstand upward lift, usually caused by hydrostatic pressure) interceptor must be enclosed in a watertight concrete vault. Failure to follow this guidance voids your warranty.



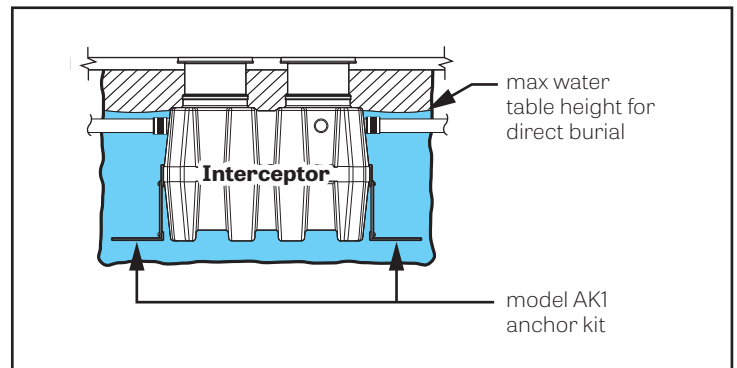
High Temperature Kitchen Water

If water is entering the interceptor at excessive temperature (over 140° F), a drain water tempering valve (DTV) must be installed. Most state and local plumbing codes prohibit water above 140° F being discharged into the sanitary sewer. Water above 140° F will weaken or deform PVC Schedule 40 pipe, poly drainage fixtures like interceptors and erode the coating of cast iron (leading to eventual failure). Failure to follow this guidance voids your warranty.

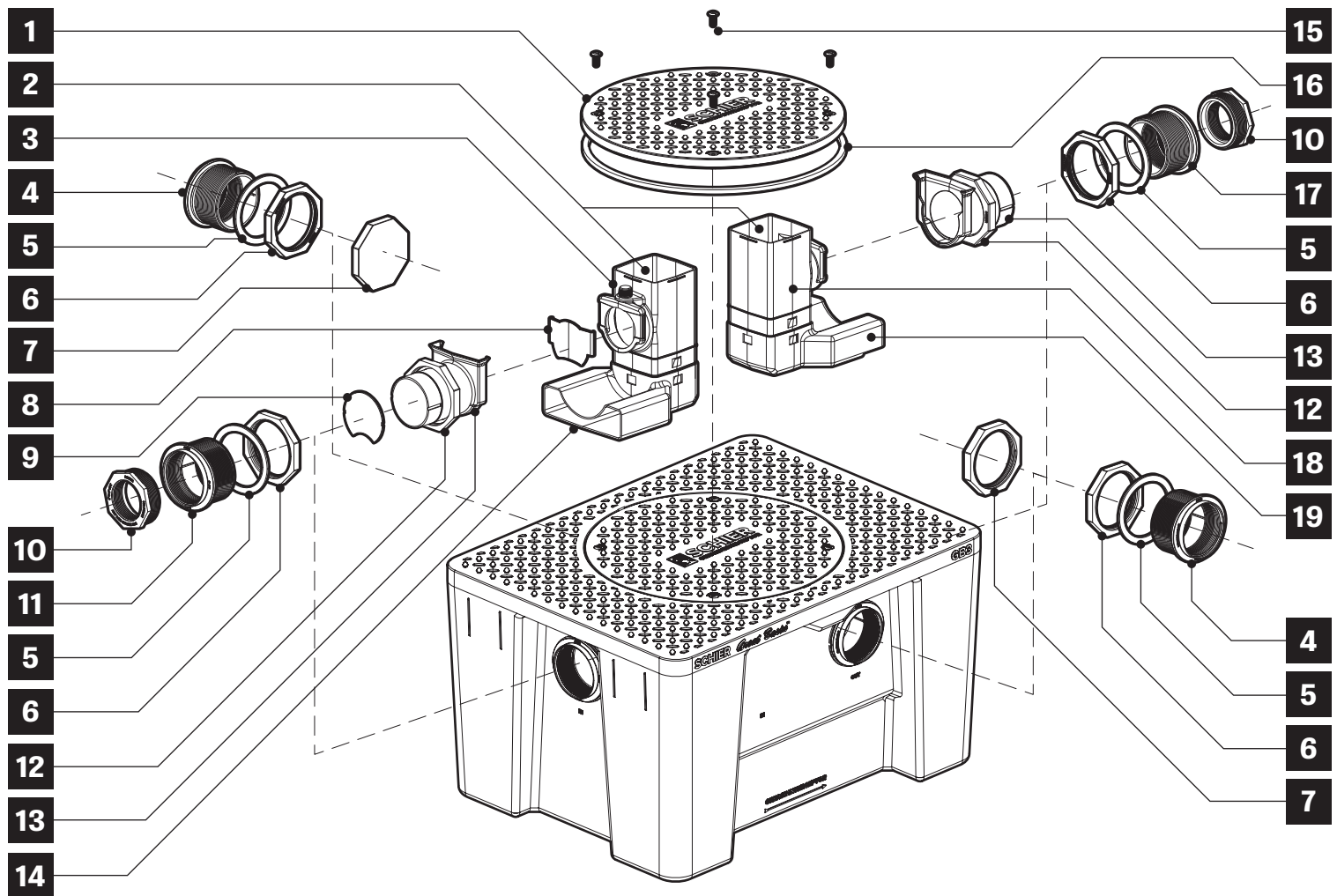


High Water Table Installations

Interceptors and risers are not designed to withstand water table height in excess of the top of the unit when buried (see figure). If it is possible for this to occur, install the interceptor and risers in a water-tight concrete vault or backfill with concrete or flowable fill (wet concrete and flowable backfill should be poured in stages to avoid crushing the interceptor). At risk areas include but are not limited to tidal surge areas, floodplains and areas that receive storm water. Failure to follow this guidance voids your warranty. Models GB-50, GB-75, and GB-250 that are direct buried in high water table scenarios must be installed with model AK1 anchor kit or warranty is void.



GETTING TO KNOW THE GB3



- | | |
|--|---|
| 1. Cover | 11. Inlet 4" FPT Connection |
| 2. Air Relief/Visual Access | 12. Saddle Adapter Retaining Nut |
| 3. Inlet Diffuser (Top) | 13. Saddle Adapter |
| 4. Optional Side Outlet 4" FPT | 14. Inlet Diffuser (Foot) |
| 5. Connection Fitting Gasket | 15. Cover Bolts (x4) |
| 6. Bulkhead Retaining Nut | 16. Cover Gasket |
| 7. Test Cap / Sealing Cap | 17. Outlet 4" FPT Connection |
| 8. Standard Installation Flow Control Plate (Red) | 18. Outlet Diffuser (Top) |
| 9. Flow Control Plate (>5' below kitchen only) | 19. Outlet Diffuser (Foot) |
| 10. 4" x 3" FPT Fitting | |

ON THE FLOOR INSTALLATION

Special Precautions

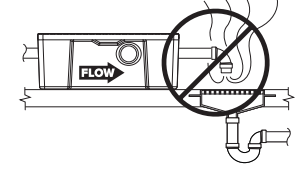
1  **WARNING!**
DO NOT AIR TEST UNIT OR RISER SYSTEM!
 Doing so may result in property damage, personal injury or death.

2

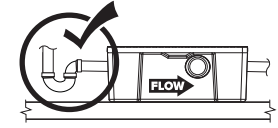
- Read all instructions before installation
- Install in conformance with all local codes

3 Install interceptor as close as possible to fixtures being served

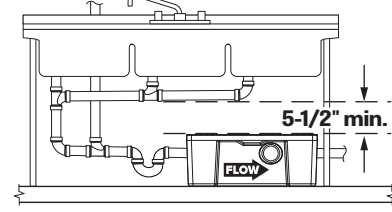
4 **ODOR ALERT!**
 Do not install air gap on outlet side of interceptor.



5 **ODOR ALERT!**
 Interceptor is not a sewer gas trap. All upstream fixtures must be trapped.

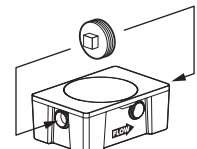


6 Provide at least 5-1/2" clearance above unit for routine maintenance.



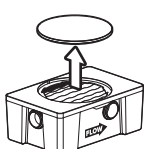
1 Test tank for water tightness

1a



Cap the inlet and outlet connection points with 3" or 4" test plugs

1b

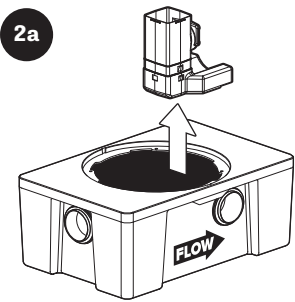


Remove cover and fill unit completely with water. Inspect for leaks.

Leak? Call customer care at 913-951-3300
 8a – 5p M – F CST

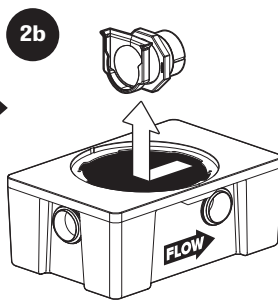
2 (if using a side outlet) Configure outlet diffuser

2a



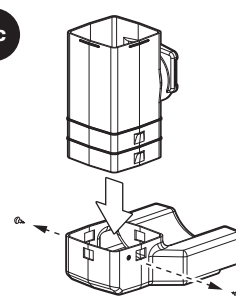
Remove diffuser from saddle.

2b



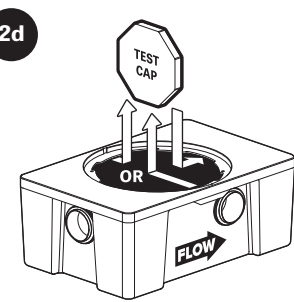
Remove saddle adapter.

2c



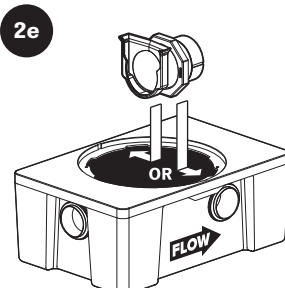
Remove set screws and remove diffuser foot.

2d



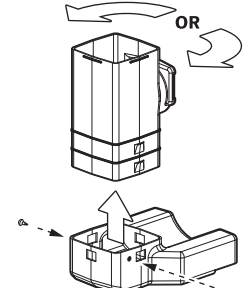
Remove pre-installed test cap from desired outlet and install on straight-through outlet.

2e



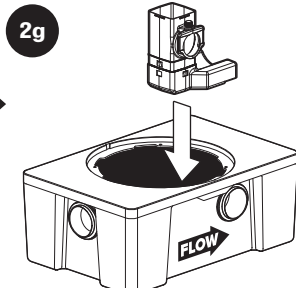
Install saddle adapter on desired outlet.

2f



Rotate diffuser top toward desired outlet, while ensuring foot is pointed toward the back wall of the unit. Reattach to foot using set screws.

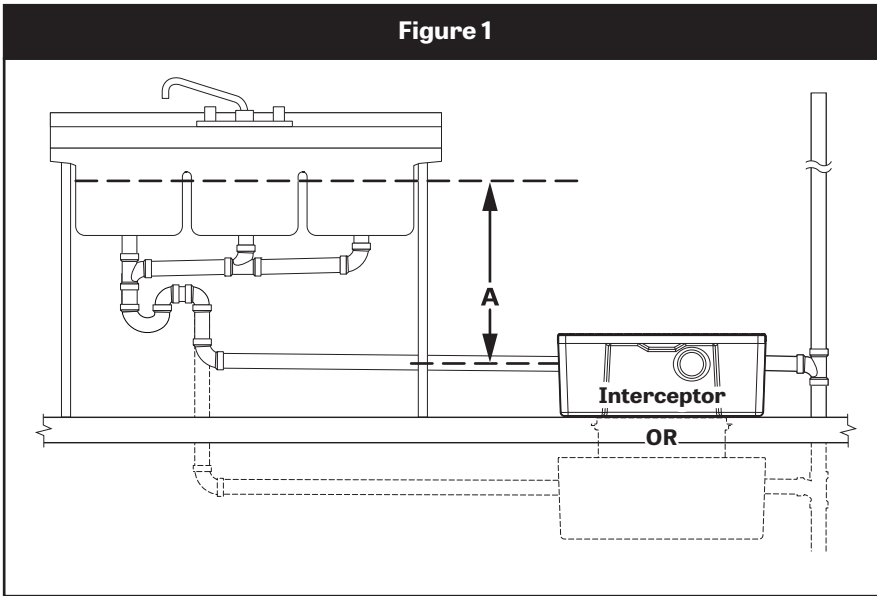
2g



Seat diffuser firmly into saddle

3 Calibrate Flow Control

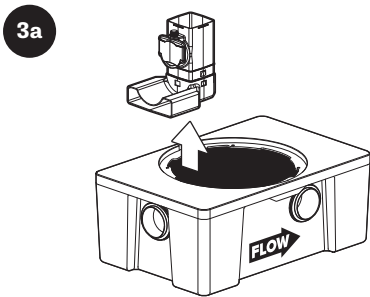
Figure 1



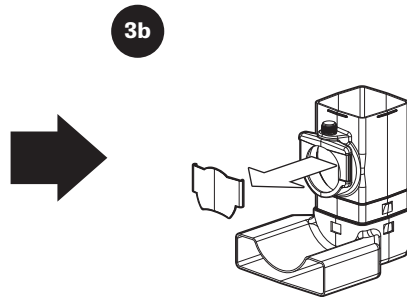
Note to Plumbing Inspector

This interceptor includes certified internal flow control and does not require a dedicated "Flow Control Vent" (air intake).

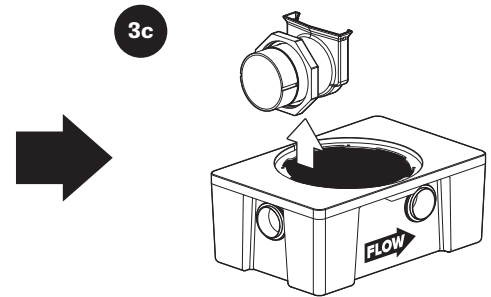
- If dimension "A" above is 5 feet or less **go to Step 4, Connect Piping.**
- If dimension "A" above is greater than 5 feet **follow Steps below.**



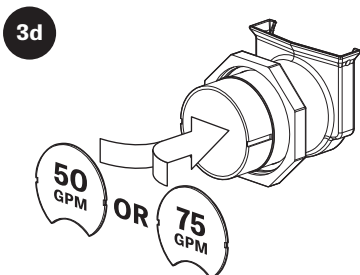
Remove inlet diffuser.



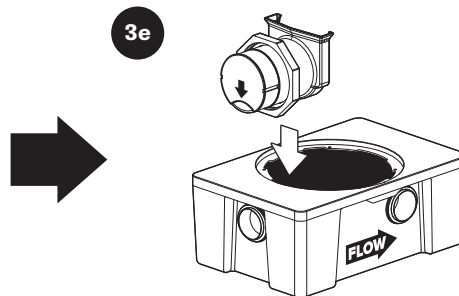
Remove red flow control plate from inlet diffuser and discard.



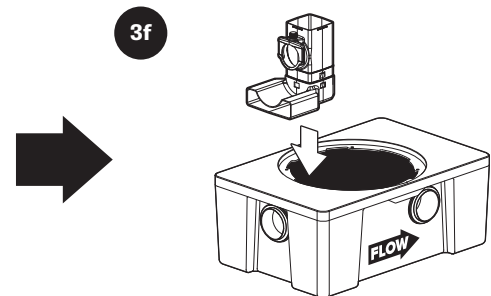
Remove inlet saddle adapter.



Depending on which flow rate is desired, snap-in the "50 GPM" or "75 GPM" white flow control plate as shown on inlet saddle adapter.



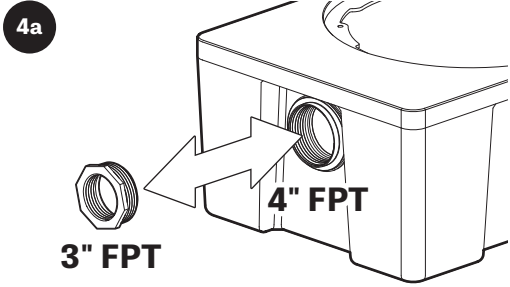
Re-install saddle adapter, ensure flow control plate opening is down as shown.



Seat inlet diffuser firmly into saddle adapter.

ON THE FLOOR INSTALLATION

4 Connect Piping



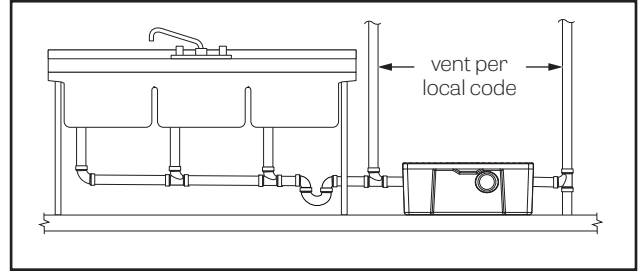
Choose inlet and outlet fittings (included) based on pipe size.



4b

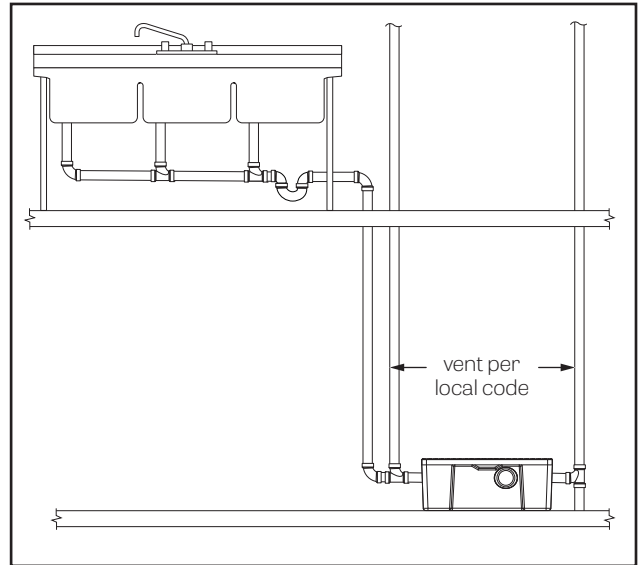
Connect piping using pipe thread sealant or tape that is compatible with plastic fittings. Ensure all upstream fixtures are trapped. Vent per local code.

4b1 Next to Sink



OR


4b2 Floor Below





5 Proceed to "Pipe Test Procedure" Page

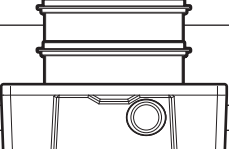
BURIED INSTALLATION


Special Precautions

1  **WARNING!**
DO NOT AIR TEST UNIT OR RISER SYSTEM!
Doing so may result in property damage, personal injury or death.

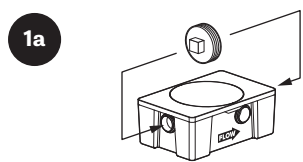
2
 Read all instructions before installation
 Install in conformance with all local codes

3
Install interceptor as close as possible to fixtures being served

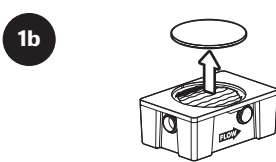
4 **2 Risers (25") Max**


5 **Max Water Level**
Risers are not designed to retain water


1 Test tank for water tightness



Cap the inlet and outlet connection points with 3" or 4" test plugs

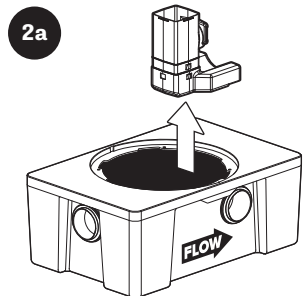


Remove cover and fill unit completely with water. Inspect for leaks.

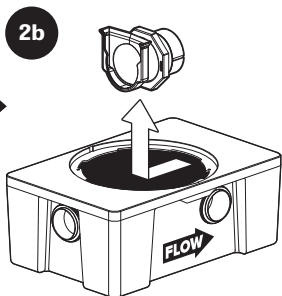


Leak? Call customer care at 913-951-3300
8a – 5p M – F CST

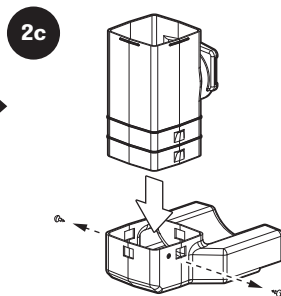
2 (if using a side outlet) Configure outlet diffuser



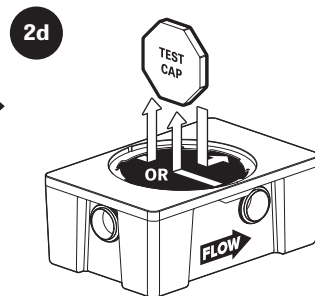
Remove diffuser from saddle.



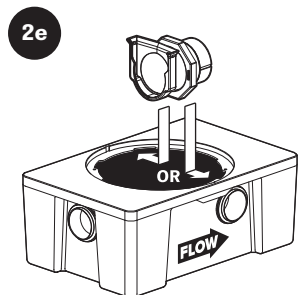
Remove saddle adapter.



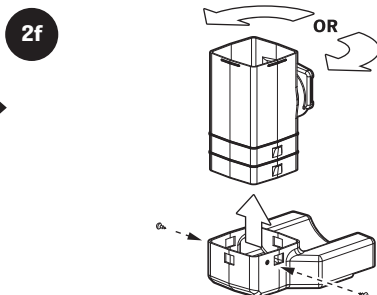
Remove set screws and remove diffuser foot.



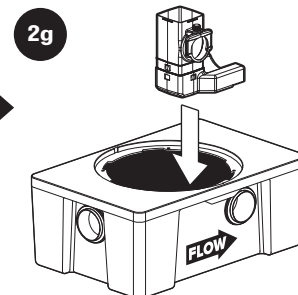
Remove pre-installed test cap from desired outlet and install on straight-through outlet.



Install saddle adapter on desired outlet.

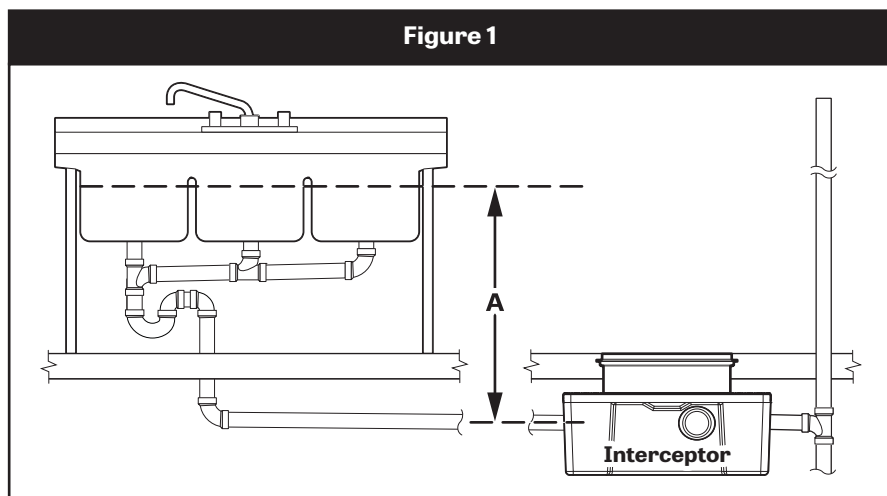


Rotate diffuser top toward desired outlet, while ensuring foot is pointed toward the back wall of the unit. Reattach to foot using set screws.



Seat diffuser firmly into saddle

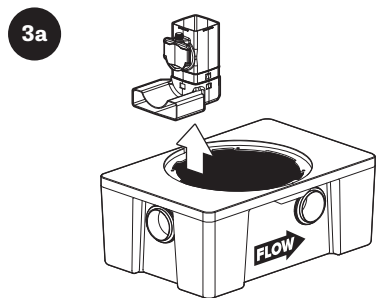
3 Calibrate Flow Control



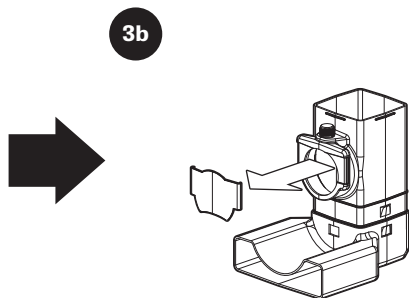
Note to Plumbing Inspector

This interceptor includes certified internal flow control and does not require a dedicated "Flow Control Vent" (air intake).

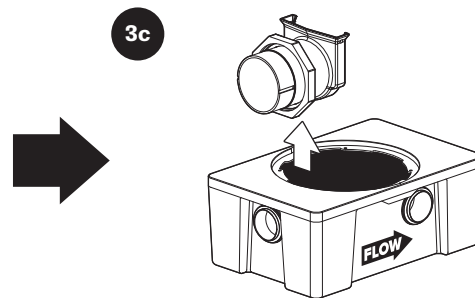
- If dimension "A" above is 5 feet or less **go to Step 4, Connect Piping.**
- If dimension "A" above is greater than 5 feet **follow Steps below.**



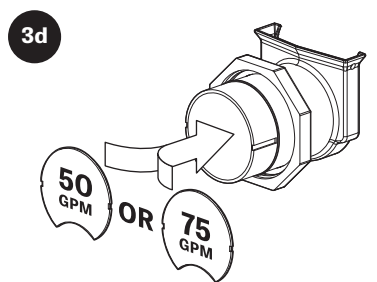
Remove inlet diffuser.



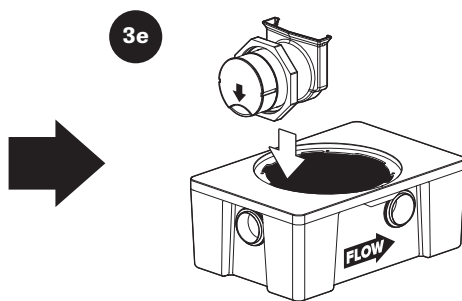
Remove red flow control plate from inlet diffuser and discard.



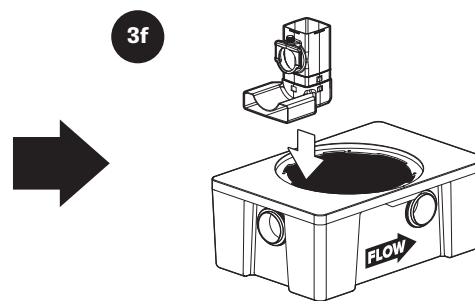
Remove inlet saddle adapter.



Depending on which flow rate is desired, snap-in the "50 GPM" or "75 GPM" white flow control plate as shown on inlet saddle adapter.



Re-install saddle adapter, ensure flow control plate opening is down as shown.



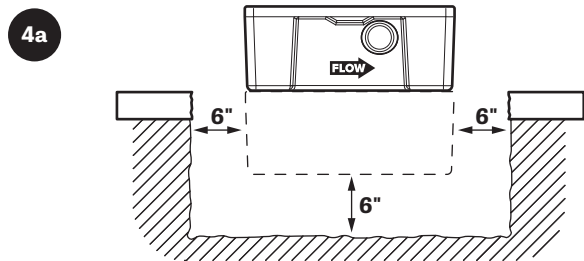
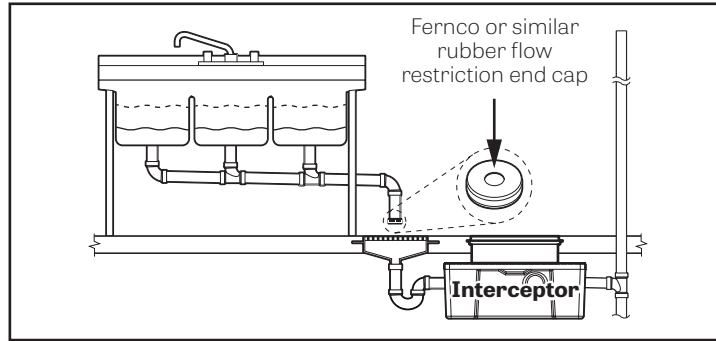
Seat inlet diffuser firmly into saddle adapter.

BURIED INSTALLATION

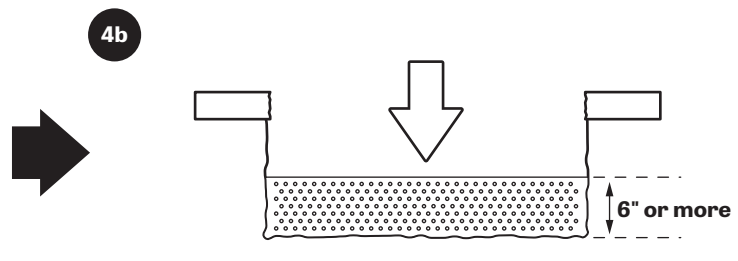
4 Connect Piping

⚠ Floor Sink Installation

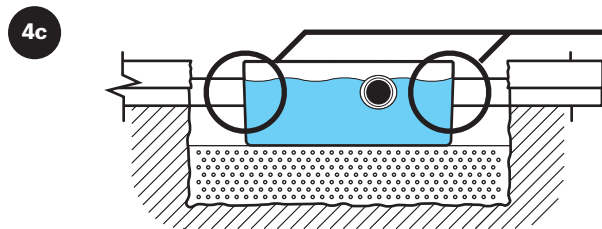
If your dishwashing sink(s) discharges into a floor drain/sink (drain), you must regulate the flow into the drain to avoid an overflow of water onto the kitchen floor. This can be done by installing a valve or flow restriction cap on the sink piping that discharges into the drain.



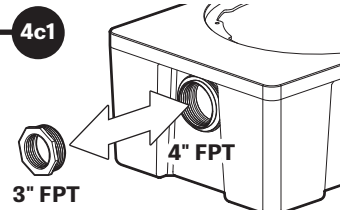
Excavate hole 6" larger than interceptor on all sides.



Add crushed aggregate (approximately 3/4" size rock or sand, with no fines) to base of hole.



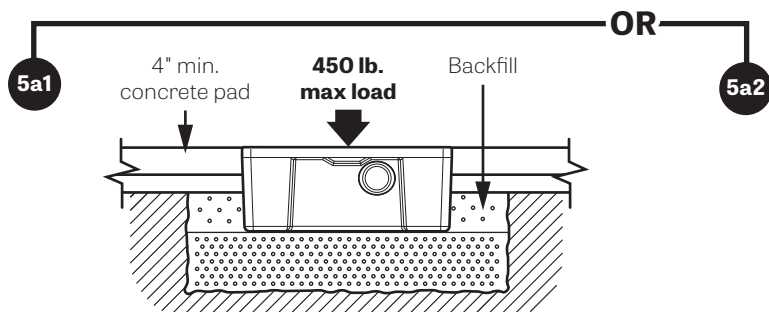
Set interceptor and connect piping using pipe thread sealant or tape that is compatible with plastic fittings, fill tank with water so that it remains in place during backfill.



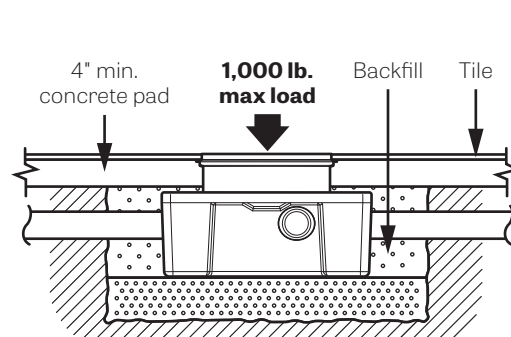
Choose inlet and outlet fittings (included) based on pipe size.



5 Backfill and Finished Grade



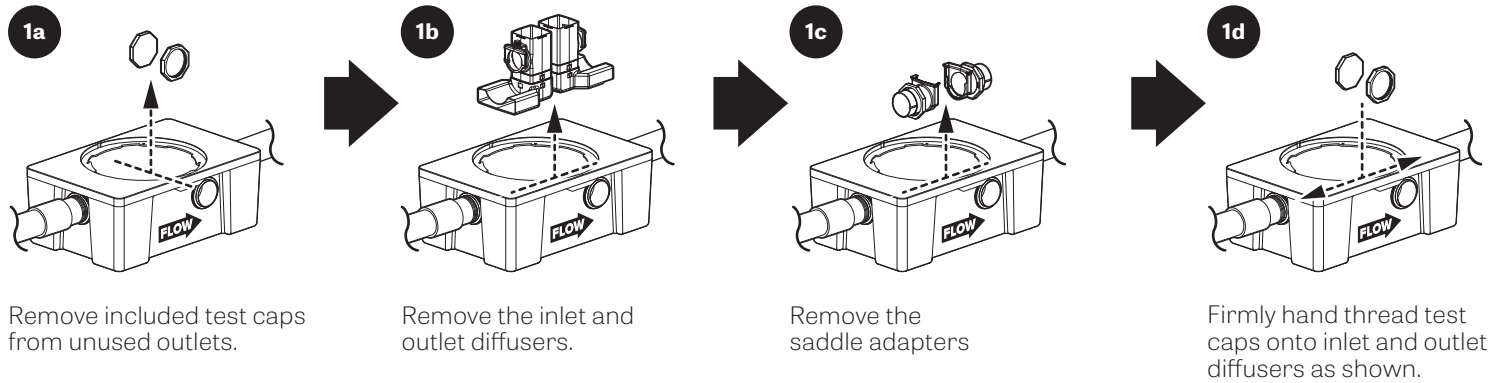
Backfill evenly around tank using crushed aggregate (approximately 3/4" size rock or sand, with no fines), finish with a minimum 4" thick concrete pad. Vent per local code.



See instructions included with FCR1 riser.

PIPE TEST PROCEDURE

1 Reposition Test Caps



2 Wet or Air Test Piping Per Local Code

1  **WARNING!**
DO NOT AIR TEST UNIT OR RISER SYSTEM!
Doing so may result in property damage, personal injury or death.



Leak? Call customer care at 913-951-3300
8a – 5p M – F CST

3 Replace Internal Components to Original Positions

