

SetPoint 511s and 512

Comfort Controllers

Finally, a simple and effective way to sense and control floor and air temperature — with the ability to switch back and forth.

The Wirsbo SetPoint 511s is a one-stage programmable setpoint controller that comes with a floor sensor (A3040079). You can program the 511s to sense the floor and air temperature and — giving you much more comfort control.

The SetPoint 512 is a two-stage programmable controller. Stage one handles the primary radiant floor heating comfort, while stage two delivers supplemental heat as needed. Or if you prefer, the first stage controls the radiant heating needs, while the second stage controls the cooling system.



Why you'll like it:

- One-stage heat or two-stage (heat/heat or heat/cool) for either floor temperature or supplemental heat application
- Heat/Cool auto change-over feature
- Senses air and/or floor with minimum and maximum limits as needed
- 7-day, 24-hour programming capability
- Two to four schedules per day

RADIANT FLOORS

COMFORT HEATING

Why your customers will love it:

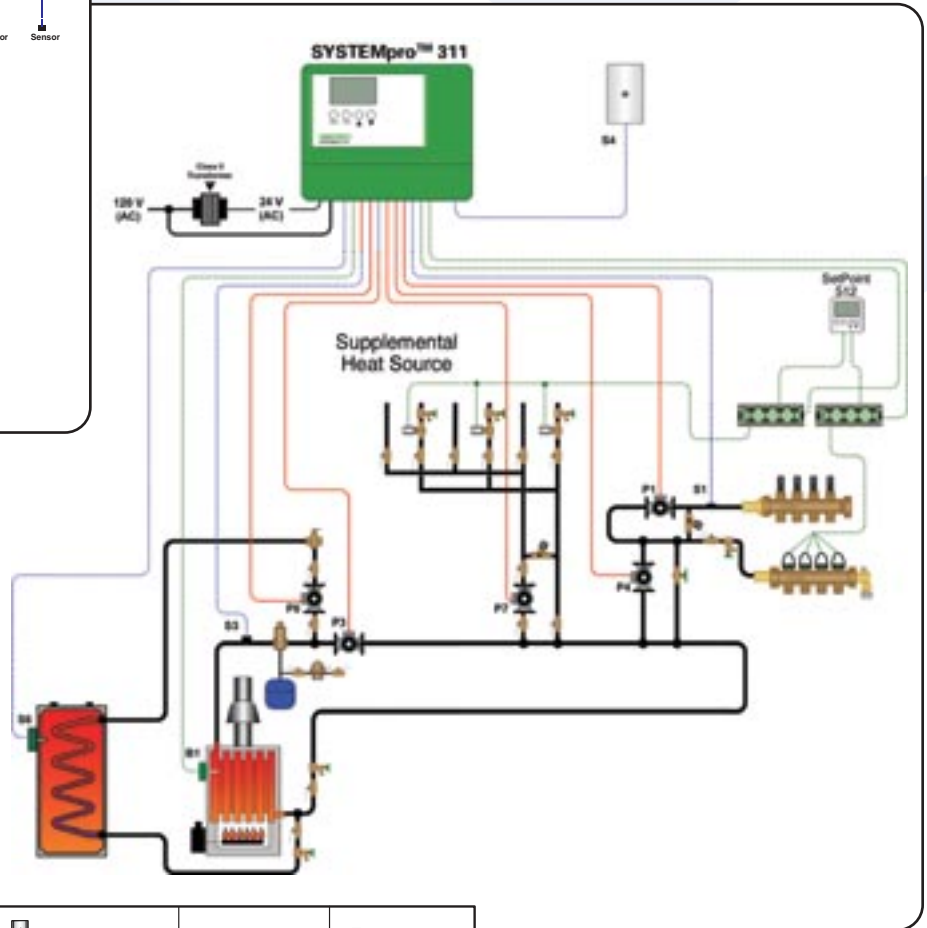
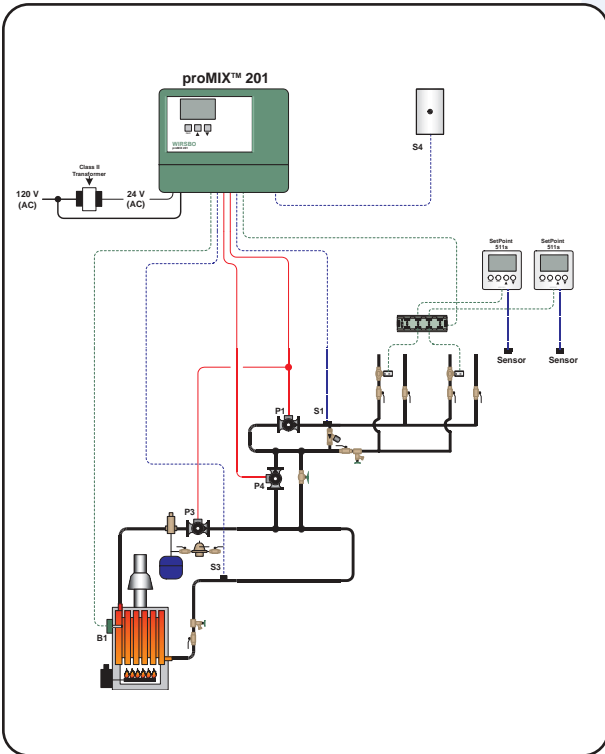
- One easy-to-use programmable control with the flexibility to meet customers' needs
- Early start feature adds intelligence for recovery from setback periods
- Override feature for periods of extended absence
- Four-hour clock back-up (no battery required)
- Easy to read backlit display
- The Wirsbo SetPoint 512 can be used as replacement for chronograph-type thermostats.



Quick Feature Reference

Wirsbo SetPoint 511s and 512

- One-stage heat or two-stage (heat/heat or heat/cool)
- Senses air floor temperatures
- Programmable, 24/7
- Perfect for floor warming or supplemental heat



RADIANT FLOORS
COMFORT HEATING

SYMBOLS	= Pump	= Air Separator & Expansion Tank w/ fill	= Zone Valve	= Ball Valve	= Flow Check
= Floating Action Mixing Valve	= Tempering Valve	= Heat Exchanger	= Pressure By-Pass Valve	= Globe Valve	= Drain Valve

Product Info

Product Name	Part Number
Wirsbo SetPoint 511s (One-Stage programmable, with floor sensor)	A3041511
Wirsbo SetPoint 512 (Two-Stage programmable, heat/heat or heat/cool)	A3040512

Contact your local Wirsbo wholesaler for pricing and availability.

Uponor Wirsbo
5925 148th STREET WEST
APPLE VALLEY, MN 55124

TEL: 800-321-4739
FAX: 952-891-1409
www.wirsbo.com

