

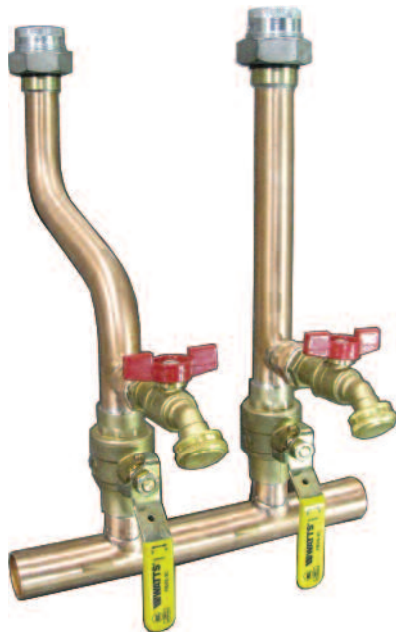
## Timesaver Primary Secondary Piping Manifolds

The Timesaver Primary Secondary Piping Manifolds can help you complete a Prestige boiler installation and be out to the next job quicker than ever. The Timesavers come "Ready to Install" to the Prestige's connections. Key features include:

- Accepts most standard pumps such as Taco "00", Grundfos UPS, Wilo Star, etc.
- Provides properly sized NPT boiler connections and sweat system connections.
- Ball valves enable the boiler and / or pump to be isolated from the heating system for maintenance.

### PT110

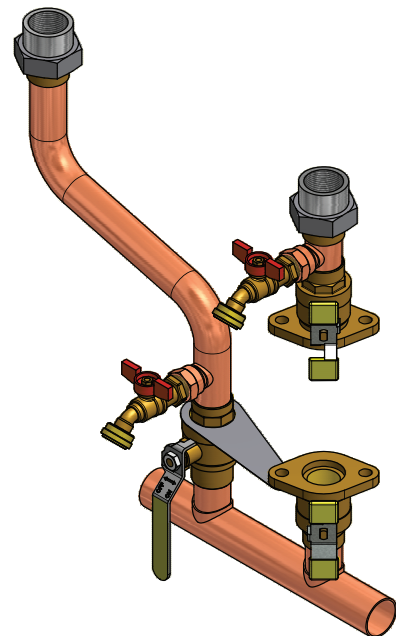
*(Boiler includes a 3 Speed Pump)*



#### Model PTRKIT126

- 1.25" Sweat System Connections
- Boiler Isolation
- Hose bib connections for quick purging and draining of boiler

### PT175/250



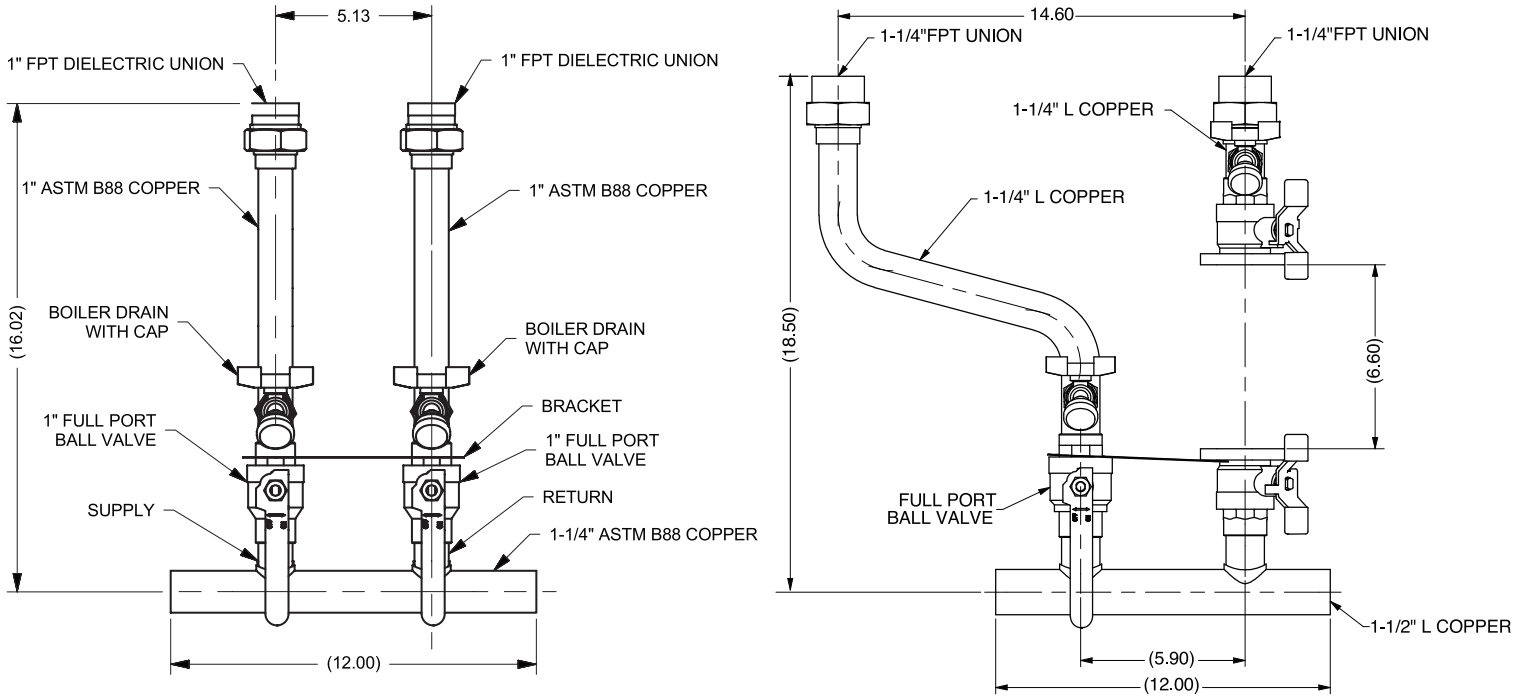
#### Model PTRKIT127

- 1.50" Sweat System Connections
- Boiler and Pump Isolation
- Hose bib connections for quick purging and draining of boiler

# Timesaver

The Timesaver not only cuts your piping design and build time, but it also ensures the piping is leak free and designed to maximize system performance. This reduces rework and call-backs.

## Specifications



**Pump Specification Table**

Pump Manufacturer	Δ T	PRESTIGE 175	PRESTIGE 250
Grundfos	20 F	UPS 15-58 F Speed2	UPS 26-99 F Speed 1
	30 F	UPS 15-58 F Speed 2	UPS 15-58 F Speed 3
	40 F	UPS 15-58 F Speed 2	UPS 15-58 F Speed 3
Taco	20 F	007	0010
	30 F	007	007
	40 F	007	007
Wilo	20 F	Star S 21 F Speed 3	Star 30 F
	30 F	Star S 21 F Speed 2	Star S 21 F Speed 3
	40 F	Star S 21 F Speed 2	Star S 21 F Speed 3

**Note:** A high system (secondary) loop flow rate with a low boiler (primary) loop flow rate will limit the maximum attainable system supply temperature. A low system loop flow rate with a high boiler loop flow rate will limit the boiler output to the system. Size circulators accordingly.