



The Utica Heating 15B Series Boiler is an Affordable Gas-Fired Home Heating Solution with Built-In LWCO Protection

FEATURES

■ **Quality Heat Exchanger Design –**

The 15B Series features a dependable cast iron heat exchanger with cast iron push nipples. The sections and push nipples expand at the same rate when heated. By using similar materials instead of less expensive gaskets, or steel push nipples, the boiler maintains a water tight seal.

■ **Efficiency –**

The 15B Series provides an annual fuel utilization efficiency of 82% as certified by the US Department of Energy.

■ **Easy Installation and Maintenance –**

The 15B Series features a Low Profile Draft Hood and Vent Damper. The low profile, compact design makes it ideal for low clearance installations.

■ **Operating Controls –**

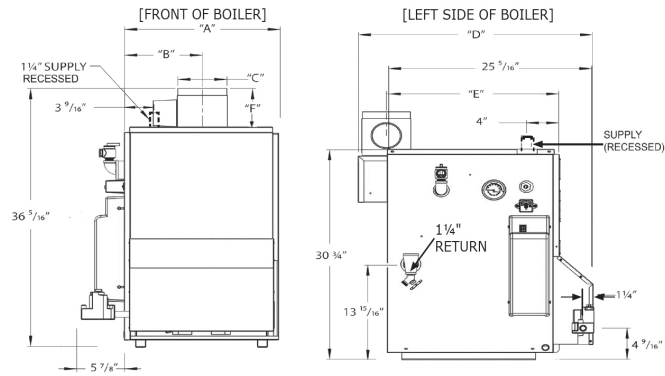
- Honeywell control, with digital display and diagnostics, monitors water temperature and delays burner from starting until the residual heat energy within the boiler is consumed.
- Built-in low water cut-off (LWCO) to protect the boiler from potentially dangerous low water conditions.

■ **Residential Warranty –**

20 Year Limited Heat Exchanger Warranty,
1 Year Limited Component Parts

15B SERIES

Gas-Fired Water Boilers



Dimensions (Inches)					
A	B	C	D	E	F
11 1/4	5 5/8	4	27 1/8	20 7/16	4 15/16
15 1/8	7	5	28 1/8	20 15/16	4 15/16
15 1/8	7	5	28 1/8	20 15/16	4 15/16
19	9 1/2	6	29 1/8	21 7/16	5 7/16
19	9 1/2	6	29 1/8	21 7/16	5 7/16
22 7/8	11 3/16	7	30 1/8	21 15/16	5 15/16
22 7/8	11 3/16	7	30 1/8	21 15/16	5 15/16
26 3/4	13 6/16	8	31 1/8	22 7/16	6 15/16
30 5/8	15 5/16	9	32 1/8	22 15/16	8 15/16

STANDARD EQUIPMENT:

- Boiler Jacket / Burner Enclosure
- LWCO
- Cast-Iron Boiler Battery
- High Limit Control
- Intermittent Electronic Ignition Pilot System
- Vent Damper Relay
- Main Gas Burners
- Combination Gas Control includes:
 - Automatic Gas Valve
 - Gas Pressure Regulator
 - Intermittent Pilot
 - Safety Shut Off
 - Pilot Flow Adjustment
 - Pilot Filter
- A.S.M.E. Relief Valve
- Drain Valve
- Spill Switch
- Rollout Switch
- Automatic Vent Damper
- Wiring Harness
- Non-Linting Safety Pilot

OPTIONAL:

- Propane Option Available
- Central Heating Pump: Taco, Grundfos or Less Pump

Specifications: (All rating and specifications subject to change)

Model	Input Rate (MBH) ⁽¹⁾	Heating Capacity (MBH)	Net AHRI Rating Water (MBH) ⁽²⁾	Natural Gas Inlet	Pump Size Supply & Return Tappings	No. of Burners	Recommended Air Cushion Tank ⁽³⁾	AFUE %
UH15B045FE	45	37	32	1/2"	1 1/4"	1	12	82.0
UH15B070FE	70	57	50	1/2"	1 1/4"	2	15	82.0
UH15B096FE	96	79	69	1/2"	1 1/4"	2	30	82.0
UH15B120FE	120	98	85	1/2"	1 1/4"	3	30	82.0
UH15B145FE	145	119	103	1/2"	1 1/4"	3	30	82.0
UH15B175FE	170	140	122	1/2"	1 1/4"	4	30	82.0
UH15B195FE	195	160	139	1/2"	1 1/4"	4	30	82.0
UH15B245FE	245	201	174	3/4"	1 1/4"	5	30	82.0
UH15B295FE	295	242	210	3/4"	1 1/4"	6	60	82.0



C.S.A Certified For
Natural Gas or Propane

Tested for 100 psi. ASME
Working Pressure



(1) Input rating for sea level to 2,000 ft. (610m) above sea level. United States, over 2000 ft (610m) above sea level. Reduce input rate 4% for every 1,000 ft (304m) above sea level.

(2) Net AHRI Water Ratings shown based on piping and pickup allowance of 1.15. Consult manufacturer before selecting boiler for installations having unusual piping and pickup requirements, such as intermittent system operation, extensive piping systems, etc. For forced hot water systems where boiler and all piping within area to be heated, boiler may be selected on basis of its heating capacity.

(3) Tank sized for non-ferrous baseboard or radiant panel systems. Increase size for cast iron baseboard and radiation.



2201 Dwyer Ave., Utica, NY 13501
Phone: (315) 797-1310
Fax: (800) 432-7329

USA Contractor Assistance:
800-325-5479