

THIS SPACE FOR DESIGNER/ENGINEER APPROVAL

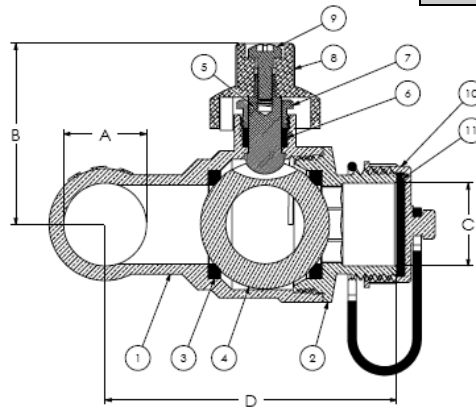
Job/Customer _____	Date _____	Contractor _____
Model Specified _____	Qty _____	Approved By _____
Designer/Engineer _____	Date _____	Contractor's PO# _____
Submitted by _____	Date _____	Other _____

5067 Series
T-Drain™
Full Port Forged Brass Fitting
w/ Hi-Flow Hose Drain
CxC
600 WOG
ISO 9001



ITEM #	SIZE	CTN	CASE	A	B	C	D
50672	1/2"	10	80	1/2	1 3/4	1/2	2 3/16
50673	3/4"	8	48	3/4	2 3/8	1/2	2 13/16
50674	1"	8	48	1	2 13/16	1/2	2 13/16
50675	1 1/4"	6	24	1 1/4	3 3/16	3/4	2 13/16
50676	1 1/2"	4	24	1 1/2	3 3/8	3/4	2 13/16
50677	2"	2	20	2	3 5/8	3/4	3 1/16

NO.	DESCRIPTION	MATERIAL
1	BODY	BRASS
2	END CAP	BRASS
3	SEAT	PTFE
4	BALL	BRASS HCP
5	STEM	BRASS
6	STEM SEAL	PTFE
7	PACKING GLAND	BRASS
8	HANDLE	ENAMEL COATED ALUMINUM
9	HANDLE SCREW	BRASS
10	CAP & STRAP	BRASS W/ EPDM STRAP
11	WASHER	EPDM



TEMP °F	PSI
100	600
150	485
200	395
250	210
300	N/A
350	N/A
366	N/A

Specifications: Designed for residential, commercial or industrial use with water, oil or gas. This approved Webstone valve is actuated by a blowout proof stem and features an adjustable packing gland. Solder joint temperature ratings are per ASME B16.18 Annex A for 95-5 solder. Other solder materials have lower pressure/temperature limits. Do not silver braze or overheat valves when soldering.



Quality and Commitment Since 1954

www.webstonevalves.com · P: (800) 225-9529 · F: (800) 336-5133

Webstone product specifications in U.S. customary units are approximate and are provided for reference only. Webstone reserves the right to change or modify product design, construction, specifications or materials without prior notice and without incurring any obligation to make such changes and modifications on Webstone products previously or subsequently sold.