

Submittal Data Sheet

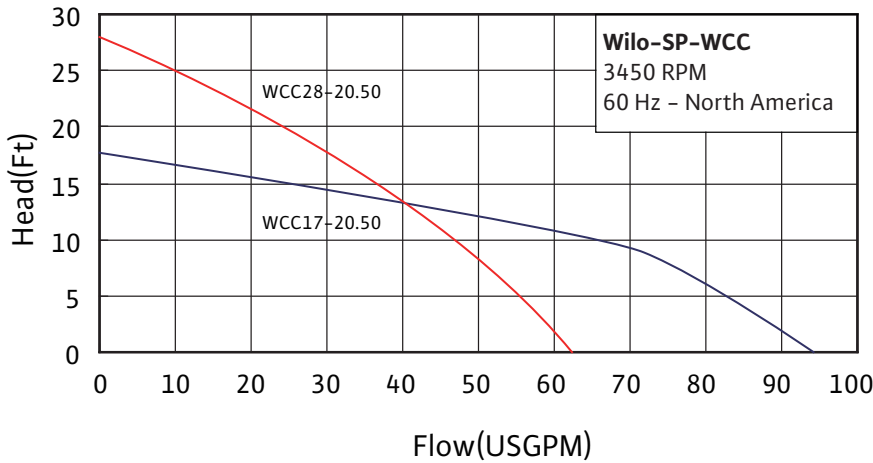
Wilo WCC - Submersible Sewage/Effluent Pumps



Wilo WCC

| | | |
|--|---------------|-------|
| | Project: | |
| | Engineer: | |
| | Contractor: | |
| | Submitted By: | Date: |
| | Approved By: | Date: |

| Tag # | Model # | Flow | Head | HP | Cycle | Phase | Voltage | RPM |
|-------|-------------|------|------|----|-------|-------|---------|------|
| | WCC28-20.50 | | | ½ | 60Hz | 1 | 115 | 3450 |
| | WCC17-20.50 | | | ½ | 60Hz | 1 | 115 | 3450 |

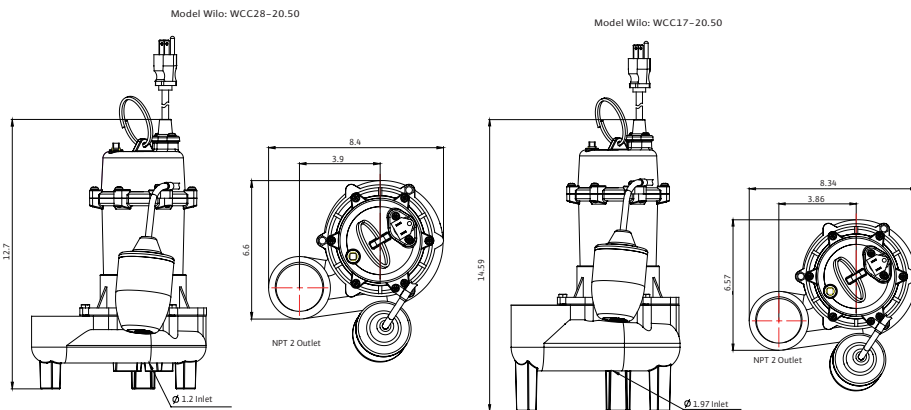


| Technical Data | |
|-----------------|------------------|
| Temp Range: | Max.131°F (55°C) |
| Power Supply | 1-115v |
| Discharge Size: | 2" NPT |

| Materials of Construction | |
|---------------------------|---------------|
| Motor Housing | Cast Iron |
| Pump volute | Cast Iron |
| Impeller | Thermoplastic |

| Motor Data | | | | |
|-------------|---------|-----------|---------|-------------|
| Model | P2 [HP] | Phase [-] | FLA [A] | Voltage [V] |
| WCC28-20.50 | ½ | 1 | 5 | 115 |
| WCC17-20.50 | ½ | 1 | 6 | 115 |

| Applications | |
|---------------------|------------|
| • Sewage & Effluent | • Drainage |



Approval Stamp